

PHOTOFACT® Folder

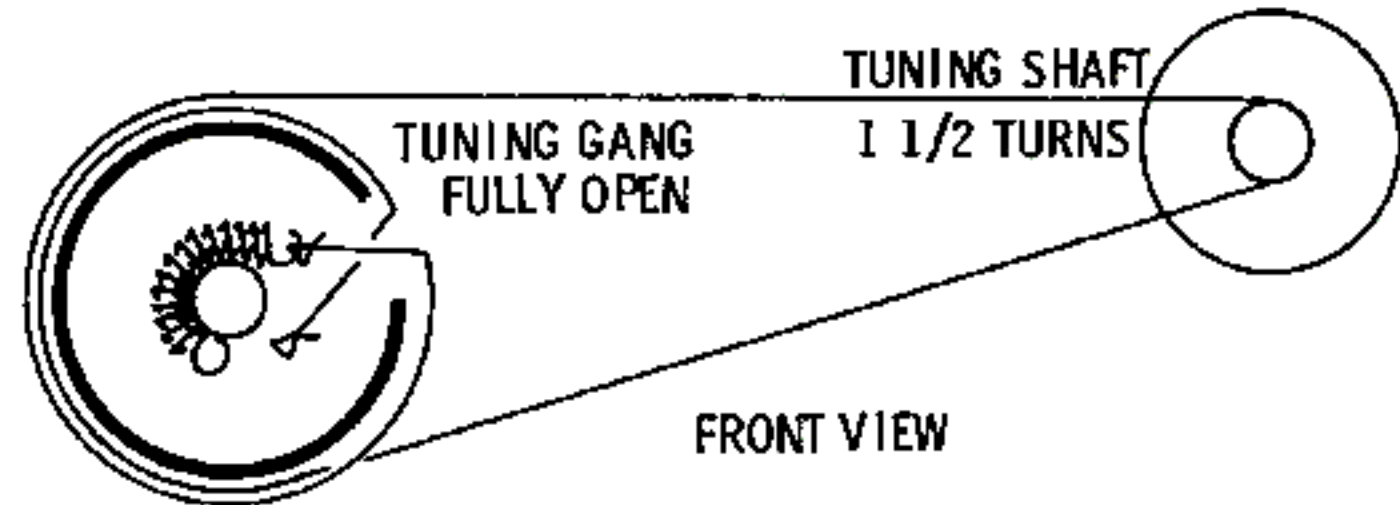
with CIRCUITRACE

WESTINGHOUSE CHASSIS  
V-2403-1 (Late), V-2403-3 -4 -5



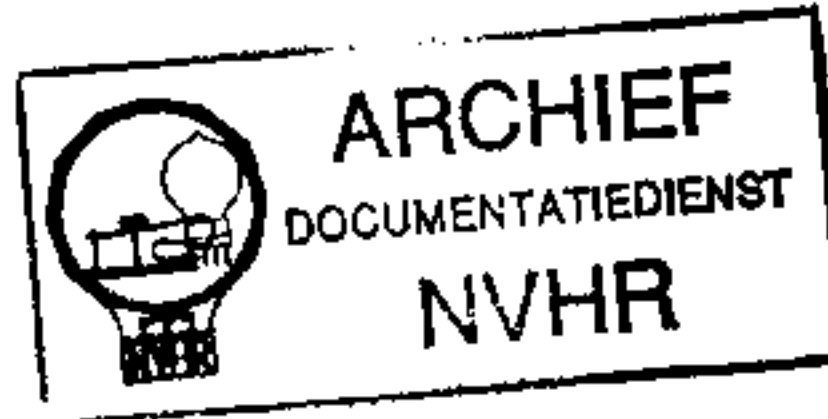
MODEL H-796 P6

## DIAL CORD STRINGING



Met dank aan Jef Bos

Ned. Ver. v. Historie v/d Radio



WESTINGHOUSE CHASSIS  
V-2403-1 (Late), V-2403-3/-4/-5

TRADE NAME	Westinghouse Models	H-795P6, H-795P6A, H-795P6GP, H-795P6GPA, H-796P6, H-796P6A, H-796P6GP, H-796P6GPA (Ch. V-2403-3, V-2403-5); H-798P7, H-798P7GP, H-799P7, H-799P7GP (Ch. V-2403-4); H-798P7A, H-798P7GPA, H-799P7A, H-799P7GA (Ch. V-2403-1 late)
MANUFACTURER	Westinghouse Electric Corp., TV-Radio Div., Metuchen, N. J.	
TYPE SET	Battery Operated Transistorized Portable AM Receiver	
POWER SUPPLY	3 Volts DC	RATING 12MA@3 Volts DC (No Signal, Min. Volume) 18MA@3 Volts DC (Signal, Normal Volume)
TUNING RANGE	540 - 1625KC	

## ALIGNMENT INSTRUCTIONS

### ALIGNMENT INSTRUCTIONS—READ CAREFULLY BEFORE ATTEMPTING ALIGNMENT

Use only signal generator output to provide a usable indication.

Suggested Alignment Tools

- A1, A2, A3..... GENERAL CEMENT #5097, 8727  
WALSCO FILE
- A5..... GENERAL CEMENT #9440
- A4, A5..... GENERAL CEMENT #5009, 8195, 8274, 8275, 8728, 8729, 8987, 8988, 8989  
WALSCO FILE 151, 2532

	SIGNAL GENERATOR COUPLING	SIGNAL GENERATOR FREQUENCY	WDC DA SETTING	CONNECT VTVM	ADJUST	REMARKS
1.	Fashion loop of several turns of wire and place signal into loop of circuit	1000	1000	Across Volume Control	A1, A2, A3	Adjust for maximum deflection.
2.	"	1000	"	"	A4	"
3.	"	1000	1000	"	A5	Adjust for maximum deflection while rocking tuning gang. Repeat Steps 2 & 3.
4.	"	1000	1000	"	A4	Adjust for maximum deflection.

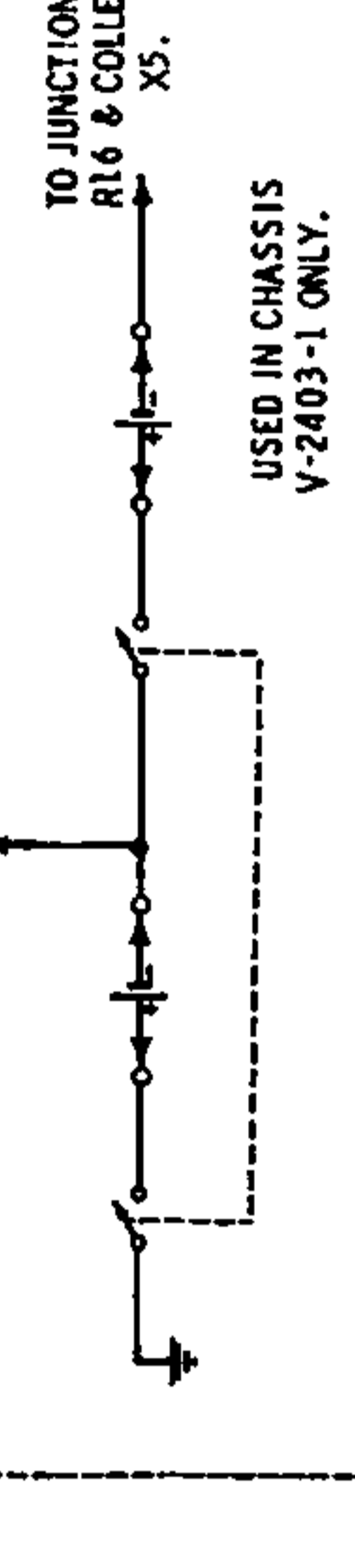
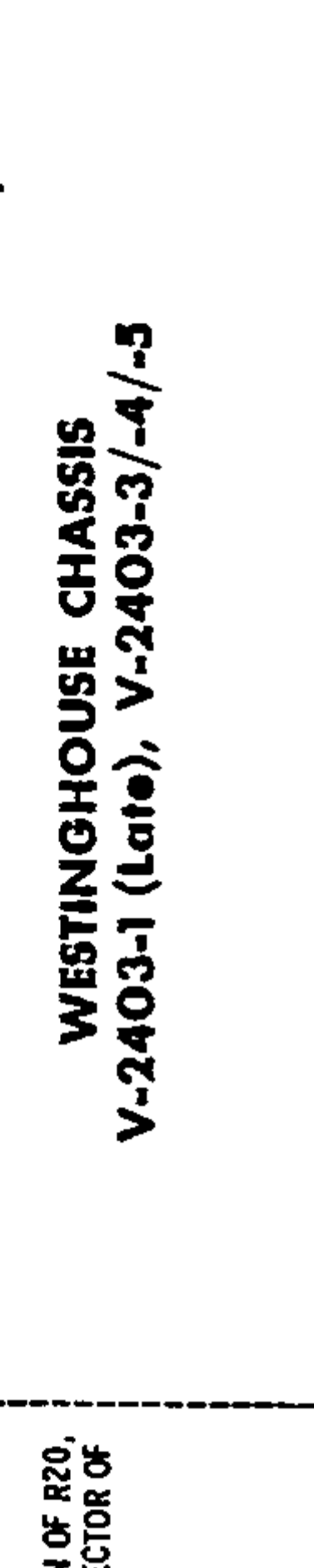
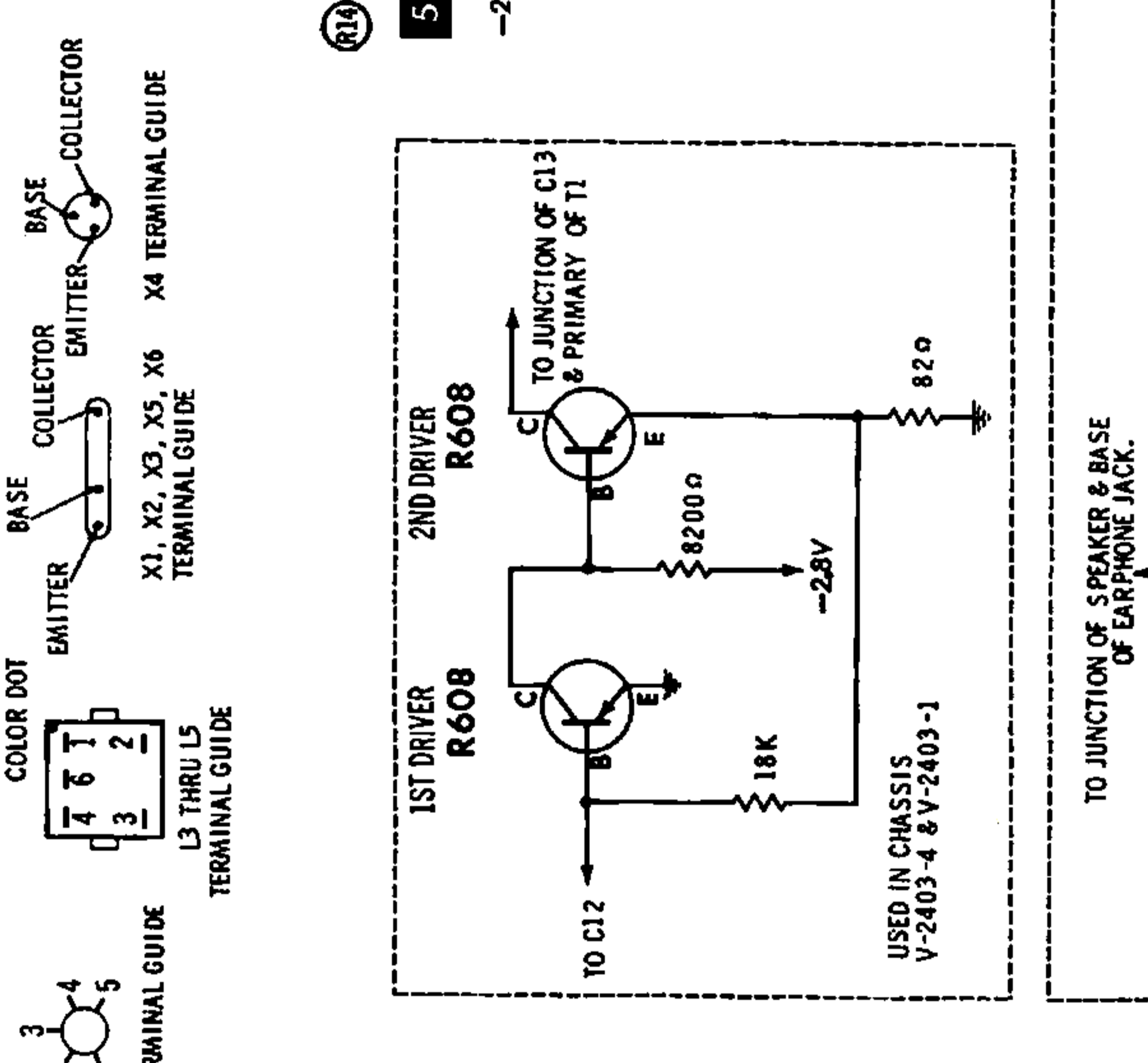
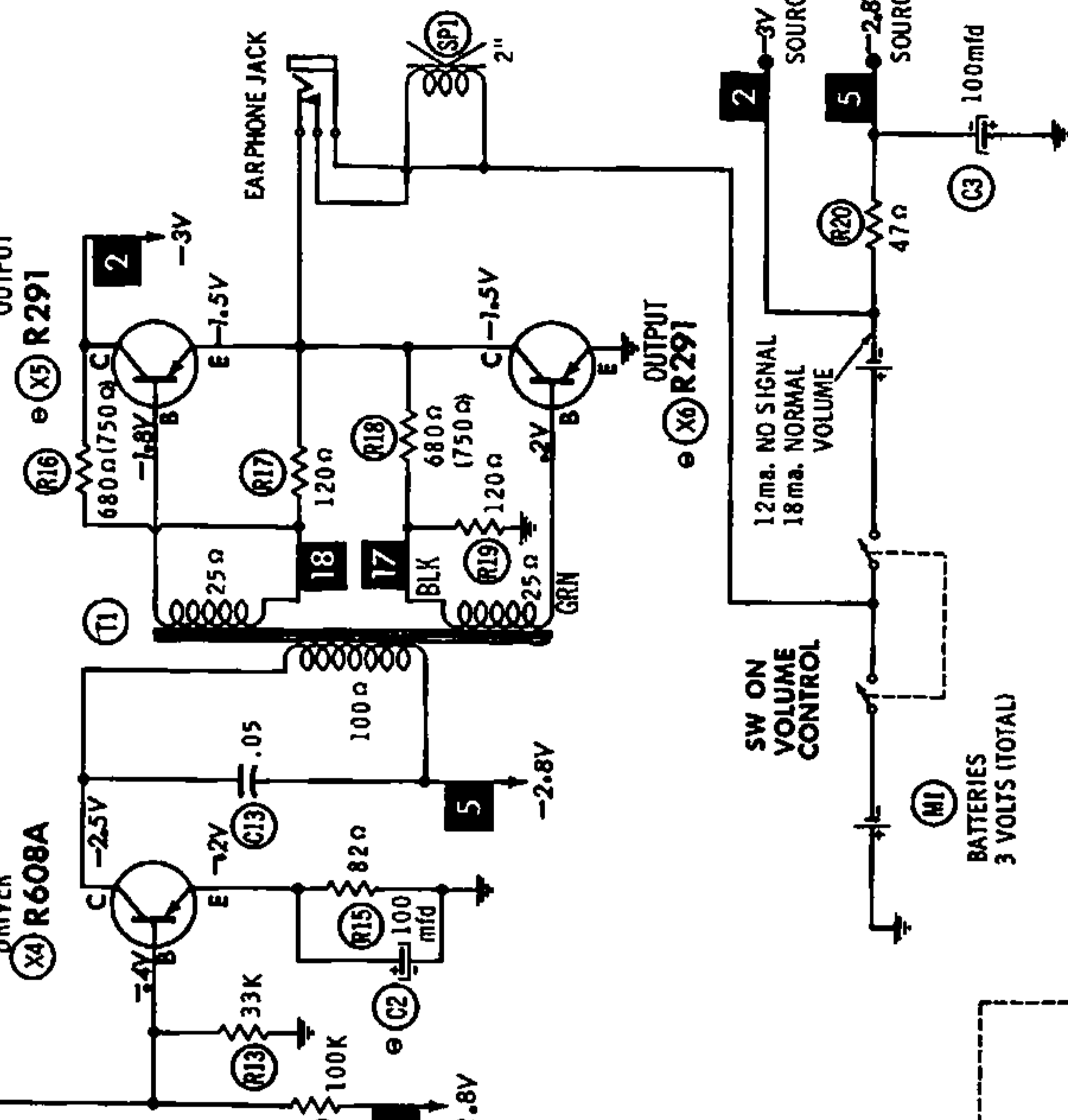
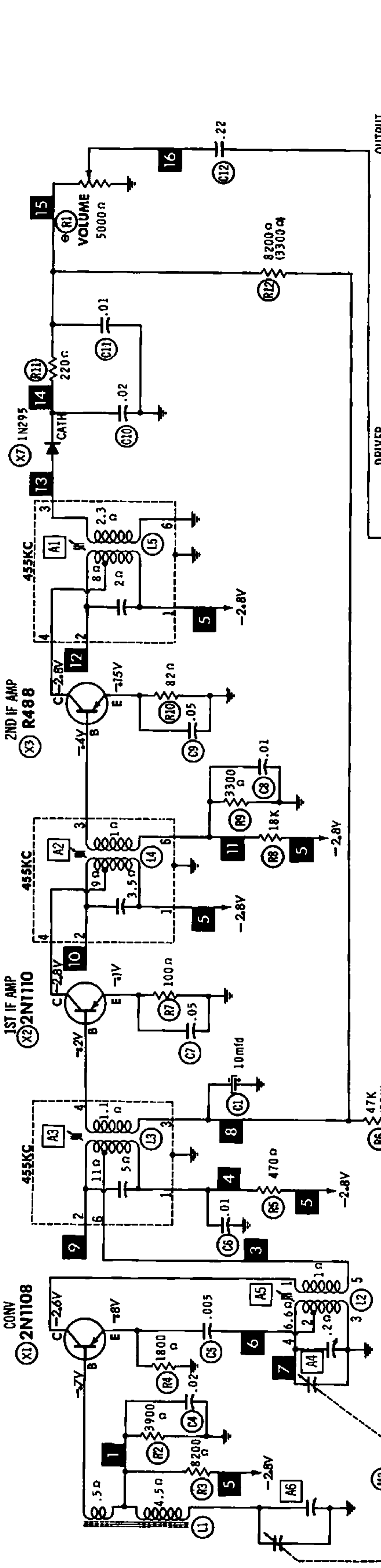
HOWARD W. SAMS & CO., INC. Indianapolis 6, Indiana

The listing of any available replacement parts does not constitute in any case a recommendation, warranty or guaranty by Howard W. Sams & Co., Inc., as to the quality and suitability of such replacement part. The listing of these parts have been compiled from information furnished to Howard W. Sams & Co., Inc., by the manufacturers of LF535

The listing of any available replacement part listed. Reproduction or use without express permission, of editorial or technical content in any manner, is prohibited. No patent liability is assumed with respect to the use of the information contained herein. © 1962 Howard W. Sams & Co., Inc., Indianapolis 6, Indiana. Printed in U.S. of America







- SEE PARTS LIST FOR ALTERNATE VALUE OR APPLICATION
- RESISTANCE MEASUREMENTS NOT GIVEN BECAUSE OF THE WIDE VARIATION IN INTERNAL TRANSISTOR RESISTANCE. NUMBERS ASSIGNED TO COILS, SWITCHES, PLUGS, SOCKETS, AND TRANSFORMERS ARE TO FACILITATE CIRCUIT TRACING OR COMPONENT REPLACEMENT AND MAY NOT NECESSARILY BE FOUND ON THE UNIT.
- DC voltage measurements taken with vacuum tube voltmeter.
  - Socket connections or transistor terminals are shown as bottom views.
  - Measured values are from socket pin or terminal to common ground.
  - Nominal tolerance on component values makes possible a variation of  $\pm 15\%$  in voltage and resistance readings.
  - Volume control at maximum, no signal applied for voltage measurements.

A PHOTOFACIT STANDARD NOTATION SCHEMATIC with **CIRCUITRY**

© Howard W. Burns & Co., Inc. 1962

**WESTINGHOUSE CHASSIS  
V-2403-1 (Late), V-2403-3/-4/-5**

# PARTS LIST AND DESCRIPTIONS

## WIRING DATA

General-use Unshielded Hook-up Wire ..... Use BELDEN No. 8530 (Solid 22AWG) Available in 12 Colors  
 8524 (Stranded 22AWG)  
 8570 (Stranded 26AWG)

### TRANSISTORS

ITEM No.	ORIG. TYPE	USE	REPLACEMENT DATA			NOTES
			GENERAL ELECTRIC PART No.	RCA PART No.	RAYTHEON PART No.	
X1	2N1108	Converter	01G-1	2N1108A	2N4108	PNP
X2	2N1110	1st IF Amplifier	01G-1	2N1110A	2N4110	PNP
X3	R488	2nd IF Amplifier	01G-1	2N1108A	2N4108	PNP
X4	R608A	Driver	01G-2	2N4108	2N4108	PNP
X5	R291	Output	01G-2	2N4108	2N4108	PNP
X6	R368 ♦	Output	01G-2	2N4108	2N4108	PNP
	R291					
	R368 ♦					Matched Pair

♦ Alternate

### POWER RECTIFIERS & SIGNAL DIODES

ITEM No.	ORIG. TYPE (Manufacturer)	ORIGINAL Part or Type No.	RECTIFIERS		DIODES	NOTES
			RCA PART No.	MARKIN IANZIAN PART No.	RAYTHEON PART No.	
R1	600V1000H01				1N295	Detector (1N295)

### ELECTROLYTIC CAPACITORS

ITEM No.	RATING		Westinghouse PART No.	REPLACEMENT DATA					
	µF	VOLT		AEROVOX PART No.	CORNELL-DUBILIER PART No.	GENERAL ELECTRIC PART No.	MALLORY PART No.	PYRAMID PART No.	SPRAGUE PART No.
C1	100	50	WV1000H04	PT100	NLW10-8	MT1-5	TT6X10	MLV10-3	TE-1053
C2	100	50	WV1000H04 (1)	PT100	NLW100-12	MT1-18	TT6X100	MLV100-6	TE-1102
C3	100	50	WV1000H04	PT100	NLW100-12	MT1-18	TT6X100	MLV100-8	TE-1102

(1) Not used in Chassis V-2403-1 (late production), V-2403-4.

### FIXED CAPACITORS

ITEM No.	RATING	REMARKS	REPLACEMENT DATA					
			AEROVOX PART No.	CENTRALAB PART No.	CORNELL-DUBILIER PART No.	ELMENCO PART No.	MALLORY PART No.	SPRAGUE PART No.
C4	.02 50V		BPD-02	DDM-203	H-05S2	CCD-203	TA-120	TG-S20
C5	.005 50V		BPD-005	DDM-502	H-05D5	CCD-502	TA-250	TG-D50
C6	.01 50V		BPD-01	DDM-103	H-05S1	CCD-103	TA-110	TG-S10
C7	.05 10V		BPD-05	UK10-503	H-05S5		TA-150	TG-S50
C8	.01 50V		BPD-01	DDM-103	H-05S1	CCD-103	TA-110	TG-S10
C9	.05 10V		BPD-05	UK10-503	H-05S5		TA-150	TG-S50
C10	.02 50V		BPD-02	DDM-203	H-05S2	CCD-203	TA-120	TG-S20
C11	.01 50V		BPD-01	DDM-103	H-05S1	CCD-103	TA-110	TG-S10
C12	.22 3V			UK-224				HY-125
C13	.05 10V		BPD-05	UK10-503	H-05S5		TA-150	TG-S50

### CONTROLS

All wattages 1/2 watt, or less, unless otherwise listed.

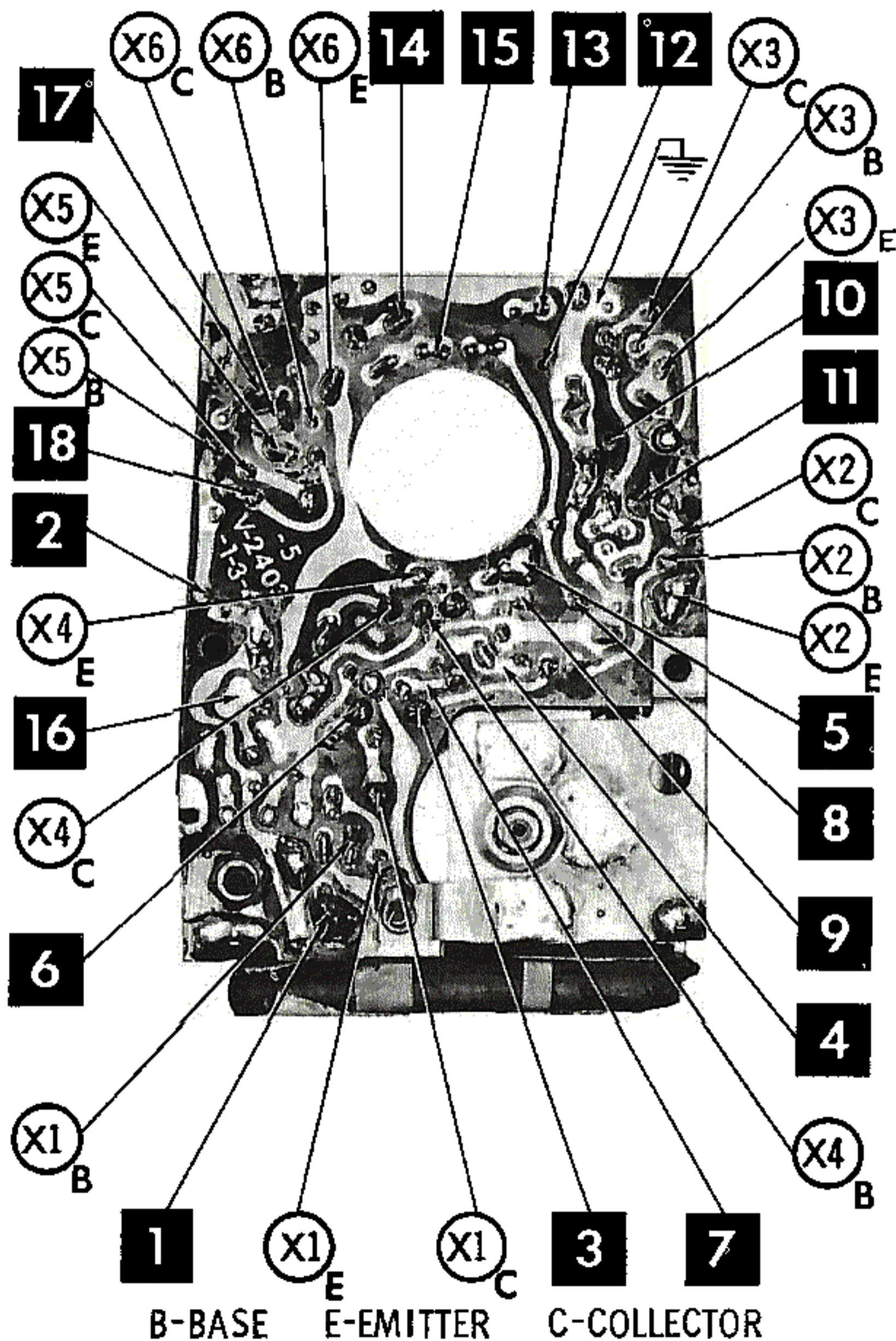
ITEM No.	USE	RESISTANCE	REPLACEMENT DATA				
			Westinghouse PART No.	CENTRALAB PART No.	CLAROSTAT PART No.	CTS-IRC PART No.	MALLORY PART No.
R1	Volume & Switch	5000Ω	270V104H01①				

① Chassis V-2403, V-2403-4. Part #270V090H01 used in Chassis V-2403-1 (late production)  
 Part #270V090H02 used in Chassis V-2403-5.



# PRINTED BOARD

A Howard W. Sams **CIRCUITRACE** Photo



# PARTS LIST AND DESCRIPTIONS (Continued)

## RESISTORS

All wattages 1/2 watt, or less, unless otherwise listed.

ITEM No.	RATING	REPLACEMENT DATA			ITEM No.	RATING	REPLACEMENT DATA		
		IRC PART No.	WORKMAN PART No.	REMARKS			IRC PART No.	WORKMAN PART No.	REMARKS
R2	3900Ω			(39K) †	R12	8200Ω			(3300Ω) †
R3	8200Ω				R13	33K			
R4	1800Ω				R14	100K			
R5	470Ω				R15	82Ω			
R6	47K				R16	680Ω			(750Ω) *
R7	100Ω				R17	120Ω			
R8	18K				R18	680Ω			(750Ω) *
R9	3300Ω				R19	120Ω			
R10	82Ω				R20	47Ω			
R11	220Ω								

† Value used in Chassis V-2403-1 (late Version), V-2403-4.

\* Value used in Chassis V-2403-1/-3/-5 (late production), V-2403-4.

## COILS (RF-IF)

ITEM No.	USE	REPLACEMENT DATA					NOTES
		Westinghouse PART No.	Merit PART No.	Miller PART No.	Stancor PART No.	Workman PART No.	
L1	Loopstick	310V070H01					
L2	Osc.	230V090H01					
L3	1st IF	235V066H04	TE654				
L4	2nd IF	235V066H02					
L5	3rd IF	235V066H03					

## TRANSFORMER (DRIVER)

ITEM No.	TURNS RATIO		REPLACEMENT DATA					NOTES
	PRI.	SEC. 1	Westinghouse PART No.	Merit PART No.	Stancor PART No.	Thordarson PART No.	Triad PART No.	
		SEC. 2						
T1	2	1	430V096H01					
		SEC. 2						
		1						

## SPEAKER

ITEM No.	TYPE			REPLACEMENT DATA		NOTES
	SIZE	FIELD	V. C. IMP.	Westinghouse PART No.	QUAM PART No.	
SP1	2"	PM	6-8Ω	570V080H02		

## BATTERIES

ITEM No.	VOLTAGE	Westinghouse PART No.	REPLACEMENT DATA						NOTES
			BURGESS		EVEREADY		MALLORY		
			"A"	"B"	"A"	"B"	"A"	"B"	
B1	1½V			930		1015		M-15R	2 Required

## MISCELLANEOUS

ITEM No.	PART NAME	Westinghouse PART No.	NOTES
M2	Tuning Cap.	330V035H01	2 Gang

## CABINETS & CABINET PARTS

(When Ordering Cabinets & Cabinet Parts, Specify Model, Chassis & Color)

NAME	PART NO.	DESCRIPTION
Knob, Volume	660V140H01	Chassis V-2403-3, V-2403-1 Chassis V-2403-3, V-2403-4
Knob, Volume	660V140H02	
Knob, Tuning	660V147H01	



**CHASSIS—TOP VIEW**

