

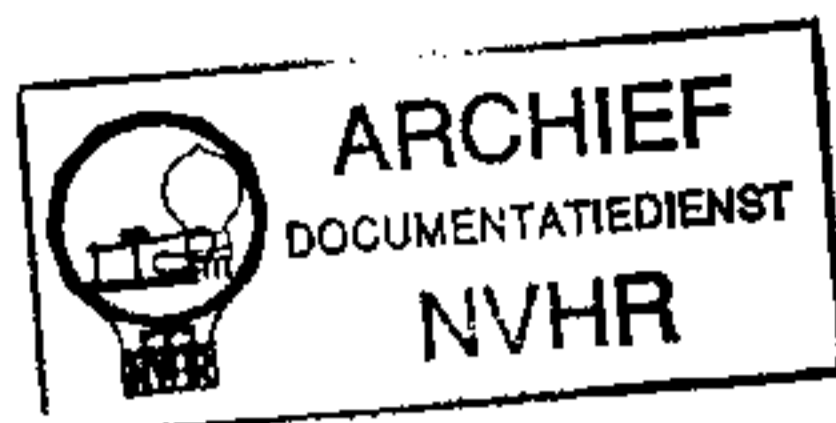
PHOTOFACT® Folder

with CIRCUITRACE®

WESTINGHOUSE MODEL
H-793P6GP (CH. V-2397-5)



Ned. Ver. v. Historie v/d Radio



Met dank aan Jef Bos



TRADE NAME	Westinghouse Model H-793P6GP (CH. V-2397-5)		
MANUFACTURER	Westinghouse Electric Corp., Radio - TV Div., Metuchen, N. J.		
TYPE SET	Battery Operated Transistorized Portable AM Receiver		
POWER SUPPLY	6 Volts DC	RATING	9MA @ 6 Volts DC (No Signal, Min. Volume)
TUNING RANGE—BROADCAST	540 — 1625KC		15MA @ 6 Volts DC (Signal, Normal Volume)

ALIGNMENT INSTRUCTIONS

ALIGNMENT INSTRUCTIONS—READ CAREFULLY BEFORE ATTEMPTING ALIGNMENT

Volume control should be at maximum position. Output of signal generator should be no higher than necessary to obtain an output reading.

Suggested Alignment Tools:

- A1, A2, A3..... GENERAL CEMENT #5009, 8195, 8274, 8275, 8728, 8729, 8987, 8988, 8989
WALSCO #2515, 2531, 2532
- A4, A6..... GENERAL CEMENT #5004, 5008, 5009
WALSCO #2520
- A5..... GENERAL CEMENT #8282, 8606, 8606-L, 9295, 9440
WALSCO #2526, 2543, 2544, 2545

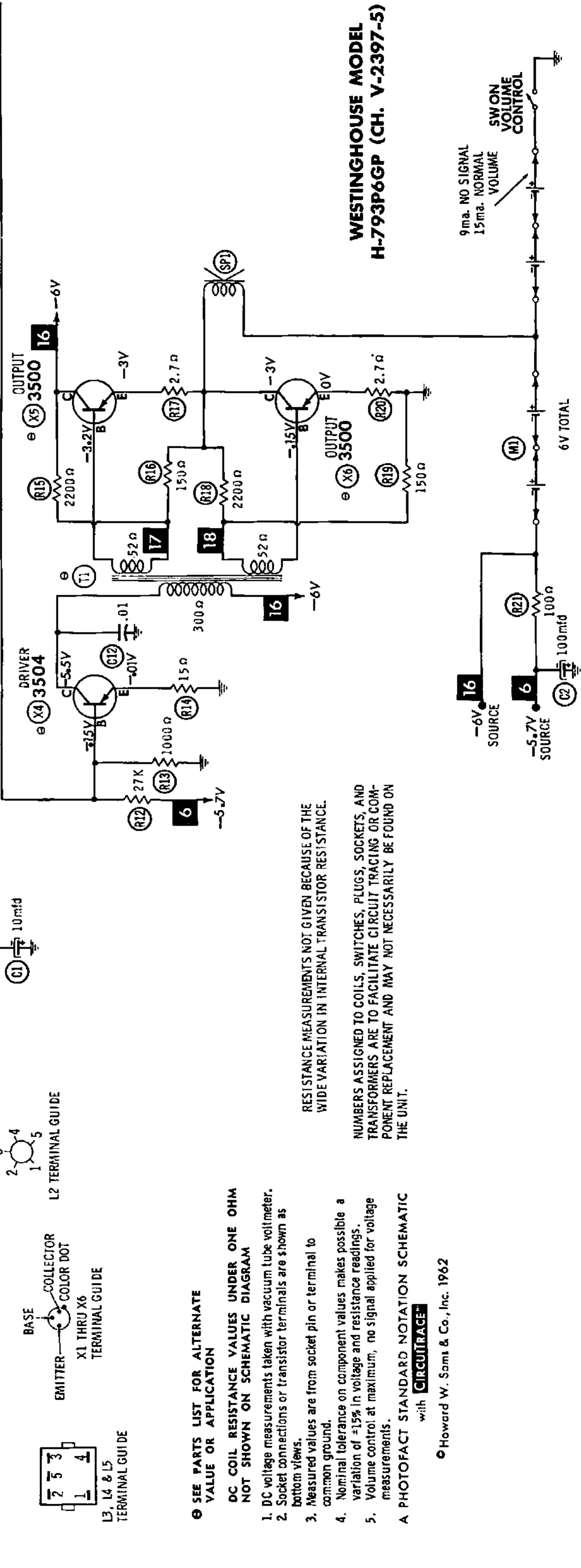
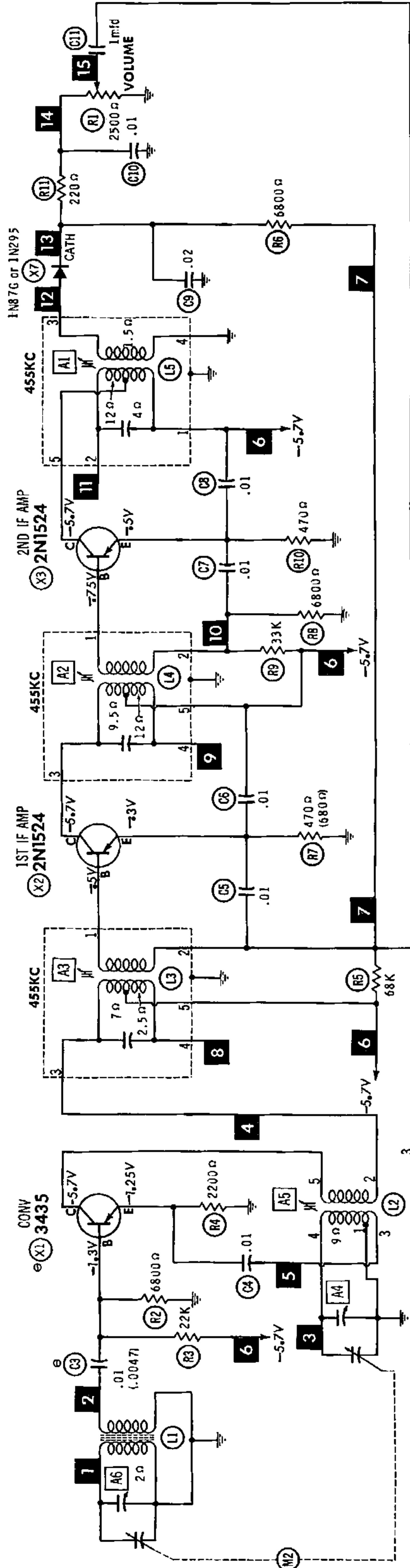
	SIGNAL GENERATOR COUPLING	SIGNAL GENERATOR FREQUENCY	RADIO DIAL SETTING	OUTPUT METER	ADJUST	REMARKS
1.	Fashion loop of several turns of wire and radiate signal into loop of receiver.	455KC (400% Mod.)	Tuning gang fully open.	Across voice coil.	A1, A2, A3	Adjust for maximum output.
2.	"	1625KC	"	"	A4	"
3.	"	600KC	600KC	"	A5	Adjust for maximum output while rocking tuning gang.
4.	"	1400KC	1400KC Signal.	"	A6	Adjust for maximum output. Repeat steps 2, 3 and 4.

HOWARD W. SAMS & CO., INC. Indianapolis 6, Indiana

The listing of any available replacement part herein does not constitute in any case a recommendation, warranty or guaranty by Howard W. Sams & Co., Inc., as to the quality and suitability of such replacement part. The numbers of these parts have been compiled from information furnished to Howard W. Sams & Co., Inc., by the manufacturers of LF196

the particular type of replacement part listed. Reproduction or use, without express permission, of editorial or pictorial content, in any manner, is prohibited. No patent liability is assumed with respect to the use of the information contained herein. © 1962 Howard W. Sams & Co., Inc., Indianapolis 6, Indiana. Printed in U.S. of America





**WESTINGHOUSE MODEL
H-793P6GP (CH. V-2397-5)**

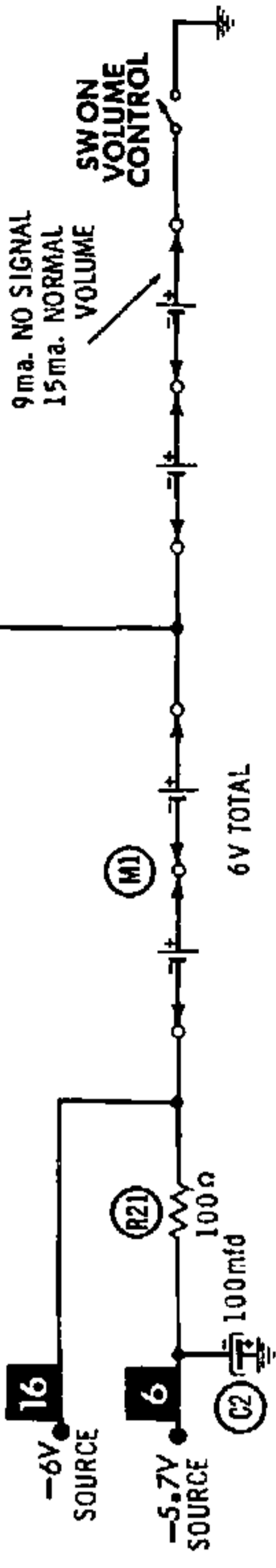
- ⊙ SEE PARTS LIST FOR ALTERNATE VALUE OR APPLICATION
- DC COIL RESISTANCE VALUES UNDER ONE OHM NOT SHOWN ON SCHEMATIC DIAGRAM
- 1. DC voltage measurements taken with vacuum tube voltmeter.
- 2. Socket connections or transistor terminals are shown as bottom views.
- 3. Measured values are from socket pin or terminal to common ground.
- 4. Nominal tolerance on component values makes possible a variation of ±15% in voltage and resistance readings.
- 5. Volume control at maximum; no signal applied for voltage measurements.

RESISTANCE MEASUREMENTS NOT GIVEN BECAUSE OF THE WIDE VARIATION IN INTERNAL TRANSISTOR RESISTANCE.

NUMBERS ASSIGNED TO COILS, SWITCHES, PLUGS, SOCKETS, AND TRANSFORMERS ARE TO FACILITATE CIRCUIT TRACING OR COMPONENT REPLACEMENT AND MAY NOT NECESSARILY BE FOUND ON THE UNIT.

A PHOTOFACIT STANDARD NOTATION SCHEMATIC with **CIRCUITAGE**

© Howard W. Sams & Co., Inc. 1962



1N87G or 1N295

9 ma. NO SIGNAL
15 ma. NORMAL VOLUME

6V TOTAL

PARTS LIST AND DESCRIPTIONS

TRANSISTORS

ITEM No.	ORIG. TYPE	USE	REPLACEMENT DATA		NOTES
			RCA PART No.	RAYTHEON PART No.	
X1	3435 2N412*	Converter Converter	2N1526	2N486	PNP
X2	2N1524	1st IF Amplifier	2N1524	2N483	PNP
X3	2N1524	2nd IF Amplifier	2N1524	2N483	PNP
X4	3504 2N406*	Driver Driver	2N406	2N362	PNP
X5	3500 2N406*	Output Output	2N408	2N360	PNP
X6	3500 2N406*	Output Output	2N408	2N360	PNP

* Alternate

POWER RECTIFIERS & SIGNAL DIODES

ITEM No.	CURRENT RATING (Measured)	ORIGINAL Part or Type No.	RECTIFIERS		DIODES		NOTES
			RCA PART No.	SARKES TARZIAN PART No.	GENERAL ELECTRIC PART No.	RAYTHEON PART No.	
X7		296V002H01				1N87	Detector (1N87G or 1N295)

ELECTROLYTIC CAPACITORS

ITEM No.	RATING		Westinghouse PART No.	REPLACEMENT DATA					
	CAP.	VOLT.		AEROVOX PART No.	CORNELL-DUBILIER PART No.	GENERAL ELECTRIC PART No.	MALLORY PART No.	PYRAMID PART No.	SPRAGUE PART No.
C1	10	10	218V048A01	PTT39	NLW10-15	MT1-5	TT12X10	MLV10-10	TE-1114
C2	100	7	218V012H15	PTT48	NLW100-12	MT1-19	TT15X100	MLV100-10	TE-1119.3

FIXED CAPACITORS

ITEM No.	RATING	REMARKS	REPLACEMENT DATA						
			AEROVOX PART No.	CENTRALAB PART No.	CORNELL-DUBILIER PART No.	ELMENCO PART No.	MALLORY PART No.	SPRAGUE PART No.	
C3	.01	(.0047) *	BPD-01	DM-103	H-05S1	CCD-103	TA-110	TG-S10	
C4	.01		BPD-01	DM-103	H-05S1	CCD-103	TA-110	TG-S10	
C5	.01		BPD-01	DM-103	H-05S1	CCD-103	TA-110	TG-S10	
C6	.01		BPD-01	DM-103	H-05S1	CCD-103	TA-110	TG-S10	
C7	.01		BPD-01	DM-103	H-05S1	CCD-103	TA-110	TG-S10	
C8	.01		BPD-01	DM-103	H-05S1	CCD-103	TA-110	TG-S10	
C9	.02		BPD-02	DA-203	H-05S2	CCD-203	TA-120	TG-S20	
C10	.01		BPD-01	DM-103	H-05S1	CCD-103	TA-110	TG-S10	
C11	1mf 3V		#215V309H54	UK-105					
C12	.01			BPD-01	DM-103	H-05S1	CCD-103	TA-110	TG-S10

* Value used in early production.

Westinghouse Part Number.

CONTROLS

All wattages 1/2 watt, or less, unless otherwise listed.

ITEM No.	USE	RESISTANCE	REPLACEMENT DATA				
			Westinghouse PART No.	CENTRALAB PART No.	CLAROSTAT PART No.	CTS-IRC PART No.	MALLORY PART No.
R1	Volume & Switch	2500Ω	270V084H01				

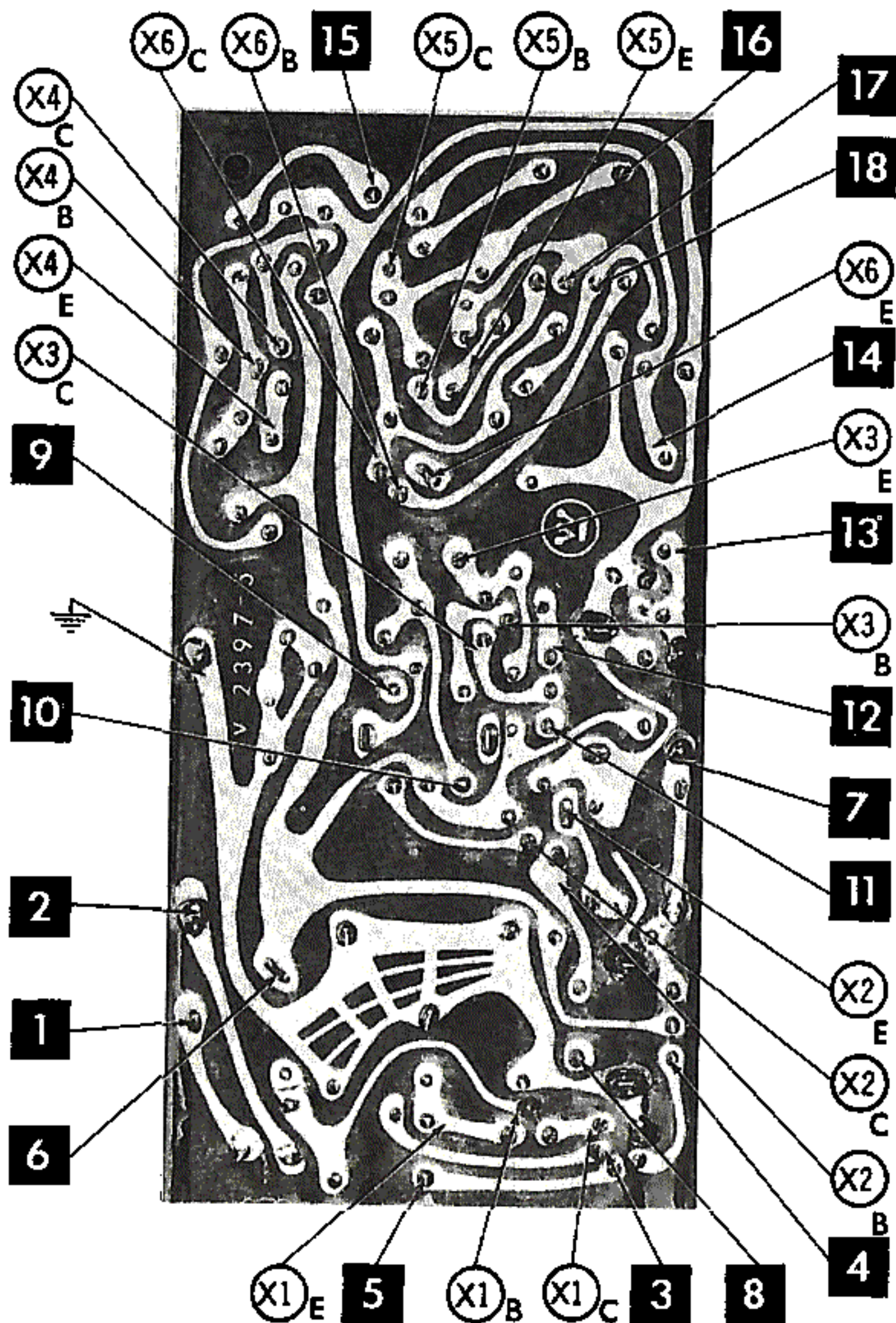
RESISTORS

All wattages 1/2 watt, or less, unless otherwise listed.

ITEM No.	RATING	REPLACEMENT DATA			ITEM No.	RATING	REPLACEMENT DATA		
		IRC PART No.	WORKMAN PART No.	REMARKS			IRC PART No.	WORKMAN PART No.	REMARKS
R2	6800Ω				R8	6800Ω			
R3	22K				R9	33K			
R4	2200Ω				R10	470Ω			
R5	68K				R11	220Ω			
R6	6800Ω				R12	27K			
R7	470Ω			(680Ω)*	R13	1000Ω			

PRINTED BOARD

A Howard W. Sams **CIRCUITRACE** Photo



PARTS LIST AND DESCRIPTIONS (Continued)

RESISTORS (cont)

ITEM No.	RATING	REPLACEMENT DATA			ITEM No.	RATING	REPLACEMENT DATA		
		IRC PART No.	WORKMAN PART No.	REMARKS			IRC PART No.	WORKMAN PART No.	REMARKS
R14	15Ω				R18	2200Ω			
R15	2200Ω				R19	150Ω			
R16	150Ω				R20	2.7Ω			
R17	2.7Ω				R21	100Ω			

* Value used in early production.

COILS (RF-IF)

ITEM No.	USE	REPLACEMENT DATA					NOTES
		Westinghouse PART No.	Merit PART No.	Miller PART No.	Stancor PART No.	Workman TV PART No.	
L1	Loopstick	310V061H02					TA594
L2	Osc.	230V092H01					
L3	1st IF	235V080H01					
L4	2nd IF	235V080H02					
L5	3rd IF	235V080H03					

TRANSFORMER (DRIVER)

ITEM No.	TURNS RATIO		REPLACEMENT DATA					NOTES
			Westinghouse PART No.	Merit PART No.	Stancor PART No.	Thordarson PART No.	Triad PART No.	
	PRI.	SEC. 1						
T1	2.8	1	430V076H03					Ⓢ Alt. #430V076H01
		SEC. 2						
		1						

SPEAKER

ITEM No.	TYPE			REPLACEMENT DATA		NOTES
				Westinghouse PART No.	QUAM PART No.	
	SIZE	FIELD	V. C. IMP.			
SP1	4"	PM	40-50Ω	570V088H01	4A05Z45	

BATTERIES

ITEM No.	VOLTAGE	Westinghouse PART No.	REPLACEMENT DATA						NOTES
			BURGESS		EVEREADY		MALLORY		
			"A"	"B"	"A"	"B"	"A"	"B"	
M1	1½V			130		835		M-14R	4 Required

MISCELLANEOUS

ITEM No.	PART NAME	Westinghouse PART No.	NOTES
M2	Tuning Cap.	330V027H01	2 Gang

CABINETS & CABINET PARTS

(When Ordering Cabinets & Cabinet Parts, Specify Model, Chassis & Color)

NAME	PART NO.	DESCRIPTION
Knob, Tuning	550V088H09	White Charcoal
Knob, Volume	550V098H03	
Cabinet, Back	513V080H10	
Cabinet, Front	513V080H09	
Case, Carrying	513V088H01	

WIRING DATA

General-use Unshielded Hook-up Wire Use BELDEN No. 8530 (Solid 22AWG) Available in
 8524 (Stranded 22AWG) 12 Colors
 8570 (Stranded 20AWG)

CHASSIS—TOP VIEW

