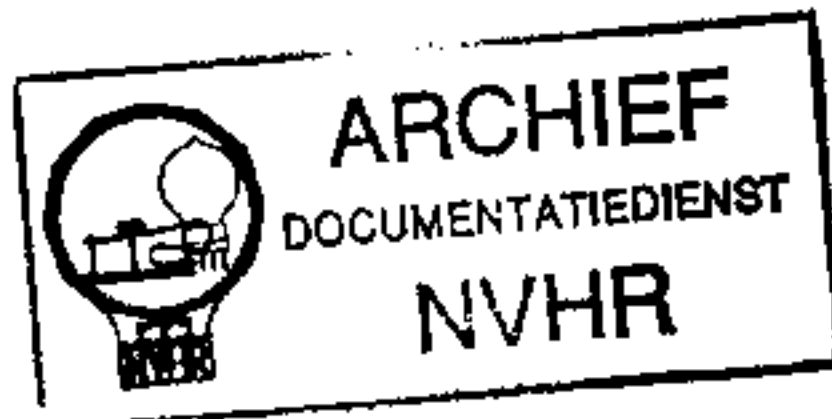


Met dank aan Jef Bos

Ned. Ver. v. Historie v/d Radio



MODEL H-791P6

TRADE NAME	Westinghouse Models H-790P6, H-790P6GP, H-791P6, H-791P6GP (Ch. V-2393-4)		
MANUFACTURER	Westinghouse Electric Corp., TV-Radio Div. Metuchen, N. J.		
TYPE SET	Battery Operated 6 Transistor Portable AM Resistor		
POWER SUPPLY	6 Volts DC	RATING	16MA @ 6 Volts DC (No Signal, Min. Volume)
TUNING RANGE—BROADCAST	540 — 1600KC		24MA @ 6 Volts DC (Signal, Normal Volume)

ALIGNMENT INSTRUCTIONS

ALIGNMENT INSTRUCTIONS—READ CAREFULLY BEFORE ATTEMPTING ALIGNMENT

Use only enough generator output to provide a usable indication.

Suggested Alignment Tools:

- A1, A2, A3..... GENERAL CEMENT #5097, 8727
WALSCO #2515
- A4, A5..... GENERAL CEMENT #5000, 5003, 5066, 8276, 8290, 9087, 9089
WALSCO #2512, 2525, 2528
- A6..... GENERAL CEMENT #8282, 8606, 8606-L, 9091
WALSCO #2526, 2541, 2542, 2543, 2544

	SIGNAL GENERATOR TUNING	SIGNAL GENERATOR FREQUENCY	RADIO DIAL SETTING	CONNECT VTVM	ADJUST	REMARKS
1.	FRONT TUNING GANG TUNE TO 1000 KC SIGNAL SIGNAL GENERATOR	455KC (Mod.)	Tuning gang fully open.	Across Volume Control.	A1, A2, A3	Adjust for maximum deflection.
2.	"	455KC	"	"	A4	"
3.	"	600KC	600KC Signal.	"	A5	Adjust for maximum deflection while rocking tuning gang. Repeat Steps 2 & 3.
4.	"	400KC	400KC Signal.	"	A6	Adjust for maximum deflection.

HOWARD W. SAMS & CO., INC. Indianapolis 6, Indiana

The listing of any available replacement parts does not constitute in any case a warranty by Howard W. Sams & Co., Inc. as to the quality and suitability of such replacement parts. These parts have been compiled for reference only to Howard W. Sams & Co., Inc. LF534

the particular type of replacement part listed. Reproduction or use, without express permission, of editorial or pictorial content, in any manner, is prohibited. No patent liability is assumed with respect to the use of the information contained herein. © 1962 Howard W. Sams & Co., Inc., Indianapolis 6, Indiana. Printed in U.S. of America



PARTS LIST AND DESCRIPTIONS

WIRING DATA

General-use Unshielded Hook-up Wire Use BELDEN No. 8530 (Solid 22AWG) Available in 12 Colors
 8524 (Stranded 22AWG)
 8570 (Stranded 26AWG)

TRANSISTORS

ITEM No.	ORIG. TYPE	USE	REPLACEMENT DATA			NOTES
			GENERAL ELECTRIC PART No.	RCA PART No.	RAYTHEON PART No.	
X1	3495 2N412 †	Converter	GE-1	2N1525	2N485	PNP
X2	2N1524	1st IF Amplifier	GE-1	2N1524	2N483	PNP
X3	2N1524	2nd IF Amplifier	GE-1	2N1524	2N483	PNP
X4	3504 2N406 †	Driver	GE-2	2N406	2N363	PNP
X5	3500	Output	GE-2	2N408	2N632	PNP } Matched Pair
X6	3500 2N406 † 2N408 †	Output	GE-2	2N408	2N632	

† Alternate

POWER RECTIFIERS & SIGNAL DIODES

ITEM No.	CURRENT RATING (Measured)	ORIGINAL Part or Type No.	RECTIFIERS		DIODES	NOTES
			RCA PART No.	SARKES TARZIAN PART No.	RAYTHEON PART No.	
X7		298V002H01			1N295	Detector (1N295 or 1N87G)

ELECTROLYTIC CAPACITORS

ITEM No.	RATING		REPLACEMENT DATA						
	CAP.	VOLT.	Westinghouse PART No.	AEROVOX PART No.	CORNELL-DUBILIER PART No.	GENERAL ELECTRIC PART No.	MALLORY PART No.	PYRAMID PART No.	SPRAGUE PART No.
C1	10	10	218V048A01	PTT39	NLW10-15	MT1-5	TT12X10	MLV10-10	TE-1114
C2	100	7	218V012H15	PTT46	NLW100-12	MT1-19	TT12X100	MLV100-10	TE-1119.3

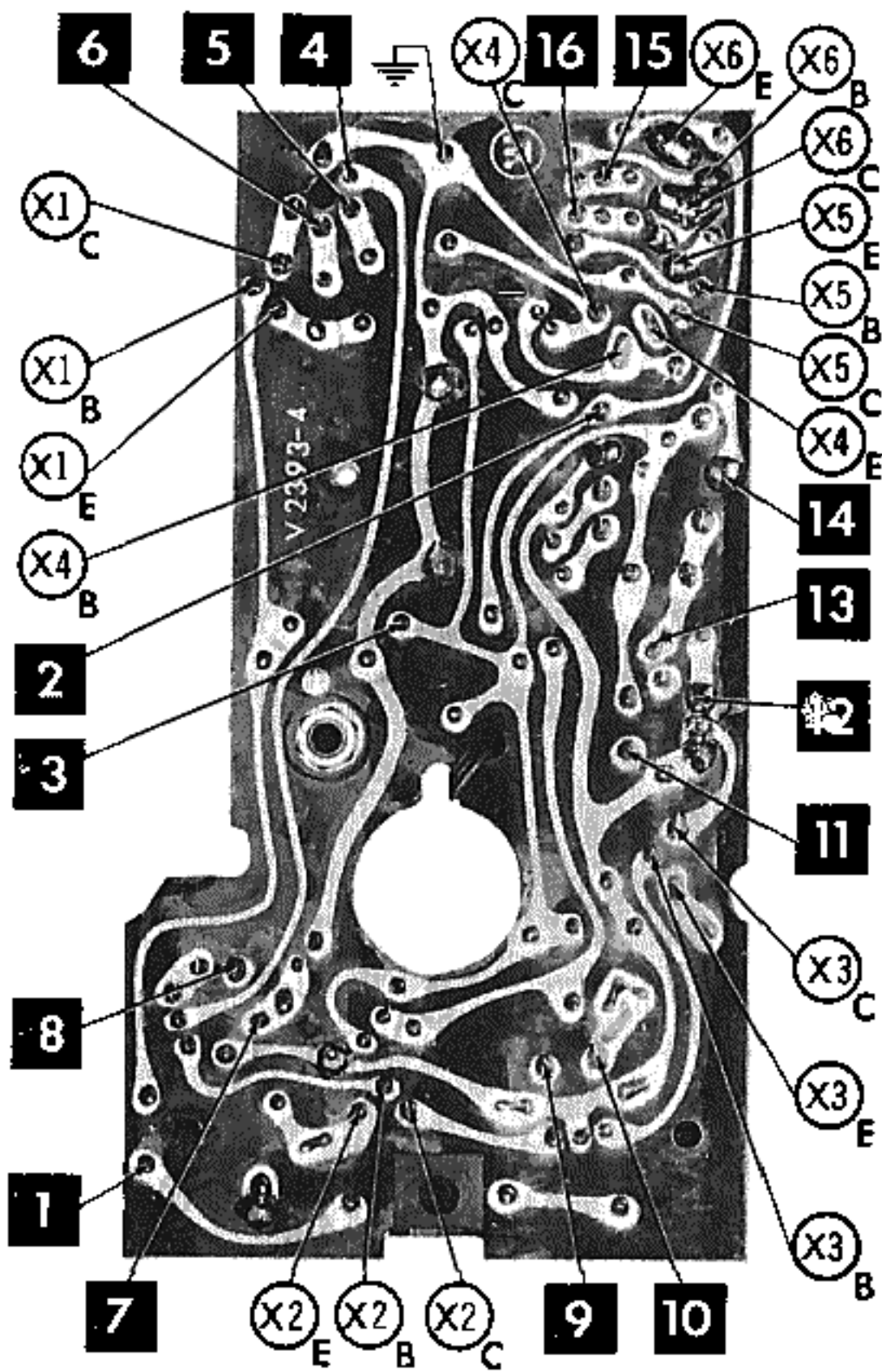
FIXED CAPACITORS

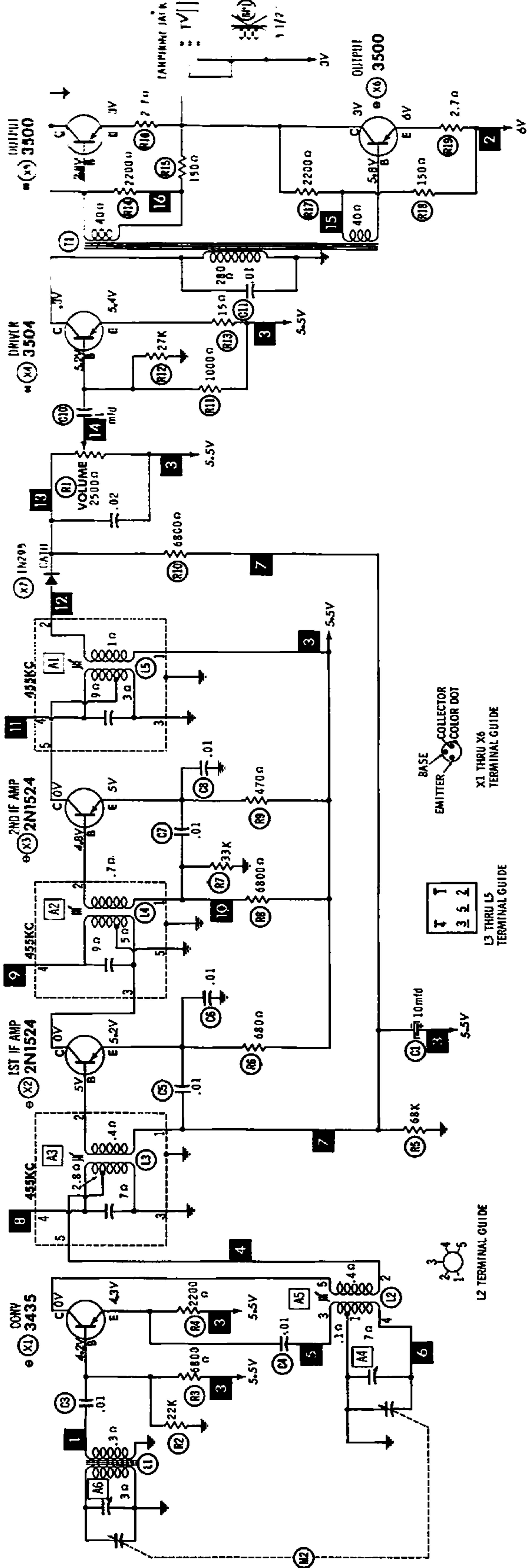
ITEM No.	RATING	REMARKS	REPLACEMENT DATA						
			AEROVOX PART No.	CENTRALAB PART No.	CORNELL-DUBILIER PART No.	ELMENCO PART No.	MALLORY PART No.	SPRAGUE PART No.	
C3	.01		BPD-01	DD-103	BYA10S1	CCD-103	B-110	5HK-S10	
C4	.01		BPD-01	DD-103	BYA10S1	CCD-103	B-110	5HK-S10	
C5	.01		BPD-01	DD-103	BYA10S1	CCD-103	B-110	5HK-S10	
C6	.01		BPD-01	DD-103	BYA10S1	CCD-103	B-110	5HK-S10	
C7	.01		BPD-01	DD-103	BYA10S1	CCD-103	B-110	5HK-S10	
C8	.01		BPD-01	DD-103	BYA10S1	CCD-103	B-110	5HK-S10	
C9	.02 50V		BPD-02	DD-203	H-05S2	CCD-203	TA-120	TG-S20	
C10	1.0mfd 3V			UK-105				HY-135	
C11	.01		BPD-01	DD-103	BYA10S1	CCD-103	B-110	5HK-S10	

CONTROLS

All wattages 1/2 watt, or less, unless otherwise listed.

ITEM No.	USE	RESISTANCE	REPLACEMENT DATA				
			Westinghouse PART No.	CENTRALAB PART No.	CLAROSTAT PART No.	CTS-IRC PART No.	MALLORY PART No.
R1	Volume & Switch	2500Ω	270V008H01				





**WESTINGHOUSE MODELS H-790P6,
H-791P6, H-791P6GP (Ch. V-2393-4)**

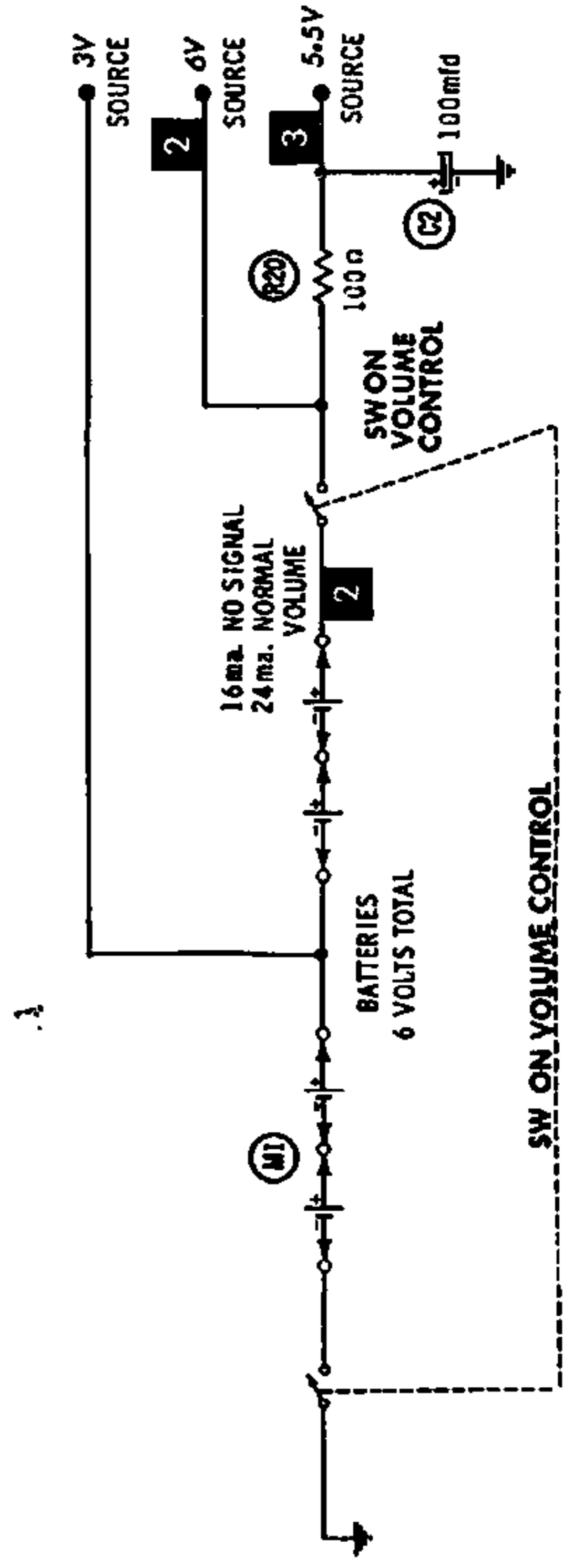
RESISTANCE MEASUREMENTS NOT GIVEN BECAUSE OF THE WIDE VARIATION IN INTERNAL TRANSISTOR RESISTANCE.

NUMBERS ASSIGNED TO COILS, SWITCHES, PLUGS, SOCKETS, AND TRANSFORMERS ARE TO FACILITATE CIRCUIT TRACING OR COMPONENT REPLACEMENT AND MAY NOT NECESSARILY BE FOUND ON THE UNIT.

SEE PARTS LIST FOR ALTERNATE VALUE OR APPLICATION

1. DC voltage measurements taken with vacuum tube voltmeter.
2. Socket connections or transistor terminals are shown as bottom views.
3. Measured values are from socket pin or terminal to common ground.
4. Nominal tolerance on component values makes possible a variation of $\pm 15\%$ in voltage and resistance readings.
5. Volume control at maximum, no signal applied for voltage measurements.

A PHOTOFAC STANDARD NOTATION SCHEMATIC with CIRCUITRACE



PARTS LIST AND DESCRIPTIONS (Continued)

RESISTORS

All wattages 1/2 watt, or less, unless otherwise listed.

ITEM No.	RATING	REPLACEMENT DATA			ITEM No.	RATING	REPLACEMENT DATA		
		IRC PART No.	WORKMAN PART No.	REMARKS			IRC PART No.	WORKMAN PART No.	REMARKS
R2	22K				R12	27K			
R3	6800Ω				R13	15Ω			
R4	2200Ω				R14	2200Ω			
R5	68K				R15	150Ω			
R6	680Ω				R16	2.7Ω			
R7	33K				R17	2200Ω			
R8	6800Ω				R18	150Ω			
R9	470Ω				R19	2.7Ω			
R10	6800Ω				R20	100Ω			
R11	1000Ω								

COILS (RF-IF)

ITEM No.	USE	REPLACEMENT DATA					NOTES
		Westinghouse PART No.	Merit PART No.	Miller PART No.	Stancor PART No.	Workman PART No.	
L1	Loop Bar	310V029H02					
L2	Osc.	230V057H02					
L3	1st IF	235079H01					
L4	2nd IF	235079H02					
L5	3rd IF	235079H03					

TRANSFORMER (DRIVER)

ITEM No.	TURNS RATIO	REPLACEMENT DATA					NOTES
		Westinghouse PART No.	Merit PART No.	Stancor PART No.	Thordarson PART No.	Triad PART No.	
T1	28	430V076H01					
	SEC. 1						
	SEC. 2						
	1						

SPEAKER

ITEM No.	TYPE			REPLACEMENT DATA		NOTES
	SIZE	FIELD	V. C. IMP.	Westinghouse PART No.	QUAM PART No.	
SP1	3½"	PM	45Ω	570V062H01	3A07Z45	

BATTERIES

ITEM No.	VOLTAGE	Westinghouse PART No.	REPLACEMENT DATA						NOTES
			BURGESS		EVEREADY		MALLORY		
			"A"	"B"	"A"	"B"	"A"	"B"	
M1	1½V			930		1016		M-15R	4 Required

MISCELLANEOUS

ITEM No.	PART NAME	Westinghouse PART No.	NOTES
M2	Tuning Cap.	330V020H02	2 Gang

CABINETS & CABINET PARTS

(When Ordering Cabinets & Cabinet Parts, Specify Model, Chassis & Color)

NAME	PART NO.	DESCRIPTION
Knob	559V099H01	Volume
Knob	550V080H09	Tuning, Less Background Ring
Ring	558V398H01	Background, for Tuning Knob
Handle	558V151H01	Less Brackets, Part #770V608H01
Cabinet Assembly	513V089H01	Model H-790P6, H-790P8GP
Cabinet Assembly	513V089H02	Model H-791P6, H-791P8GP
Carrying Case	513V091H01	

