

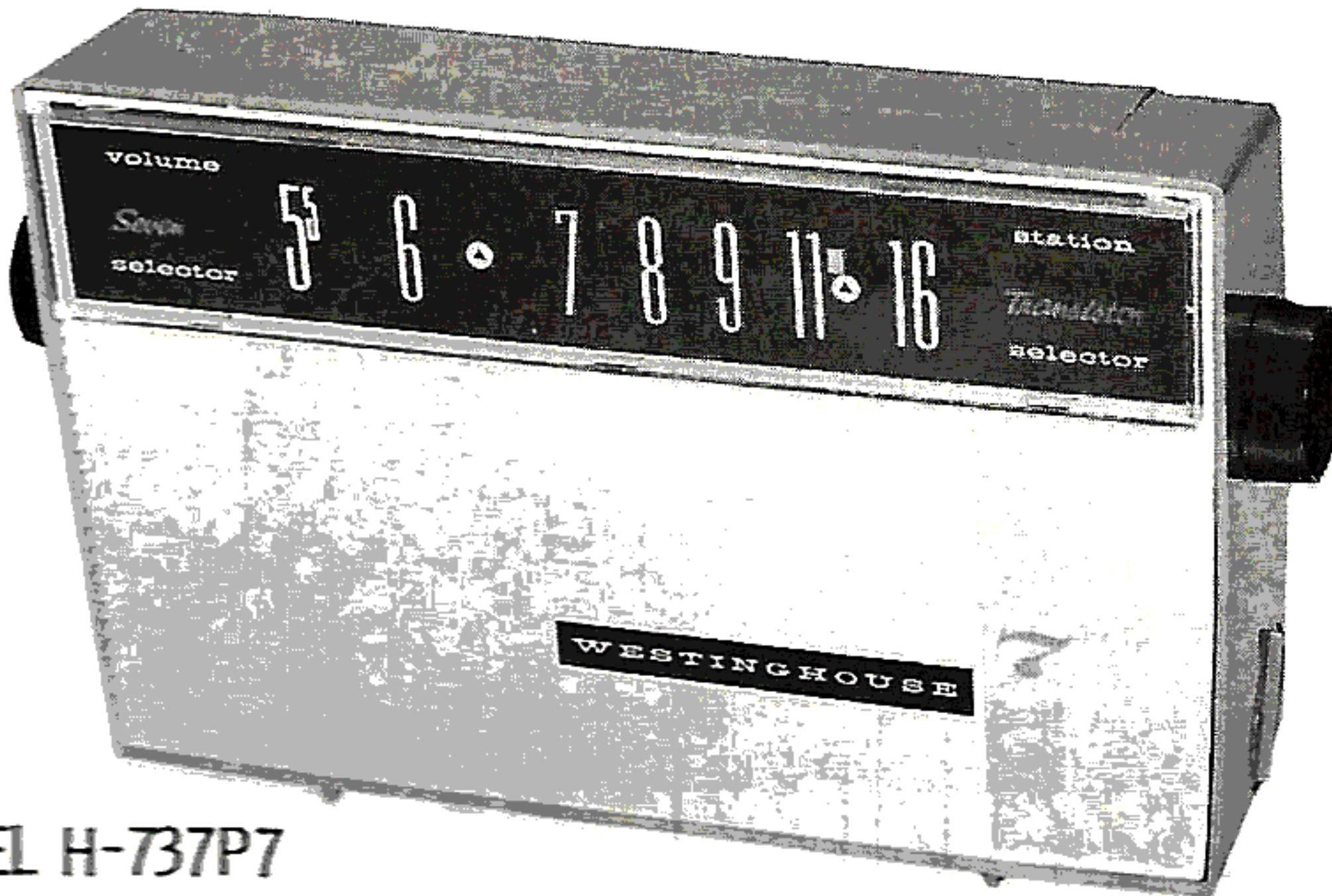
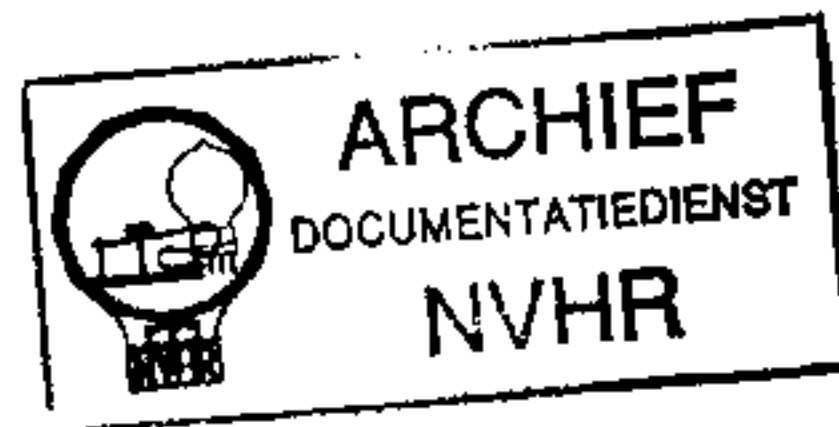
PHOTOFACT® Folder

with CIRCUITRACE™

WESTINGHOUSE MODELS
H-737P7, H-738P7 (Ch. V-2404-1)

Met dank aan Jef Bos

Ned. Ver. v. Historie v/



MODEL H-737P7

TRADE NAME: Westinghouse Model H-737 H-738 Ch. V-2404-1
 MANUFACTURER: Westinghouse Electric Corp., Radio-Television Div., Merchant, N. J.
 TYPE SET: Superheterodyne Tuning Indicator Portable AM Receiver
 POWER SUPPLY: 1 Tube DC RATING: 1MA @ 45 TUB DC No Signal, Min. Volume;
 TUNING RANGE - BROADCAST: 550 - 1600 2MA @ 5 TUB DC Signal, Normal Volume;

ALIGNMENT INSTRUCTIONS

ALIGNMENT INSTRUCTIONS READ CAREFULLY BEFORE ATTEMPTING ALIGNMENT

TUNING SIGNAL SHOULD BE IN RECEIVING POSITION. Output of signal generator should be no higher than necessary to obtain an output reading.

Suggested Alignment Tools: A1, A2, A3..... GENERAL CEMENT #9440
 A4, A5..... GENERAL CEMENT #5004, 5008, 5009
 WALSCO #2520
 A6..... GENERAL CEMENT #8282, 8606, 8606-L, 9295, 9440
 WALSCO #2526, 2543, 2544, 2545

	SIGNAL GENERATOR COUPLING	SIGNAL GENERATOR FREQUENCY	RADIO DIAL SETTING	OUTPUT METER	ADJUST	REMARKS
1.	Loop	455KC (400% Mod.)	Tuning gang fully open.	Across voice coil.	A1, A2, A3	Fashion loop of several turns of wire and radiate signal into loop of receiver. Adjust for maximum output.
2.	"	1625KC	"	"	A4	"
3.	"	1400KC	1400KC Signal.	"	A5	"
4.	"	600KC	600KC	"	A6	Adjust for maximum output. Repeat Steps 2, 3 and 4.

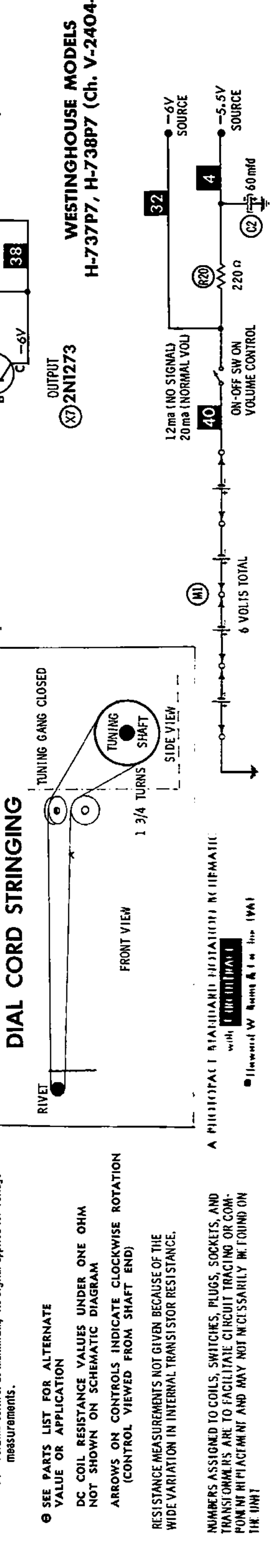
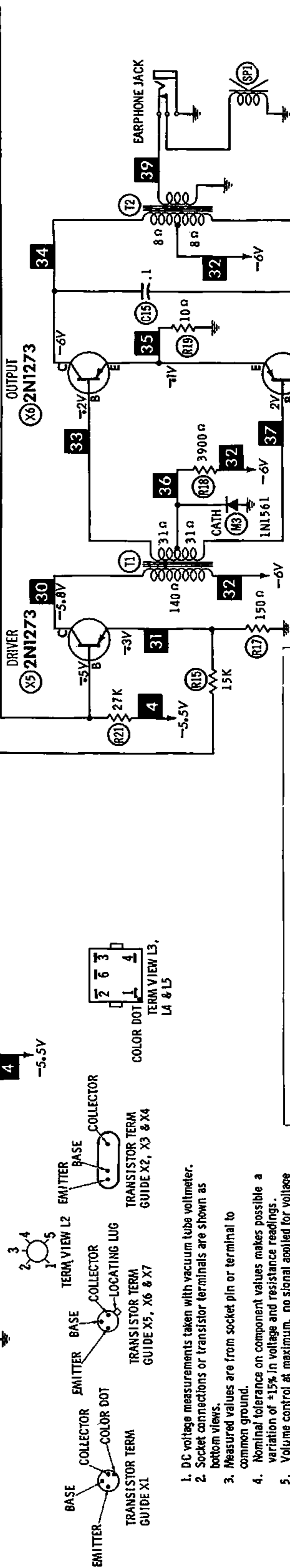
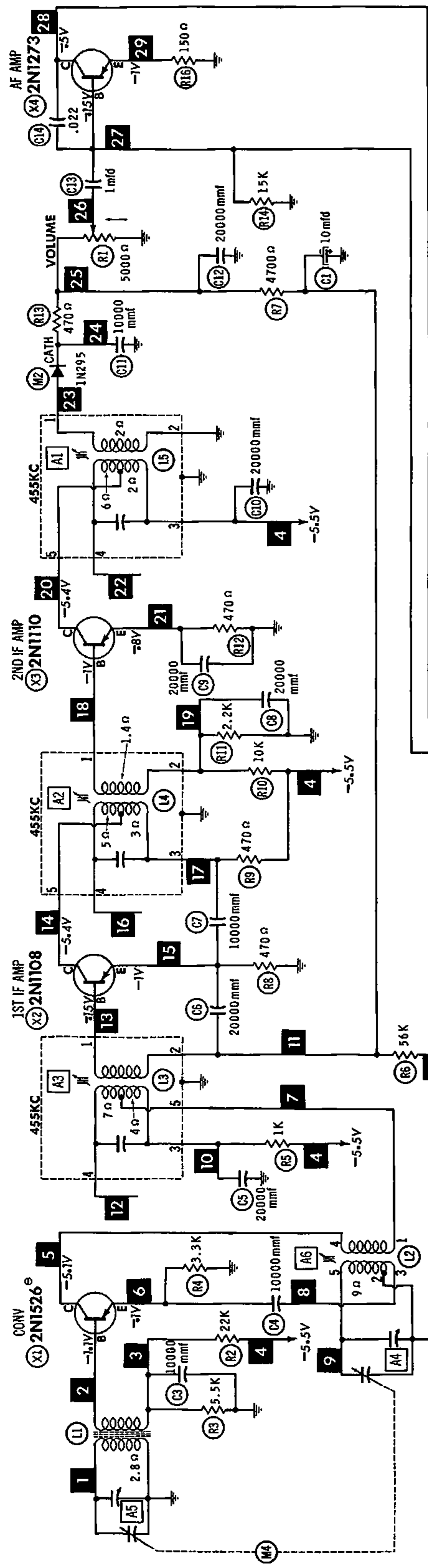
DISASSEMBLY

1. Remove 2 knobs.
2. Remove battery compartment cover.
3. Remove 2 screws from cabinet back.
4. Separate cabinet front (with chassis) from cabinet rear.
5. Slide out negative battery contact thru slot in cabinet.
6. Remove 4 chassis mounting screws. Remove cabinet from chassis.
7. Unsolder speaker leads.
8. If necessary, remove 4 printed board mounted screws from frame.
9. Push printed board toward volume control side, against frame and when tuning gang gears unmesh, remove board, gang end first.

HOWARD W. SAMS & CO., INC. Indianapolis 6, Indiana

The listing of any available replacement part herein does not constitute in any case a representation, warranty or guaranty by Howard W. Sams & Co., Inc. as to the quality and suitability of such replacement part. The numbers of these parts have been compiled from information furnished to Howard W. Sams & Co., Inc. by the manufacturers of KF600

the particular type of replacement part listed. Reproduction or use, without express permission, of editorial or pictorial content, in any manner, is prohibited. No patent liability is assumed with respect to the use of the information contained herein. © 1961 Howard W. Sams & Co., Inc., Indianapolis 6, Indiana. Printed in U.S. of America



**WESTINGHOUSE MODELS
H-737P7, H-738P7 (Ch. V-2404-1)**

1. DC voltage measurements taken with vacuum tube voltmeter.
2. Socket connections or transistor terminals are shown as bottom views.
3. Measured values are from socket pin or terminal to common ground.
4. Nominal tolerance on component values makes possible a variation of $\pm 15\%$ in voltage and resistance readings.
5. Volume control at maximum, no signal applied for voltage measurements.

SEE PARTS LIST FOR ALTERNATE VALUE OR APPLICATION

DC COIL RESISTANCE VALUES UNDER ONE OHM NOT SHOWN ON SCHEMATIC DIAGRAM

ARROWS ON CONTROLS INDICATE CLOCKWISE ROTATION (CONTROL VIEWED FROM SHAFT END)

RESISTANCE MEASUREMENTS NOT GIVEN BECAUSE OF THE WIDE VARIATION IN INTERNAL TRANSISTOR RESISTANCE.

NUMBERS ASSIGNED TO COILS, SWITCHES, PLUGS, SOCKETS, AND TRANSFORMERS ARE TO FACILITATE CIRCUIT TRACING OR COMPONENT IDENTIFICATION AND MAY NOT NECESSARILY BE FOUND ON THE UNIT

A PHOTOGRAPH STANDARDIZATION SCHEMATIC with INTERNAL

Illustrated by W. B. ...

PARTS LIST AND DESCRIPTIONS

TRANSISTORS

ITEM No.	ORIG. TYPE	USE	REPLACEMENT DATA			NOTES
			RCA PART No.	RAYTHEON PART No.	SYLVANIA PART No.	
X1	2N1020 2N374 * 2N1420 *	Converter Converter Converter				PNP PNP PNP PNP PNP PNP PNP } Matched Pair
X2	2N1104	Int IF Amplifier		2N400	2N412	
X3	2N1110	Med IF Amplifier		2N483	2N409	
X4	2N1070	AF Amplifier		2N408	2N362	
X5	2N1070	Driver		2N408	2N362	
X6	2N1070	Output		2N408	2N360	
X7	2N1070	Output		2N408	2N360	

* Alternate type

ELECTROLYTIC CAPACITORS

ITEM No.	RATING		Westinghouse PART No.	REPLACEMENT DATA					NOTES
	μF	VOLT		AEROVOX PART No.	CORNELL-DUBILIER PART No.	MALLORY PART No.	PYRAMID PART No.	SPRAGUE PART No.	
C1	10	10	21NVO121111	PTT-10010	NLW10-15	TT12X10	MLV10-10	TE-1114	
C2	50	7	21NVO121122	PTT-10050	NLW75-10	TT10X60	MLV50-10	TE-1134	

FIXED CAPACITORS

Capacity values given in the rating column are in mfd. for Paper Capacitors, and in mmfd. for Mica and Ceramic Capacitors.

ITEM No.	RATING	REMARKS	REPLACEMENT DATA					SPRAGUE PART No.
			AEROVOX PART No.	CENTRALAB PART No.	CORNELL-DUBILIER PART No.	ELMENCO PART No.	MALLORY PART No.	
C3	10000		BPD-01	DD-103	BYA10S1	CCD-103	B-110	5HK-S10
C4	10000		BPD-01	DD-103	BYA10S1	CCD-103	B-110	5HK-S10
C5	20000		BPD-02	DD-203	BYB6S2	CCD-203	B-120	5HK-S20
C6	20000		BPD-02	DD-203	BYB6S2	CCD-203	B-120	5HK-S20
C7	10000		BPD-01	DD-103	BYA10S1	CCD-103	B-110	5HK-S10
C8	20000		BPD-02	DD-203	BYB6S2	CCD-203	B-120	5HK-S20
C9	20000		BPD-02	DD-203	BYB6S2	CCD-203	B-120	5HK-S20
C10	20000		BPD-02	DD-203	BYB6S2	CCD-203	B-120	5HK-S20
C11	10000		BPD-01	DD-103	BYA10S1	CCD-103	B-110	5HK-S10
C12	20000		BPD-02	DD-203	BYB6S2	CCD-203	B-120	5HK-S20
C13	1mfd 3V			UK-105				HY-135
C14	.022 200V		P288N-022	DD-203	CUB4S22	4DP-2-3 22	GEM-4122	2TM-S22
C15	.1 200V		P288N-1	DF-104	CUB2P1	2DP-3-104	GEM-201	2TM-P10

CONTROLS

ITEM No.	RATING		REPLACEMENT DATA				INSTALLATION NOTES	
	RESISTANCE	WATTS	Westinghouse PART No.	CENTRALAB PART No.	CLAROSTAT PART No.	CTS-IRC PART No.		MALLORY PART No.
RIA B	5000Ω Switch	1/2	270V050H04					Volume Power Off-On

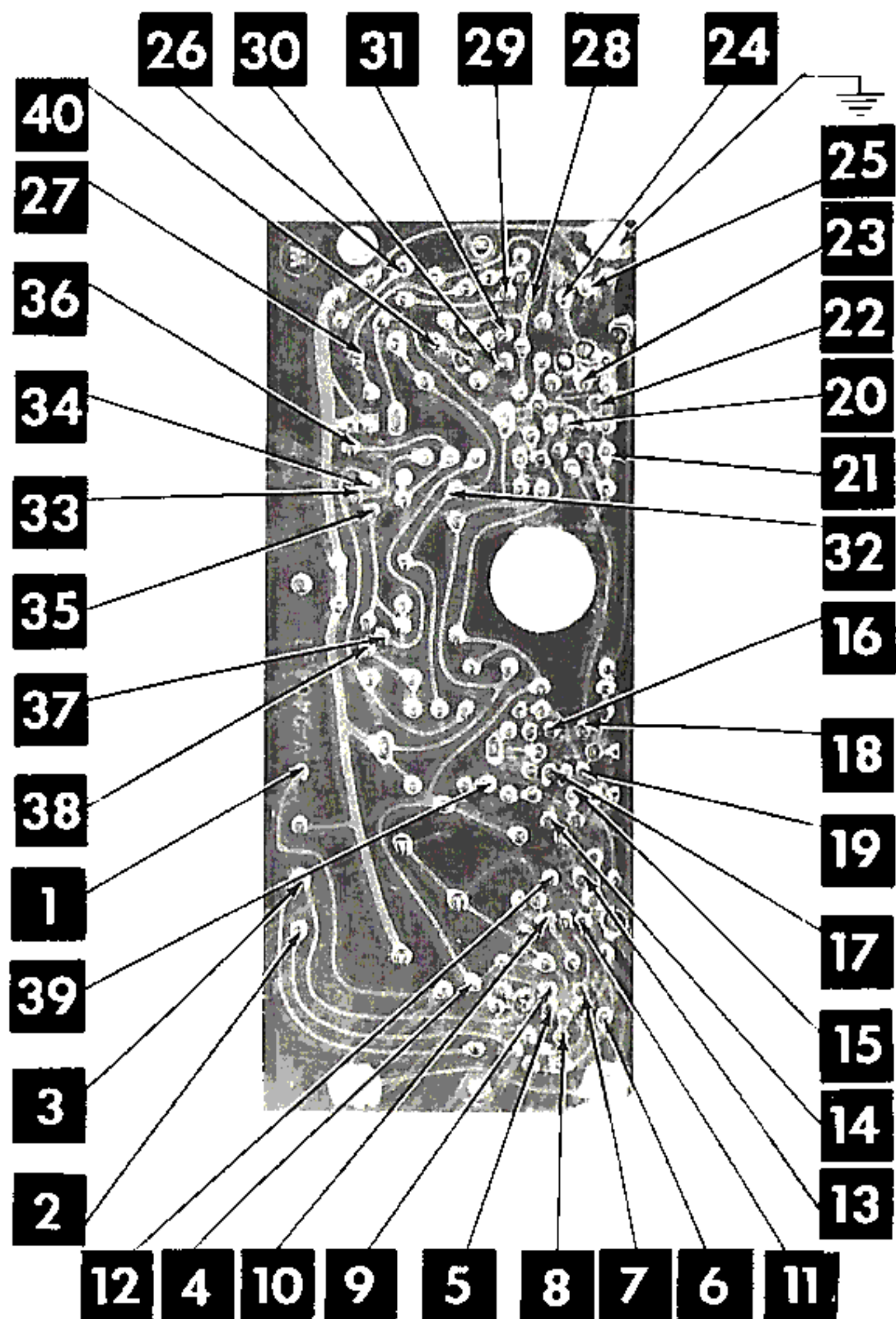
RESISTORS

All wattages 1/2 watt, or less, unless otherwise listed.

ITEM No.	RATING	REPLACEMENT DATA			ITEM No.	RATING	REPLACEMENT DATA		
		IRC PART No.	WORKMAN TV PART No.	REMARKS			IRC PART No.	WORKMAN TV PART No.	REMARKS
R2	22K				R12	470Ω			
R3	5600Ω				R13	470Ω			
R4	3300Ω				R14	15K			
R5	1000Ω				R15	15K			
R6	56K				R16	150Ω			
R7	4700Ω				R17	150Ω			
R8	470Ω				R18	3900Ω			
R9	470Ω				R19	10Ω			
R10	10K				R20	220Ω			
R11	2200Ω				R21	27K			

PRINTED BOARD

A Howard W. Sams **CIRCUITRACE** Photo



PARTS LIST AND DESCRIPTIONS (Continued)

COILS (RF-IF)

ITEM No.	USE	REPLACEMENT DATA					NOTES
		Westinghouse PART No.	Merit PART No.	Miller PART No.	Stancor PART No.	Workman TV PART No.	
L1	Loopstick	310V060H01				TA592	
L2	Osc.	230V091H01				TA586	
L3	1st IF	235V067H01				TB648	
L4	2nd IF	235V067H02				TB647	
L5	3rd IF	235V067H03				TB650	

TRANSFORMER (DRIVER)

ITEM No.	TURNS RATIO	REPLACEMENT DATA					NOTES
		Westinghouse PART No.	Merit PART No.	Stancor PART No.	Thordarson PART No.	Triad PART No.	
	PRI. SEC.						
T1	1.6 1	430V097H01					

TRANSFORMER (AUDIO OUTPUT)

ITEM No.	IMPEDANCE		REPLACEMENT DATA					NOTES
	PRI.	SEC.	Westinghouse PART No.	Merit PART No.	Stancor PART No.	Thordarson PART No.	Triad PART No.	
T2	350Ω CT	3-4Ω	430V098H01					

SPEAKER

ITEM No.	TYPE			REPLACEMENT DATA		NOTES
	SIZE	FIELD	V. C. IMP.	Westinghouse PART No.	QUAM PART No.	
SP1	4"	PM	3-4Ω	570V085H01	4A05	

BATTERIES

ITEM No.	VOLTAGE	Westinghouse PART No.	REPLACEMENT DATA						NOTES
			BURGESS		EVEREADY		MALLORY		
			"A"	"B"	"A"	"B"	"A"	"B"	
M1	1.5V			130		635		M-14R	4 Required

SIGNAL DIODES

ITEM No.	ORIG. TYPE	REPLACEMENT DATA				NOTES
		Westinghouse PART No.	GENERAL ELECTRIC PART No.	RAYTHEON PART No.	SYLVANIA PART No.	
M2	1N295	296V002H01		1N295	1N295	Detector (Pigtail) Output Bias
M3	1N1561	296V009H01				

MISCELLANEOUS

ITEM No.	PART NAME	Westinghouse PART No.	NOTES
M4	Tuning Cap.	330V037H01	2 Gang

CABINETS & CABINET PARTS

(When Ordering Cabinets & Cabinet Parts, Specify Model, Chassis & Color)

NAME	PART NO.	DESCRIPTION
Dial Crystal	558V322H01	Tuning, Volume Model H-737P7 Model H-738P7
Dial Pointer	558V329H01	
Knob	550V154H02	
Cabinet Back	513V070H01	
Cabinet Back	513V070H02	
Cabinet Front	513V060H01	
Handle	558V323H01	Model H-737P7
Handle	558V323H02	Model H-738P7

WIRING DATA

General-use Unshielded Hook-up Wire Use Belden No. 0030 (Solid) Available in Ten Colors
0034 (Stranded) Available in Ten Colors

