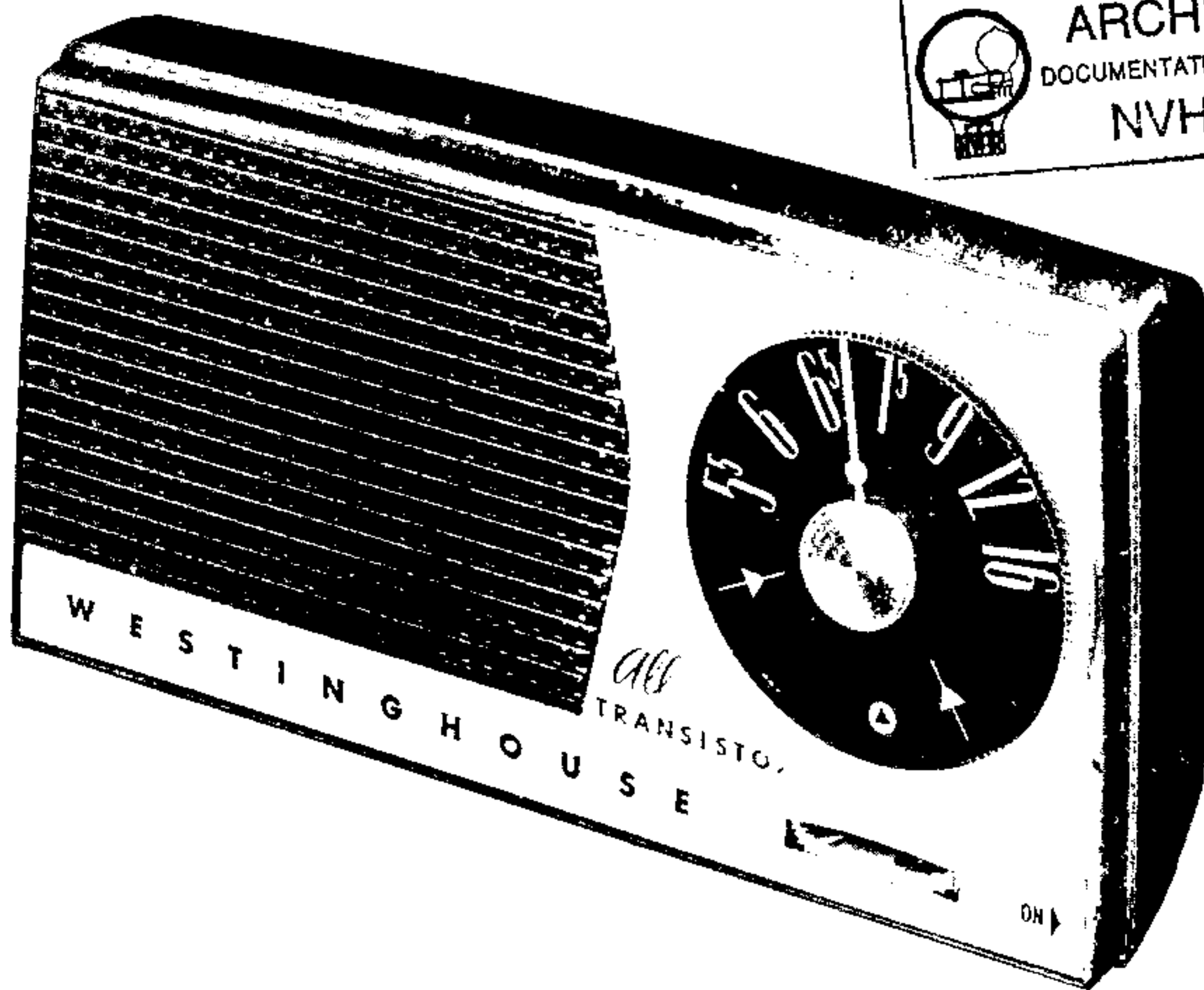
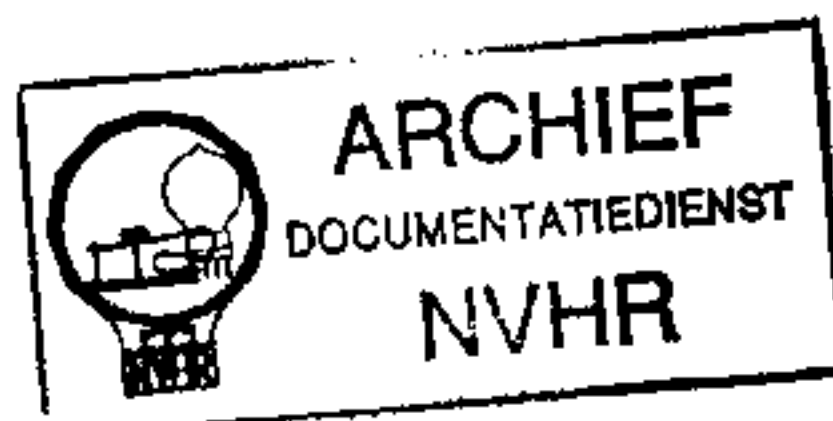




Met dank aan Jef Bos

Ned. Ver. v. Historie v/d Radio



WESTINGHOUSE MODELS H-610P5,
H-611P5, H-612P5 (Ch. V-2278-2)

TRADE NAME	Westinghouse Models H610P5, H611P5, H612P5 (Ch. V-2278-2)	
MANUFACTURER	Westinghouse Electric Corp., TV-Radio Div., Metuchen, N. J.	
TYPE SET	Battery Operated Portable AM Transistorized Receiver	
POWER SUPPLY	9 Volts DC	RATING 26 MA @ 9 Volts DC
TUNING RANGE—BROADCAST	540KC - 1600KC	

ALIGNMENT INSTRUCTIONS—READ CAREFULLY BEFORE ATTEMPTING ALIGNMENT

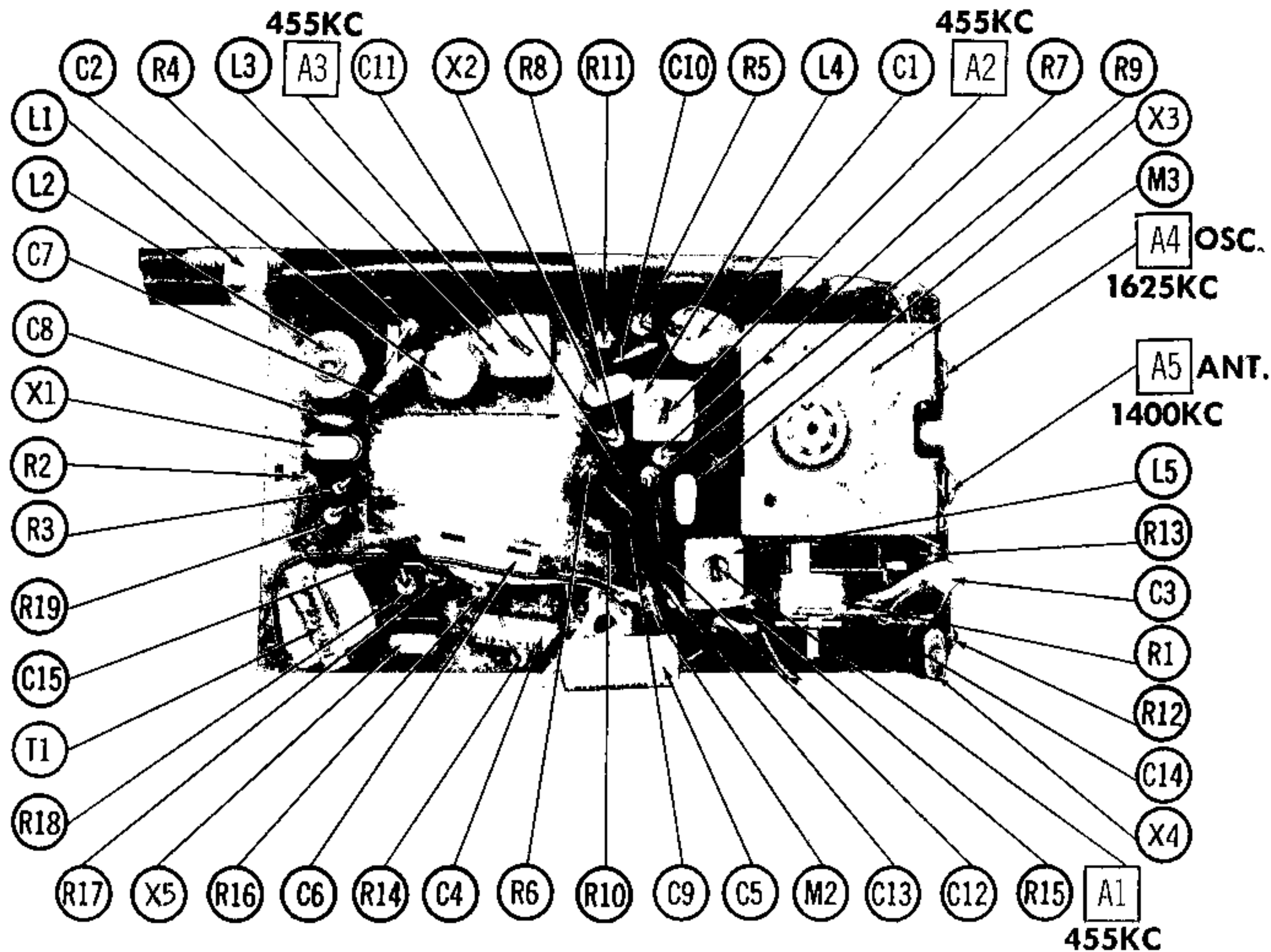
Volume control should be at maximum position. Output of signal generator should be no higher than necessary to obtain an output reading. Use an insulated alignment screwdriver for adjusting.
To set pointer, turn tuning capacitor fully closed and set pointer to last reference mark at low frequency end of dial.

DUMMY ANTENNA	SIGNAL GENERATOR COUPLING	SIGNAL GENERATOR FREQUENCY	RADIO DIAL SETTING	OUTPUT METER	ADJUST	REMARKS
1.	Loop	455KC (400v Mod)	Tuning gang fully closed.	Across voice coil.	A1, A2, A3	Fashion loop of several turns of wire and radiate signal into loop of receiver. Adjust for maximum output.
2.	"	1625KC	Tuning gang fully open.	"	A4	"
3.	"	1400KC	Tune to 1400KC signal.	"	A5	"

HOWARD W. SAMS & CO., INC. • Indianapolis 5, Indiana

"The listing of any available replacement part herein does not constitute in any case a recommendation, warranty or guaranty by Howard W. Sams & Co., Inc., as to the quality and suitability of such replacement part. The numbers of these parts have been compiled from information furnished to Howard W. Sams & Co., Inc., by the manufacturers of the particular type of replacement part listed."
"Reproduction or use, without express permission, of editorial or pictorial con-

tent, in any manner, is prohibited. No patent liability is assumed with respect to the use of the information contained herein. Copyright 1957 by Howard W. Sams & Co., Inc., Indianapolis 5, Indiana, U. S. of America. Copyright under International Copyright Union. All rights reserved under Inter-American Copyright Union (1910) by Howard W. Sams & Co., Inc." Printed in U. S. of America



CHASSIS-TOP VIEW

PARTS LIST AND DESCRIPTIONS

TRANSISTORS

ITEM No.	USE	Westinghouse PART No.	NOTES
X1	Converter (2N252)	297V008M01	
X2	1st IF Amp. (2N253)	297V002M04	
X3	2nd IF Amp. (2N254)	297V002M05	

ITEM No.	USE	Westinghouse PART No.	NOTES
X4	Driver (2N238)	297V004M01	Note 1
X5	Output (357)	297V009M01	Note 2

Note 1: Some versions may use type 310.

Note 2: Some versions may use type 2N149.

ELECTROLYTIC CAPACITORS

ITEM No.	RATING		REPLACEMENT DATA						
	CAP.	VOLT.	Westinghouse PART No.	AEROVOX PART No.	CORNELL-DUBILIER PART No.	MALLORY PART No.	PYRAMID PART No.	SANGAMO PART No.	SPRAGUE PART No.
C1	40	10	218V012M01	XPP10V40	NL50-10	TT10X50	ML40-15		
C2	40	3	218V012M10	XPP3V40	NL40-3	TT3X40	ML40-8		TE-1057
C3	5	12	218V012M09	XPP12V6	NL5-16	TT12X6	ML5-15		TE-1127
C4	5	12	218V012M09	XPP12V6	NL5-16	TT12X6	ML5-15		TE-1127
C5	40	10	218V012M01			TT10X50	ML40-15		
C6	40	3	218V012M02	XPP3V40	NL40-3	TT3X40	ML40-8		TE-1057

FIXED CAPACITORS

Capacity values given in the rating column are in mfd. for Paper Capacitors, and in mmfd. for Mica and Ceramic Capacitors.

ITEM No.	RATING		REPLACEMENT DATA						NOTES	
	CAP.	VOLT	Westinghouse PART No.	AEROVOX PART No.	CENTRALAB PART No.	CORNELL-DUBILIER PART No.	ERIE PART No.	MALLORY PART No.		SPRAGUE PART No.
C7	4700		215V300M04	BPD-0047	DD-472	BYA10D47	ED-0047	UC-5247	5HK-D47	
C8	1000		215V300M15	BPD-001	DD-102	BYA6D1	ED-1000	DC521	5HK-D1	
C9	10000		215V300M12	BPD-01	DD-103	BYA6S1	ED-01	DC511	5HK-S1	
C10	10000		215V300M12	BPD-01	DD-103	BYA6S1	ED-01	DC511	5HK-S1	
C11	10000		215V300M12	BPD-01	DD-103	BYA6S1	ED-01	DC511	5HK-S1	
C12	50000		215V303M03	BPD-05	DF-603					
C13	20000		215V303M04	BPD-02	DD-203	BYA6S2	ED-02	DC522	5HK-S2	Note 1
C14	1000		215V300M15	BPD-001	DD-102	BYA6D1	ED-001	DC521	5HK-D1	
C15	1000		215V300M15	BPD-001	DD-102	BYA6D1	ED-001	DC521	5HK-D1	Note 2

Note 1: Early versions use .1MFD (Part #215V303M02).

Note 2: Early versions use .05MFD (Part #215V303M03).

CONTROLS

ITEM No.	RATING		REPLACEMENT DATA				INSTALLATION NOTES	
	RESISTANCE	WATTS	Westinghouse PART No.	CENTRALAB PART No.	CLAROSTAT PART No.	IRC PART No.		MALLORY PART No.
R1	5000Ω	1/4	270V024M01					Volume & Switch

RESISTORS

All wattages 1/2 watt, or less, unless otherwise listed.

ITEM No.	RATING		REPLACEMENT DATA		NOTES	ITEM No.	RATING		REPLACEMENT DATA		NOTES
	OHMS	WATT	Westinghouse PART No.	IRC PART No.			OHMS	WATT	Westinghouse PART No.	IRC PART No.	
R2	39K		250V223A93	BTS-39K		R11	56K		250V235A63	BTS-56K	
R3	8200Ω		250V228A22	BTS-8200		R12	22K		250V222A23	BTS-22K	
R4	4700Ω		250V224A72	BTS-4700		R13	3300Ω		250V223A32	BTS-3300	
R5	1000Ω		250V231A02	BTS-1000		R14	2200Ω		250V222A22	BTS-2200	
R6	100Ω		250V221A01	BTS-100		R15	1000Ω		250V221A02	BTS-1000	
R7	15K		250V221A53	BTS-15K		R16	12K		250V221A23	BTS-12K	
R8	1000Ω		250V221A02	BTS-1000		R17	1500Ω		250V221A52	BTS-1500	
R9	470Ω		250V224A71	BTS-470		R18	39Ω		250V223A90	BTS-39	
R10	1500Ω		250V221A52	BTS-1500		R19	470Ω		250V224A71	BTS-470	

TRANSFORMER (AUDIO OUTPUT)

ITEM No.	IMPEDANCE		REPLACEMENT DATA					NOTES	
	PRI.	SEC.	Westinghouse PART No.	Haldorson PART No.	Merit PART No.	Stancor PART No.	Thordarson PART No.		Triad PART No.
T1	510Ω	12Ω	430V034M01				TR-19 ①		① Do not use center tap on primary winding. Bend mtg. tabs under.

PARTS LIST AND DESCRIPTIONS (Continued)

SPEAKER

ITEM No.	TYPE			REPLACEMENT DATA		NOTES
				Westinghouse PART No.	QUAM PART No.	
	SIZE	FIELD	V. C. IMP.			
SP1	2 3/4"	PM	12Ω	570V004M01		

COILS (RF-IF)

ITEM No.	USE	REPLACEMENT DATA				NOTES
		Westinghouse PART No.	MEISSNER PART No.	MERIT PART No.	MILLER PART No.	
L1	Loop Stick	310V012M02				
L2	Osc. Coil	230V026M01				
L3	1st IF Trans.	235V014M01				
L4	2nd IF Trans.	235V014M01				
L5	3rd IF Trans.	235V014M02				

BATTERIES

ITEM No.	VOLTAGE	Westinghouse PART No.	REPLACEMENT DATA								
			BURGESS			EVEREADY			MALLORY		
			"A"	"B"	"A-B"	"A"	"B"	"A-B"	"A"	"B"	"A-B"
M1	9V			P-6			228			M1800	

CRYSTAL DIODES

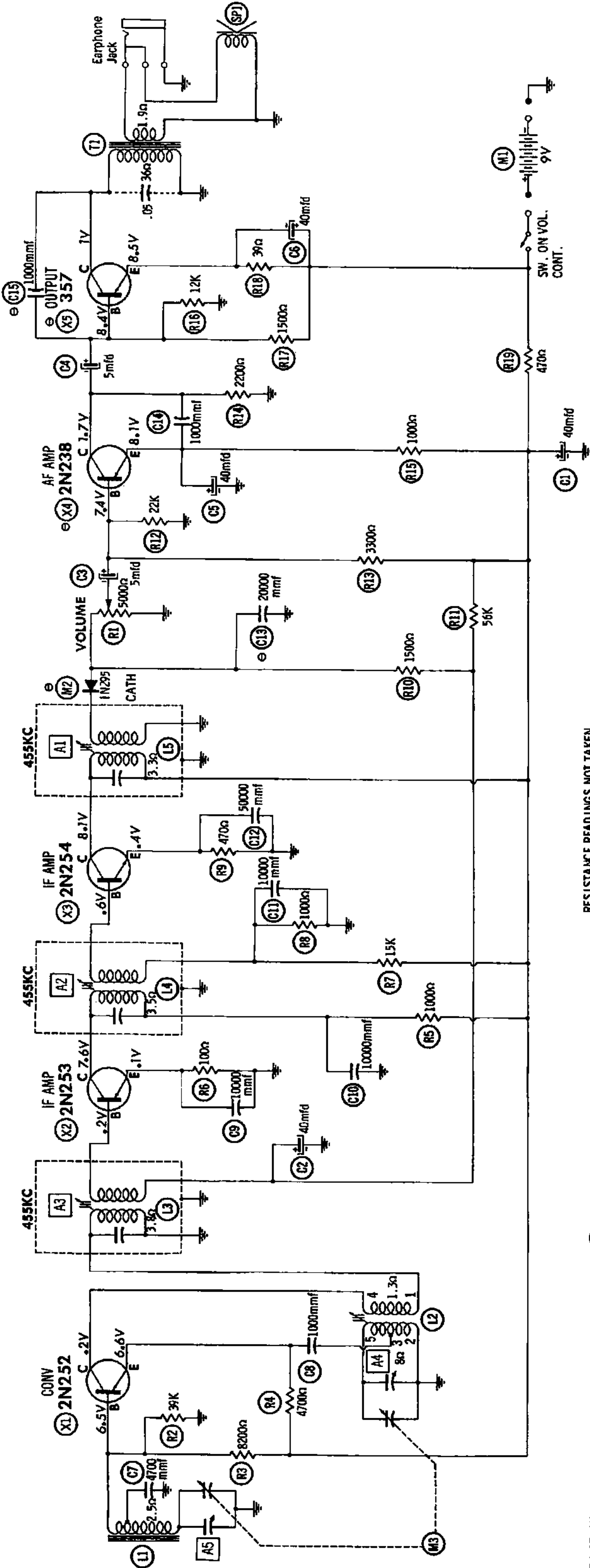
ITEM No.	ORIG. TYPE	REPLACEMENT DATA		NOTES
		Westinghouse PART No.	SYLVANIA PART No.	
M2	1N87G or 1N295	298V002M01	1N80	Audio Detector (Pigtail)

MISCELLANEOUS

ITEM No.	PART NAME	Westinghouse PART No.	NOTES
M3	Tuning Cap.	330V005M01	Two Gang
	Ear Piece	763V003M01	
	Case	513V012M01	Carrying
	Knob	580V033M01	Tuning
	Knob	560V017M01	On-Off-Volume
	Cabinet	519V006M04	Model H610P5 (Charcoal Gray)
	Cabinet	513V006M05	Model H611P5 (Blue)
	Cabinet	519V006M06	Model H612P5 (Yellow)

DISASSEMBLY

1. Turn tuning dial to high frequency end. Hold dial and remove screw from center of dial. Remove dial.
2. Loosen screw on cabinet back. Remove back.
3. Remove screw at tuning gang end of printed board.
4. Hold cabinet with back up and slide printed board toward tuning gang end of cabinet until upper end of speaker bracket is free of plastic lip.
5. Lift upper end of printed board over lip and remove from cabinet.



A PHOTOFACT STANDARD NOTATION SCHEMATIC
 © Howard W. Sams & Co., Inc. 1957



RESISTANCE READINGS NOT TAKEN
 BECAUSE OF THE WIDE VARIATION IN
 INTERNAL TRANSISTOR RESISTANCE

DC COIL RESISTANCE VALUES UNDER ONE OHM NOT
 SHOWN ON SCHEMATIC DIAGRAM.

SEE PARTS LIST FOR ALTERNATE
 VALUE OR APPLICATION

1. DC voltage measurements taken with vacuum tube voltmeter.
2. Socket connections are shown as bottom views.
3. Measured values are from socket pin to common negative.
4. Nominal tolerance on component values makes possible a variation of $\pm 15\%$ in voltage and resistance readings.
5. Volume control at maximum, no signal applied for voltage measurements.