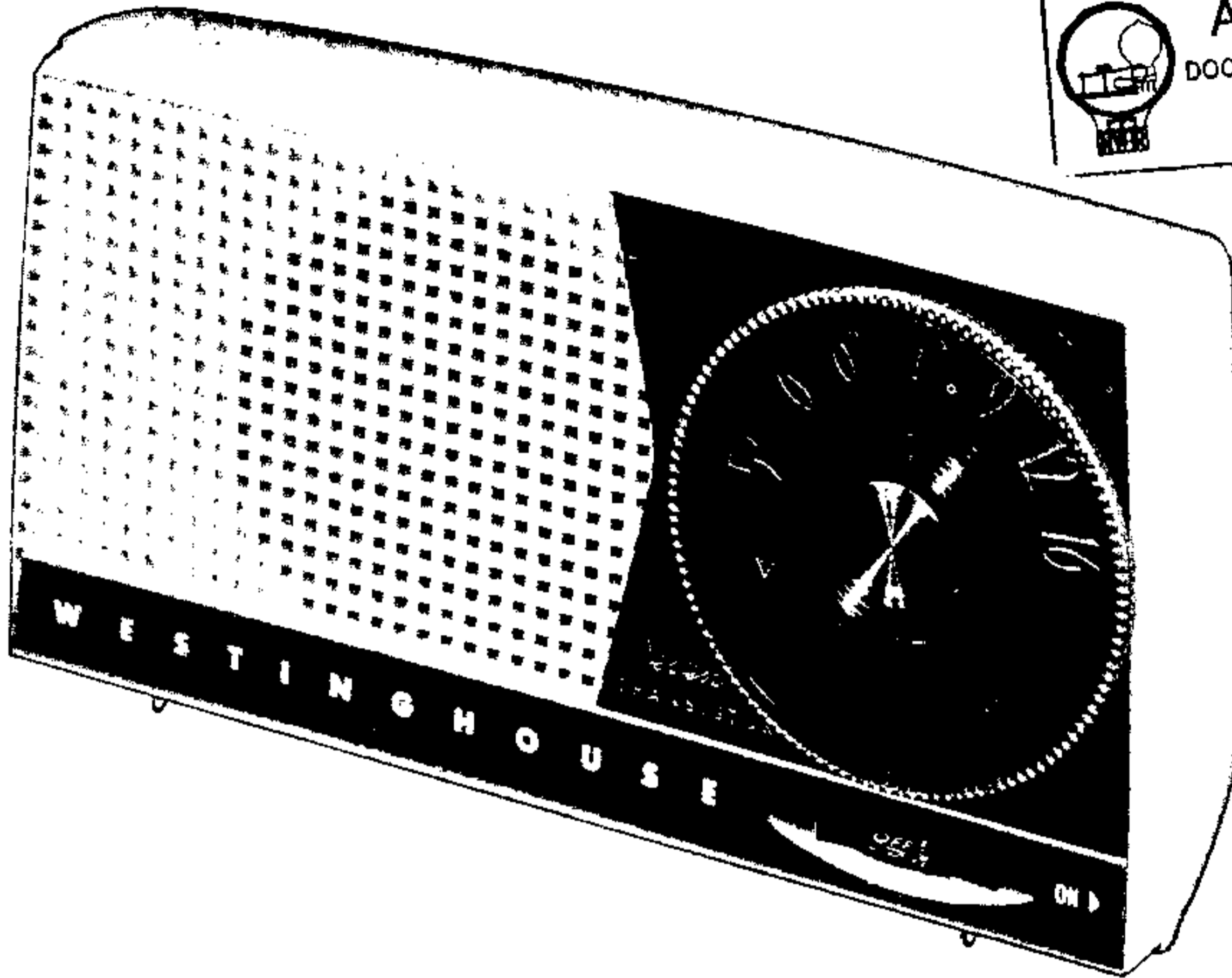
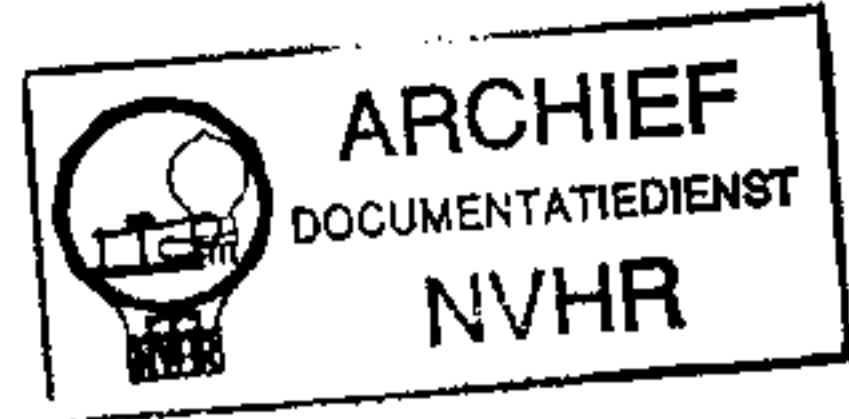




Ned. Ver. v. Historie v/d

Met dank aan Jef Bos



WESTINGHOUSE MODELS H-587P7A, H-588P7A, H-589P7A, H-617P7, H-618P7, H-619P7 (Ch. V-2278-3)

TRADE NAME	Westinghouse Models H-587P7A, H-588P7A, H-589P7A, H-617P7, H-618P7, H-619P7 (Ch. V-2278-3)		
MANUFACTURER	Westinghouse Electric Corp., TV-Radio Div., Metuchen, N.J.		
TYPE SET	Battery Operated Transistorized AM Receiver		
POWER SUPPLY	9 Volts DC	RATING	6MA @ 9 volts DC
TUNING RANGE—BROADCAST	540KC - 1600KC		

ALIGNMENT INSTRUCTIONS—READ CAREFULLY BEFORE ATTEMPTING ALIGNMENT

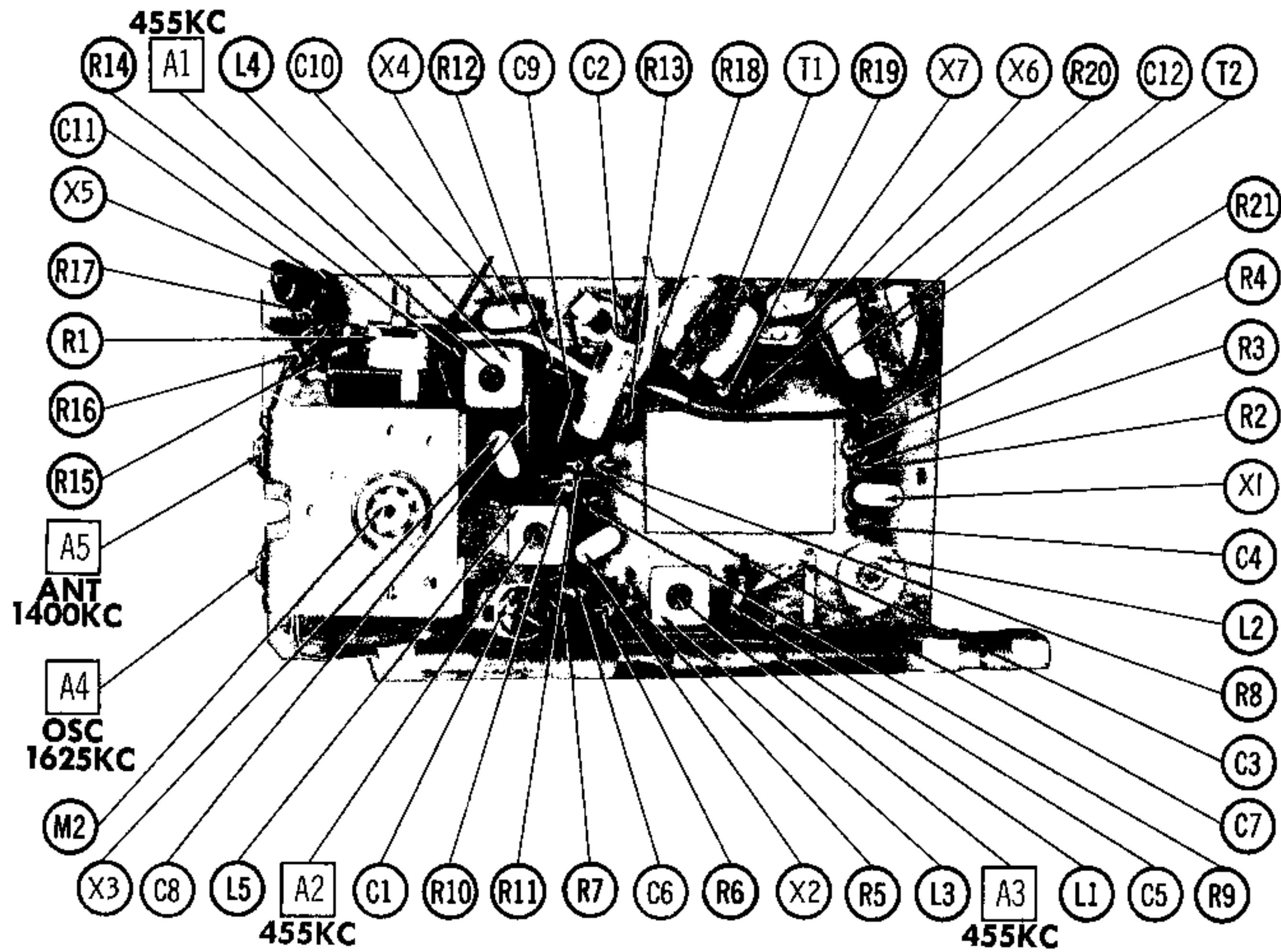
Volume control should be at maximum position. Output of signal generator should be no higher than necessary to obtain an output reading. Use an insulated alignment screwdriver for adjusting.

DUMMY ANTENNA	SIGNAL GENERATOR COUPLING	SIGNAL GENERATOR FREQUENCY	BAND SWITCH POS.	RADIO DIAL SETTING	OUTPUT METER	ADJUST	REMARKS
1	Loop	455KC (400 μ Mod)		Tuning gang fully closed	Across voice coil	A1, A2, A3	Fashion loop of several turns of wire and radiate signal into loop of receiver. Adjust for maximum output.
2	"	1625KC		Tuning gang fully open	"	A4	"
3	"	1400KC		Tune to 1400KC signal	"	A5	"

HOWARD W. SAMS & CO., INC. • Indianapolis 5, Indiana

"The listing of any available replacement part herein does not constitute in any case a recommendation, warranty or guaranty by Howard W. Sams & Co., Inc., as to the quality and suitability of such replacement part. The numbers of these parts have been compiled from information furnished to Howard W. Sams & Co., Inc., by the manufacturers of the particular type of replacement part listed."

tent, in any manner, is prohibited. No patent liability is assumed with respect to the use of the information contained herein. Copyright 1957 by Howard W. Sams & Co., Inc., Indianapolis 5, Indiana, U. S. of America. Copyright under international Copyright Union. All rights reserved under Inter-American Copyright Union (1910) by Howard W. Sams & Co., Inc." Printed in U. S. of America



CHASSIS-TOP VIEW

PARTS LIST AND DESCRIPTIONS

TRANSISTORS

ITEM No.	USE	Westinghouse PART No.	Notes	ITEM No.	USE	Westinghouse PART No.	Notes
X1	Converter (2N252)	297V009M01		X1	Driver (2N252)	297V009M01	
X2	1st. IF Amp. (2N253)	297V009M04		X2	Driver (2N253)	297V009M01	Note 1
X3	2nd. IF Amp. (2N254)	297V009M08		X3	Driver (2N254)	297V009M01	Note 1
X4	Det. -AVC (880)	297V009M01					

Note 1: X2 & X3 should be a matched pair

ELECTROLYTIC CAPACITORS

ITEM No.	RATING		Westinghouse PART No.	REPLACEMENT DATA					
	CAP	VOLT		AEROVOX PART No.	CORNELL-DUBILIER PART No.	MALLORY PART No.	PYRAMID PART No.	SANGAMO PART No.	SPRAGUE PART No.
C1	4M	10	215V300M04	BPD-01	DD-102	BYA6D1	ML40-15		R2329*
C2	4M	10	215V300M08	BPD-01	DD-102	BYA6D1	ML40-6		TE-1057

* Non-polarized

FIXED CAPACITORS

Capacity values given in the rating column are in mfd. for Paper Capacitors, and in mmfd. for Mica and Ceramic Capacitors.

ITEM No.	RATING		Westinghouse PART No.	REPLACEMENT DATA					NOTES
	CAP	VOLT		AEROVOX PART No.	CENTRALAB PART No.	CORNELL-DUBILIER PART No.	ERIE PART No.	MALLORY PART No.	
C3	47000		215V300M04	BPD-0047	DD-472	BYA10D47	ED-0047	UC-5247	5HK-D47
C4	1000		215V300M15	BPD-001	DD-102	BYA6D1	ED-1000	DC521	5HK-D1
C5	10000		215V300M12	BPD-01	DD-103	BYA681	ED-01	DC511	5HK-S1
C6	10000		215V300M12	BPD-01	DD-103	BYA681	ED-01	DC511	5HK-S1
C7	10000		215V300M11						
C8	50000		215V303M03	BPD-05	DF-503				5HK-S5
C9	10000		215V300M12	BPD-01	DD-103	BYA681	ED-01	DC511	5HK-S1
C10	10000		215V300M11						
C11	1000		215V300M15	BPD-001	DD-102	BYA6D1	ED-1000	DC521	5HK-D1
C12	50000		215V303M03	BPD-05	DF-503				5HK-D5

CONTROLS

ITEM No.	RATING		REPLACEMENT DATA					INSTALLATION NOTES
	RESISTANCE	WATTS	Westinghouse PART No.	CENTRALAB PART No.	CLAROSTAT PART No.	IRC PART No.	MALLORY PART No.	
R1	50000	1/4	270V024M01					Volume & Switch

RESISTORS

All wattages 1/2 watt, or less, unless otherwise listed.

ITEM No.	RATING		REPLACEMENT DATA		NOTES	ITEM No.	RATING		REPLACEMENT DATA		NOTES
	OHMS	WATT	Westinghouse PART No.	IRC PART No.			Westinghouse PART No.	IRC PART No.			
R2	39K		250V223A93	BTS-39K		R12	3300		250V223A32	BTS-3300	
R3	8200		250V228A22	BTS-8200		R13	330		250V223A31	BTS-330	
R4	4700		250V224A72	BTS-4700		R14	330K		250V223A34	BTS-330K	
R5	3900		250V223A92	BTS-3900		R15	680		250V228A81	BTS-680	
R6	15K		250V221A53	BTS-15K		R16	82K		250V228A23	BTS-82K	
R7	1000		250V231A02	BTS-1000		R17	220		250V222A21	BTS-220	
R8	2200		250V222A22	BTS-2200		R18	6800		250V228A82	BTS-6800	
R9	1000		250V221A02	BTS-1000		R19	100		250V221A01	BTS-100	
R10	15K		250V221A53	BTS-15K		R20	10		250V221A00	BTS-10	
R11	470		250V224A71	BTS-470		R21	220		250V232A21	BTS-220	

PARTS LIST AND DESCRIPTIONS (Continued)

TRANSFORMER (DRIVER)

ITEM No.	Turns Ratio		REPLACEMENT DATA					NOTES	
	PRI.	SEC.	Westinghouse PART No.	Haldorson PART No.	Merit PART No.	Stancor PART No.	Thordarson PART No.		Triad PART No.
T1	2:	1	430V024M01 ①	GHI17		TA-5	TR-7		① Alternate part #430V024M02

TRANSFORMER (AUDIO OUTPUT)

ITEM No.	IMPEDANCE		REPLACEMENT DATA					NOTES	
	PRI.	SEC.	Westinghouse PART No.	Haldorson PART No.	Merit PART No.	Stancor PART No.	Thordarson PART No.		Triad PART No.
T2	1200Ω CT	11Ω	430V025M01 ①						① Alternate part # 430V025M02

SPEAKER

ITEM No.	TYPE			REPLACEMENT DATA		NOTES
	SIZE	FIELD	V. C. IMP.	Westinghouse PART No.	QUAM PART No.	
SPI	2 3/4"	PM	11Ω	570V004M01		

COILS (RF-IF)

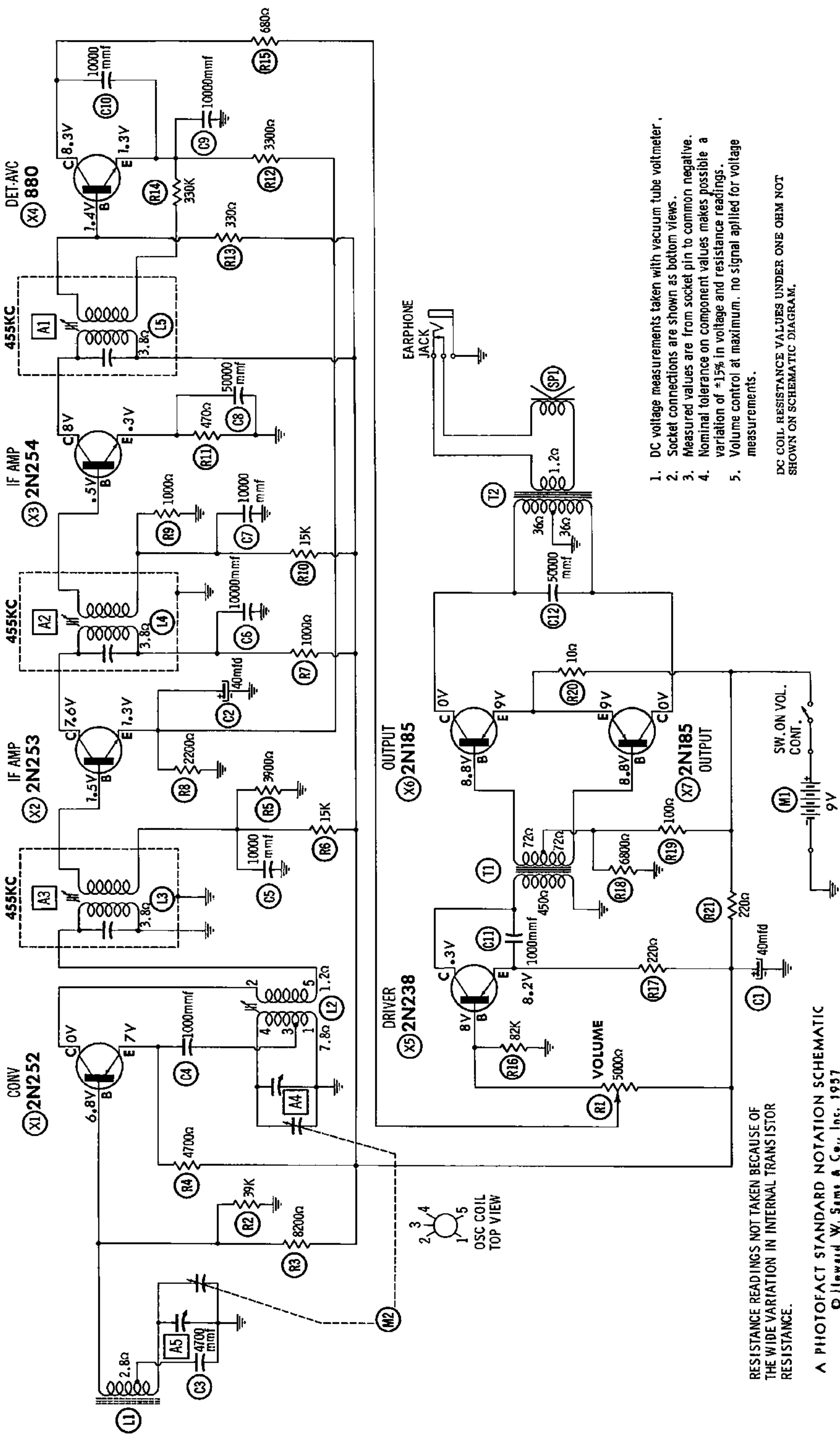
ITEM No.	USE	REPLACEMENT DATA				NOTES
		Westinghouse PART No.	MEISSNER PART No.	MERIT PART No.	MILLER PART No.	
L1	Loop Stick	310V012M03				
L2	Osc. Coil	230V026M01				
L3	1st. IF	235V014M01			9C1	
L4	2nd. IF	235V014M01			9C1	
L5	3rd. IF	235V014M02			9C2	

BATTERIES

ITEM No.	VOLTAGE	Westinghouse PART No.	REPLACEMENT DATA								NOTES
			BURGESS		EVEREADY		MALLORY		RAY-O-VAC		
			"A"	"B"	"A"	"B"	"A"	"B"	"A"	"B"	
M1	9V			P8		226		M-1600		1600	

MISCELLANEOUS

ITEM No.	PART NAME	Westinghouse PART No.	NOTES
M2	Tuning Cap. Printed Board Phone Jack Knob Knob Screw Screw Cabinet Cabinet Cabinet Back Cover Back Cover Back Cover Case Connector Ass'y.	930V005M01 V-2278-3 754V008M01 550V016M01 550V017M01 761V804M01 761V803M01 513V006M01 513V006M02 513V006M03 V-19021-1 V-19021-2 V-19021-3 513V008M01 754V007M01	Two Gang (23-135MMF, 30-95MMF) Dial On-Off-Volume Dial Knob Cabinet Back Model H-617P7, H-587P7A Model H-618P7, H-588P7A Model H-619P7, H-589P7A Model H-617P7, H-587P7A Model H-618P7, H-588P7A Model H-619P7, H-589P7A Leather Battery, Positive Terminal



1. DC voltage measurements taken with vacuum tube voltmeter.
2. Socket connections are shown as bottom views.
3. Measured values are from socket pin to common negative.
4. Nominal tolerance on component values makes possible a variation of ±15% in voltage and resistance readings.
5. Volume control at maximum, no signal applied for voltage measurements.

DC COIL RESISTANCE VALUES UNDER ONE OHM NOT SHOWN ON SCHEMATIC DIAGRAM.

RESISTANCE READINGS NOT TAKEN BECAUSE OF THE WIDE VARIATION IN INTERNAL TRANSISTOR RESISTANCE.