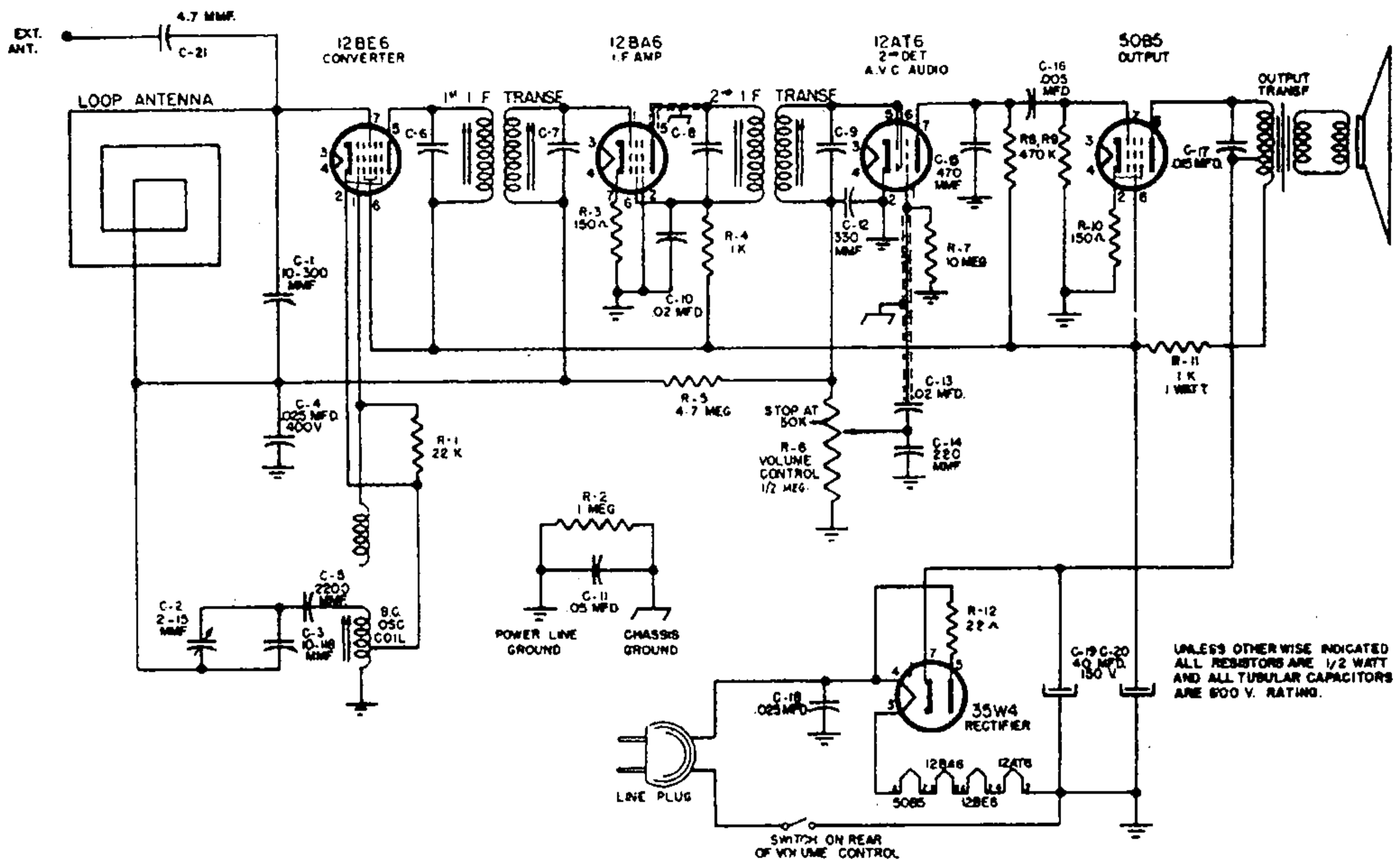
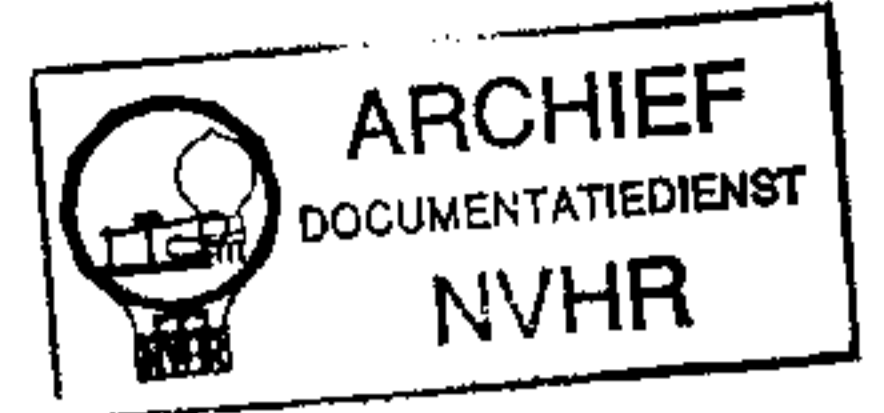


Westinghouse Model 501-M

Ned. Ver. v. Historie v/d Ra



ALIGNMENT INSTRUCTIONS

General

Before commencing alignment, the receiver must be completely removed from the cabinet in order that trimmers, etc., are accessible.

If any I.F. circuits have been disturbed, complete I.F. and R.F. alignment must follow.

I.F. Alignment

1. Set volume control fully clockwise and gang capacitor to minimum capacity (plates fully disengaged). A high resistance A.C. voltmeter connected across the voice coil may be used as an output meter.

NOTE: During alignment, the output from the signal generator must be progressively reduced as the circuits are brought into line so that the output does not exceed 500 mW. (1.25 volts across the voice coil).

2. Apply a modulated signal at 455 kc/s (modulated at 400 cycles to 30 per cent) to the grid of the mixer via a 0.1 mfd. blocking capacitor; adjust cores of 2nd and 1st I.F. transformers in that order for maximum output.

3. Repeat procedure outlined in "2" above until no further increase is obtained.

R.F. Alignment

Set controls as in operation 1 of I.F. Alignment and connect signal generator to radiation loop consisting of 2 turns of insulated wire having an 8-inch diameter and placed approximately one foot from receiver antenna loop.

Operation No.	Signal Generator Dial Setting in kc/s.	Radio Dial Setting in kc/s.	Operation
1	1615	1615 (plates fully disengaged)	Adjust oscillator trimmer for maximum output.
2	535	535 (plates fully engaged)	Adjust core of oscillator coil for maximum output.
3	Repeat operations 1 and 2 until no further increase is obtained.
4	600	Tune in	Adjust loop for maximum output by crimping or enlarging the loop.