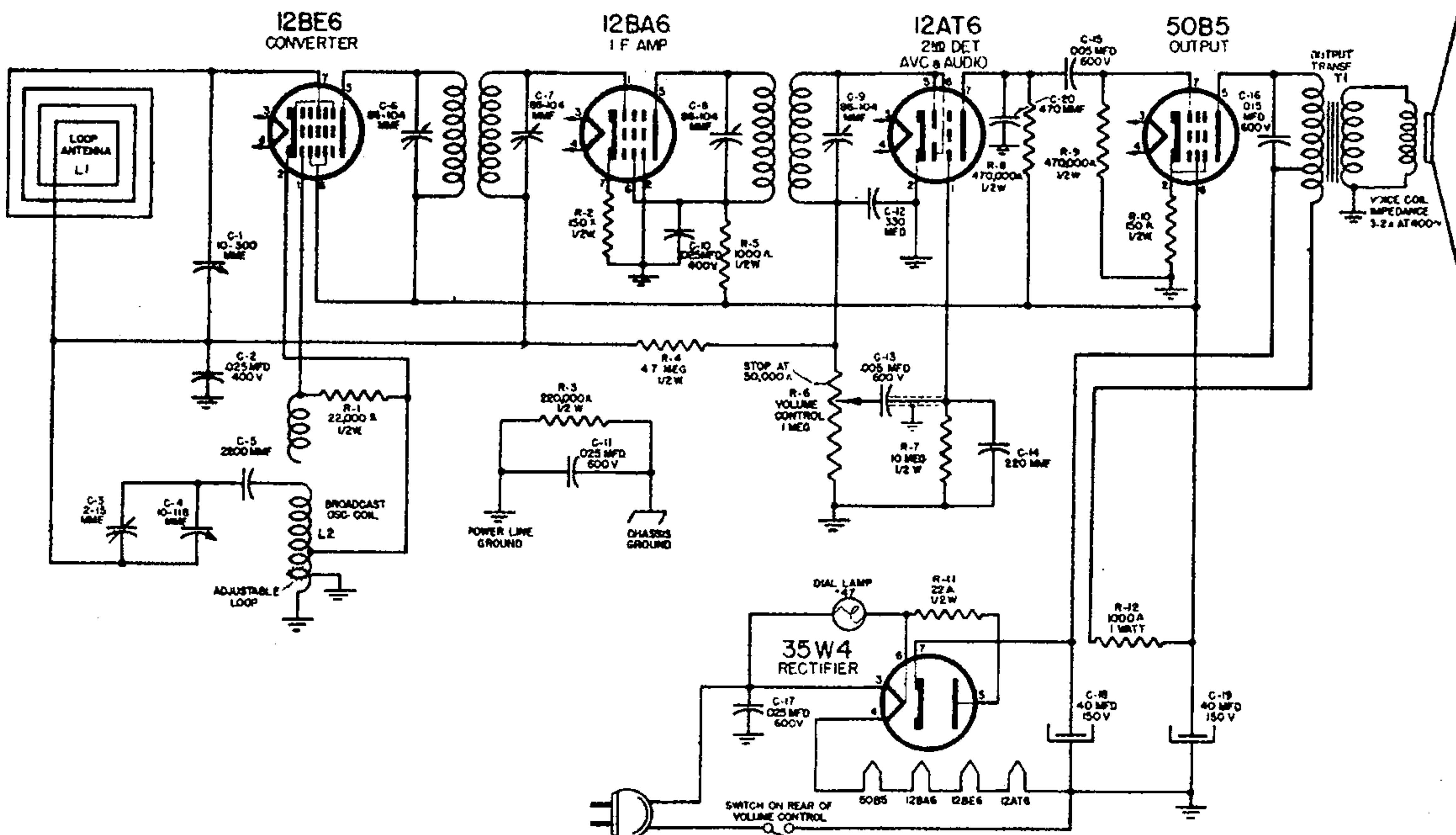


CANADIAN WESTINGHOUSE MODEL 501



PERFORM OPERATIONS IN NUMERICAL ORDER AS SHOWN IN BRACKETS

ALIGNMENT PROCEDURE

NOTE: - CONNECT SIGNAL GENERATOR TO ONE TURN LOOP PLACED APPROX. ONE FOOT FROM ANTENNA LOOP, FOR OPERATIONS 2, 3, 4, AND 5.

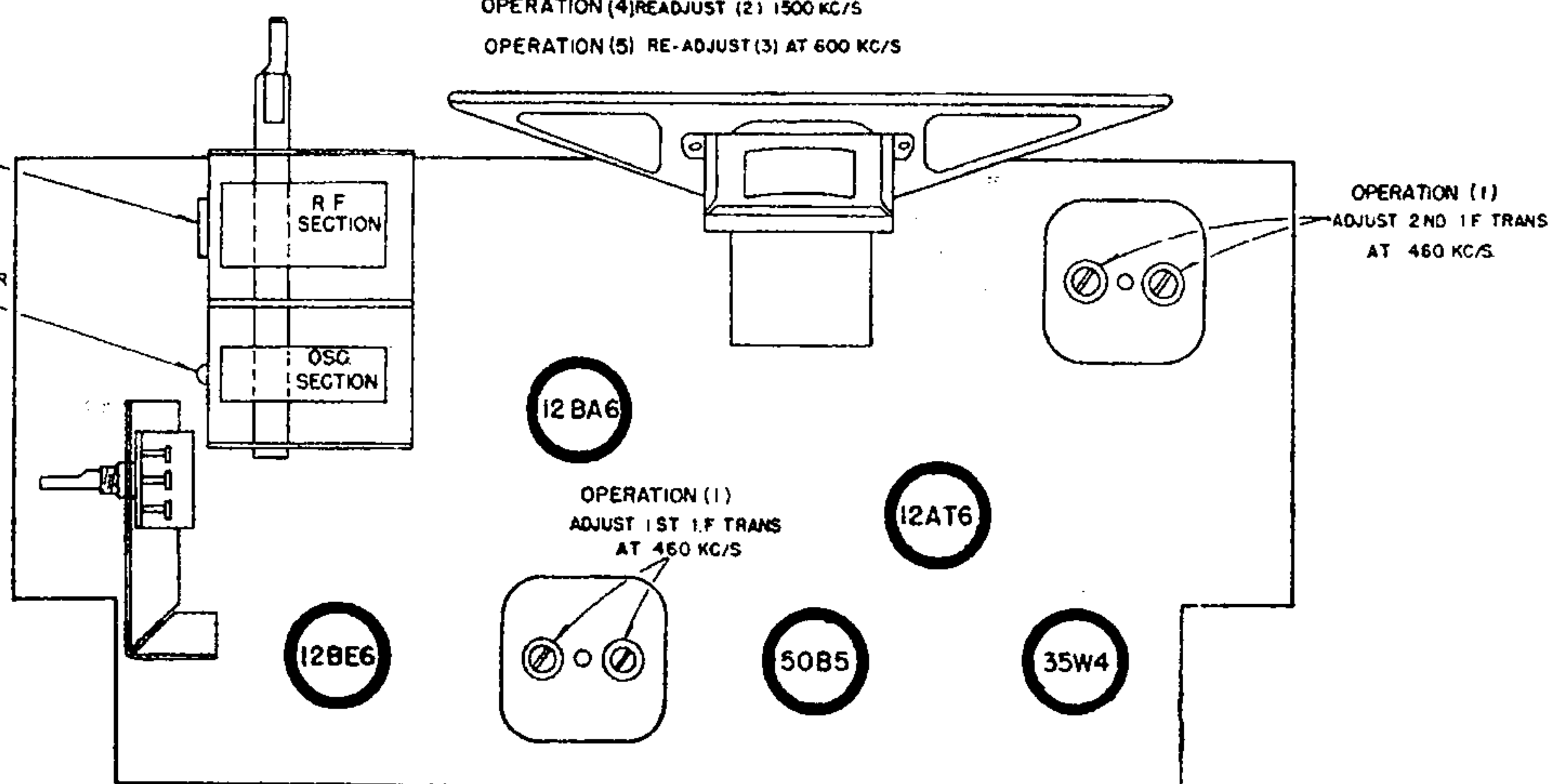
- OPERATION (3) ADJUST OSC LOOP AT 540 KC/S
- OPERATION (4) READJUST (2) AT 1500 KC/S
- OPERATION (5) RE-ADJUST (3) AT 600 KC/S

OPERATION (1) ONLY
CONNECT SIGNAL GENERATOR
TO THIS POINT THROUGH A
1 MFD. CAPACITOR.

OPERATION (2)
ADJUST OSC. TRIMMER
AT 1640 KC/S.

OPERATION (1)
ADJUST 2ND I.F. TRANS
AT 460 KC/S

OPERATION (1)
ADJUST 1ST I.F. TRANS
AT 460 KC/S



This is an AC-DC superheterodyne receiver with a frequency range of 535-1615 kc. It uses a 12BE6 converter, a 12BA6 I.F. amplifier, a 12AT6 2nd det.-AVC-audio, a 50B5 output tube and a 35W4 rectifier. It employs a 5-inch speaker with a voice coil impedance of 3.2 ohms.