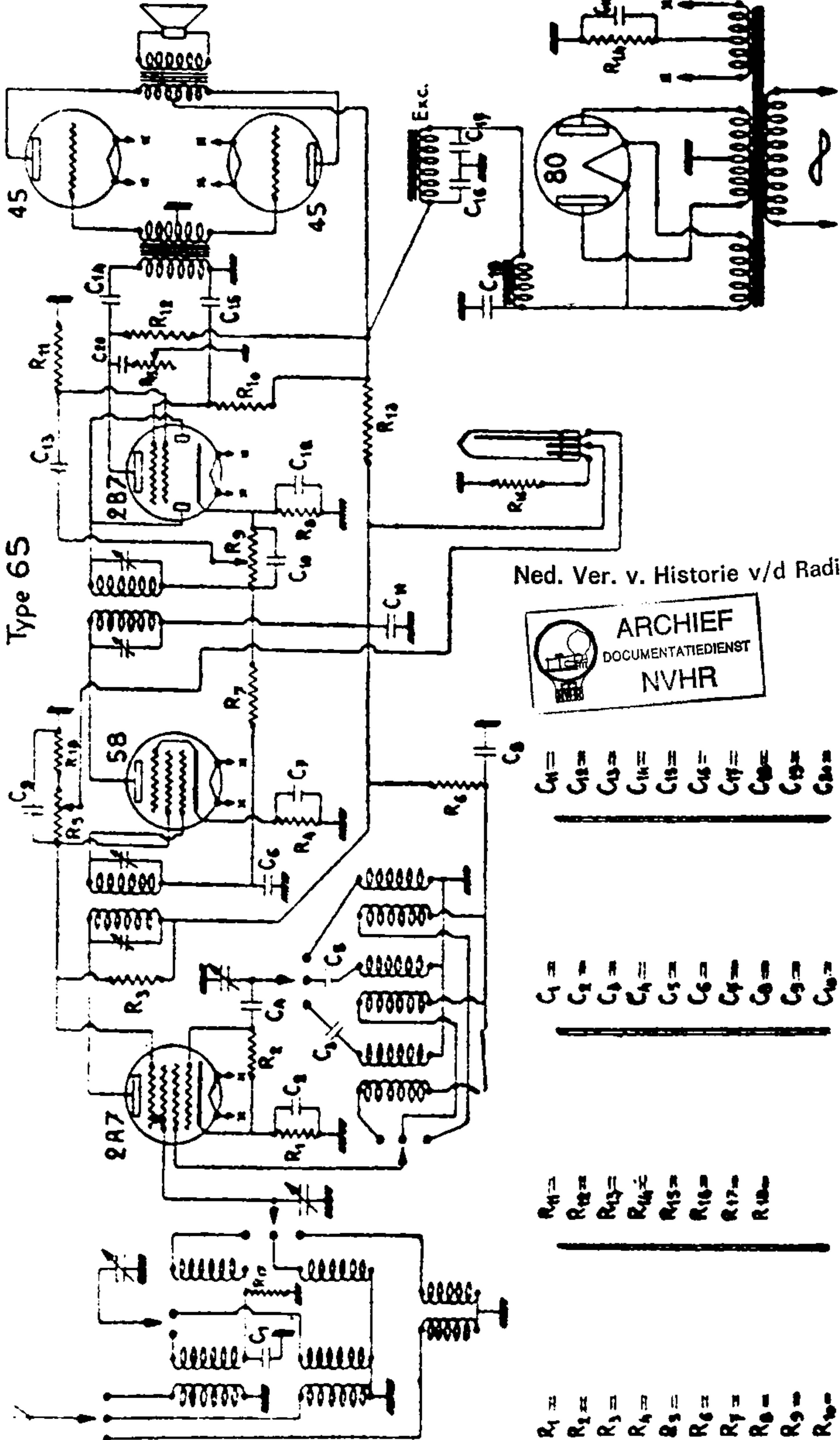
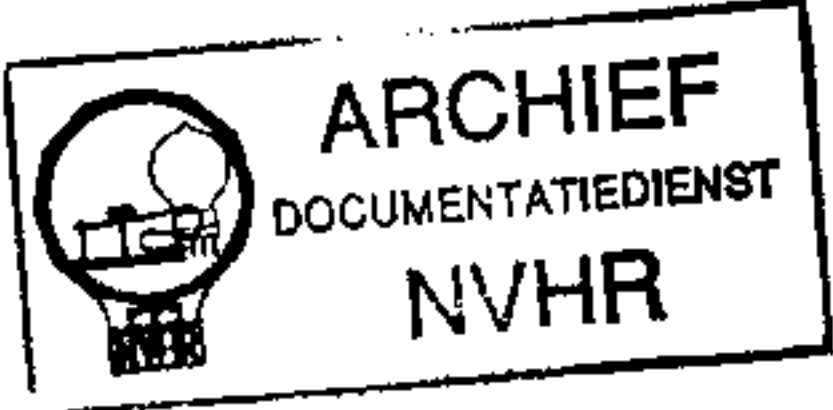


# Schéma du Poste 6 lampes

Type 65



Ned. Ver. v. Historie v/d Radio



- C<sub>1</sub> =
  - C<sub>2</sub> =
  - C<sub>3</sub> =
  - C<sub>4</sub> =
  - C<sub>5</sub> =
  - C<sub>6</sub> =
  - C<sub>7</sub> =
  - C<sub>8</sub> =
  - C<sub>9</sub> =
  - C<sub>10</sub> =
- 
- C<sub>11</sub> =
  - C<sub>12</sub> =
  - C<sub>13</sub> =
  - C<sub>14</sub> =
  - C<sub>15</sub> =
  - C<sub>16</sub> =
  - C<sub>17</sub> =
  - C<sub>18</sub> =
  - C<sub>19</sub> =
  - C<sub>20</sub> =
- 
- R<sub>1</sub> =
  - R<sub>2</sub> =
  - R<sub>3</sub> =
  - R<sub>4</sub> =
  - R<sub>5</sub> =
  - R<sub>6</sub> =
  - R<sub>7</sub> =
  - R<sub>8</sub> =
  - R<sub>9</sub> =
  - R<sub>10</sub> =
  - R<sub>11</sub> =
  - R<sub>12</sub> =
  - R<sub>13</sub> =
  - R<sub>14</sub> =
  - R<sub>15</sub> =
  - R<sub>16</sub> =
  - R<sub>17</sub> =
  - R<sub>18</sub> =
- 
- L<sub>1</sub> =
  - L<sub>2</sub> =
  - L<sub>3</sub> =
  - L<sub>4</sub> =
  - L<sub>5</sub> =
  - L<sub>6</sub> =
  - L<sub>7</sub> =
  - L<sub>8</sub> =
  - L<sub>9</sub> =
  - L<sub>10</sub> =