

RADIO BRIEF DESCRIPTION

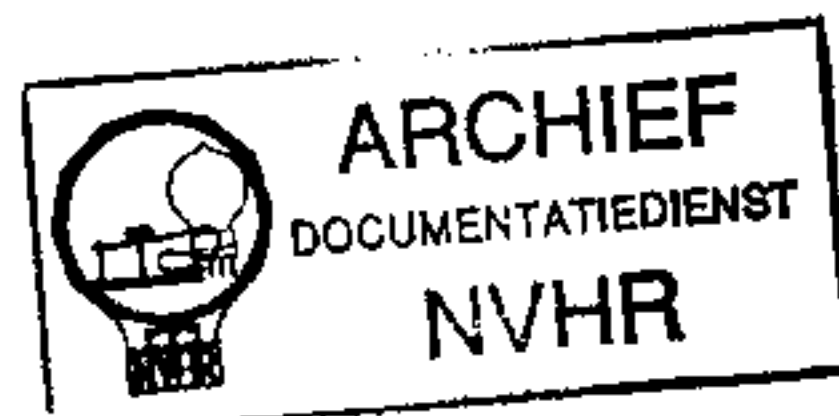
10 transistorized radio is designed for reception of broadcasting stations on medium wavebands with built-in ferrite antenna and on short waveband (16 m, 19 m, 25 m, 31 m, 41—50 m, 50—85 m and 85—200 m) with telescopic or exterior antenna, as well as for record playing.

In case of necessity an external loudspeaker with speech coil of about 5.6 ohm or earphone of 50—120 ohm resistance may be also used.

Transistors:

<p>T₁ and T₂ T₃ T₄, T₅ and T₆ T₇, T₈, T₉ and T₁₀</p>	<p>Heterodyne Mixer IF amplifier AF amplifier</p>
--	---

Ned. Ver. v. Historie v/c



Wavebands (frequencies)

Medium waves (MW)	571.6—186.9 m (525—1605 kc/s)
Short waves (SW)	200—85 m (3.53—1.5 Mc/s) 85—50 m (6.0—3.5 Mc/s) 50—41 m (5.95—7.3 Mc/s) 31 m (9.5—9.775 Mc/s) 25 m (11.7—11.975 Mc/s) 19 m (15.1—15.45 Mc/s) 16 m (17.7—17.9 Mc/s)
Intermediate frequency	465 ± 2 kc/s

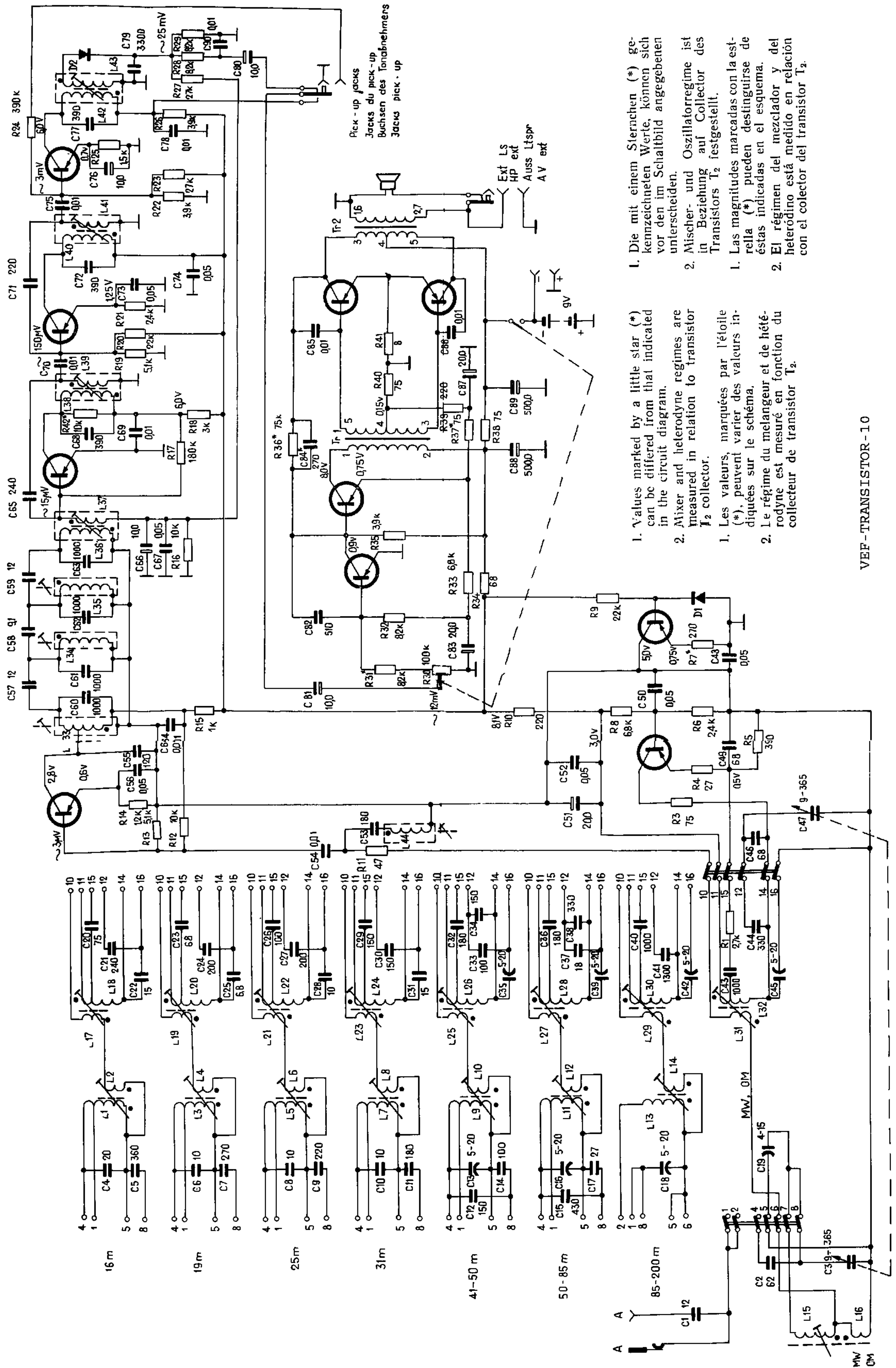
Mean sensitivity

In the medium waveband	1.5 mV/m
In the short wavebands	80 μV
Rated output power	150 mW (undistorted) 250 mW (maximum)
Overall dimensions	280 × 230 × 92 mm
Weight (less batteries)	2.2 kg

SCOPE OF DELIVERY

The radio is complete with:

- | | |
|---|---------|
| 1. Radio set | 1 piece |
| 2. Operating Instruction | 1 copy |
| 3. Power supply source (elements 373—6 pieces) | 1 set |
| 4. Plug for external acoustic system connecting | 1 piece |
| 5. Packing case | 1 set |



1. Values marked by a little star (*) can be differed from that indicated in the circuit diagram.

2. Mixer and heterodyne regimes are measured in relation to transistor T₂ collector.

1. Les valeurs, marquées par l'étoile (*), peuvent varier des valeurs indiquées sur le schéma.

2. Le régime du mélangeur et de hétérodyne est mesuré en fonction du collecteur de transistor T₂.

1. Die mit einem Sternchen (*) gekennzeichneten Werte, können sich vor den im Schaltbild angegebenen unterscheiden.

2. Mischer- und Oszillatorregime ist in Beziehung auf Collector des Transistors T₂ festgestellt.

1. Las magnitudes marcadas con la estrella (*) pueden distinguirse de éstas indicadas en el esquema.

2. El régimen del mezclador y del heteródino está medido en relación con el colector del transistor T₂.

Pick-up jacks
Jacks du pick-up
Buchsen des Tonabnehmers
Jacks pick-up

Ext LS
Hp ext
Auss Ltspr
AV ext