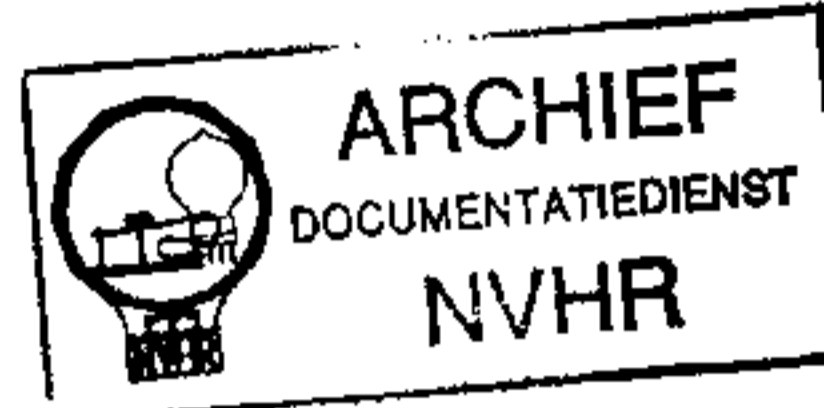




Met dank aan Jef Bos

TRADE NAME : Universal Model PTR-62B  
 SUPPLIER : Nichimen Co.,  
 60 Broad Street, New York, N. Y.  
 TYPE SET : 6 Transistor AM Receiver  
 POWER SUPPLY : 9 Volts DC  
 RATING : 8MA @ 9 VDC (No Signal, Min. Volume)  
 20MA @ 9 VDC (Signal, Normal Volume)  
 TUNING RANGE : BROADCAST 540 - 1620KC

Ned. Ver. v. Historie v

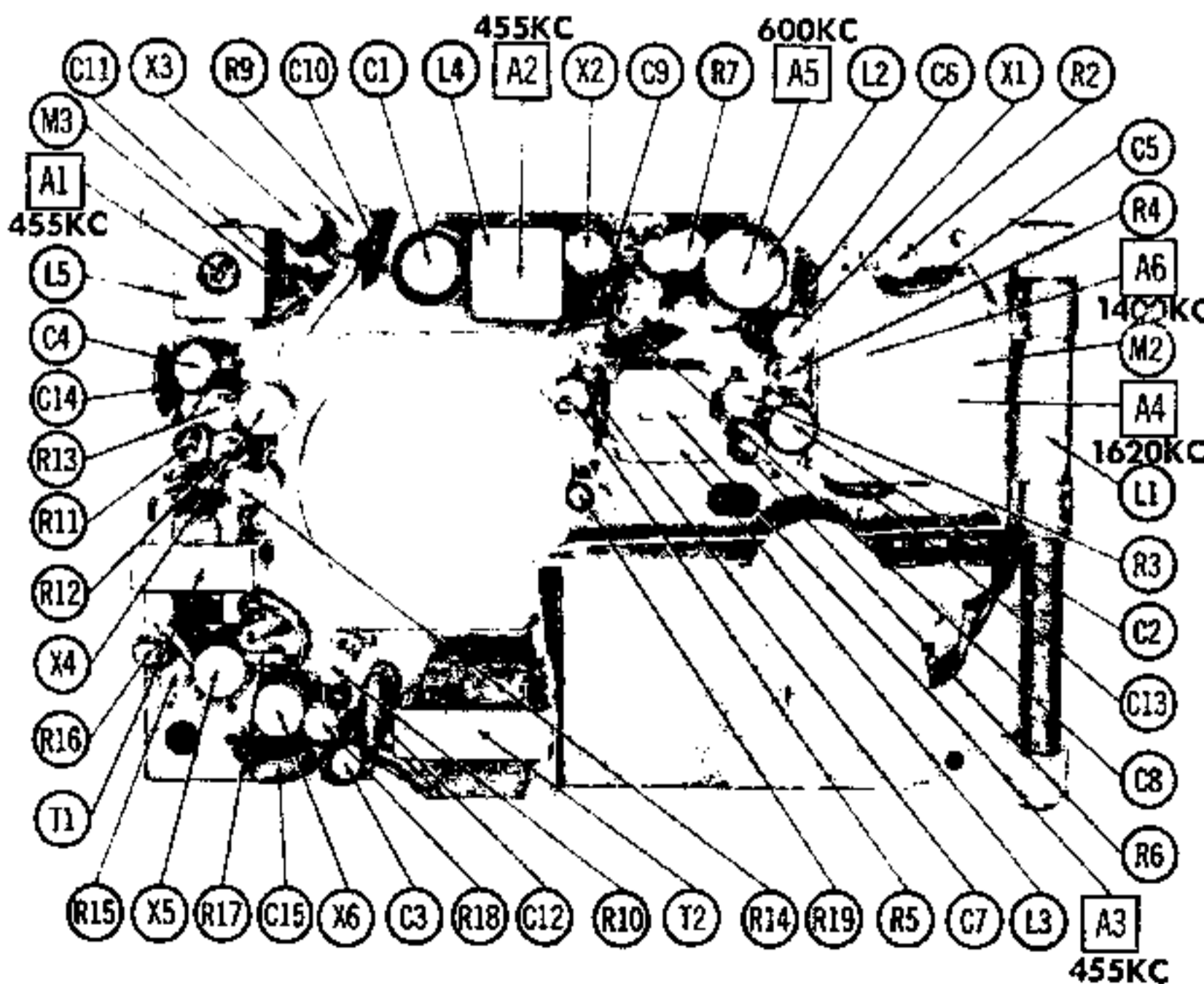


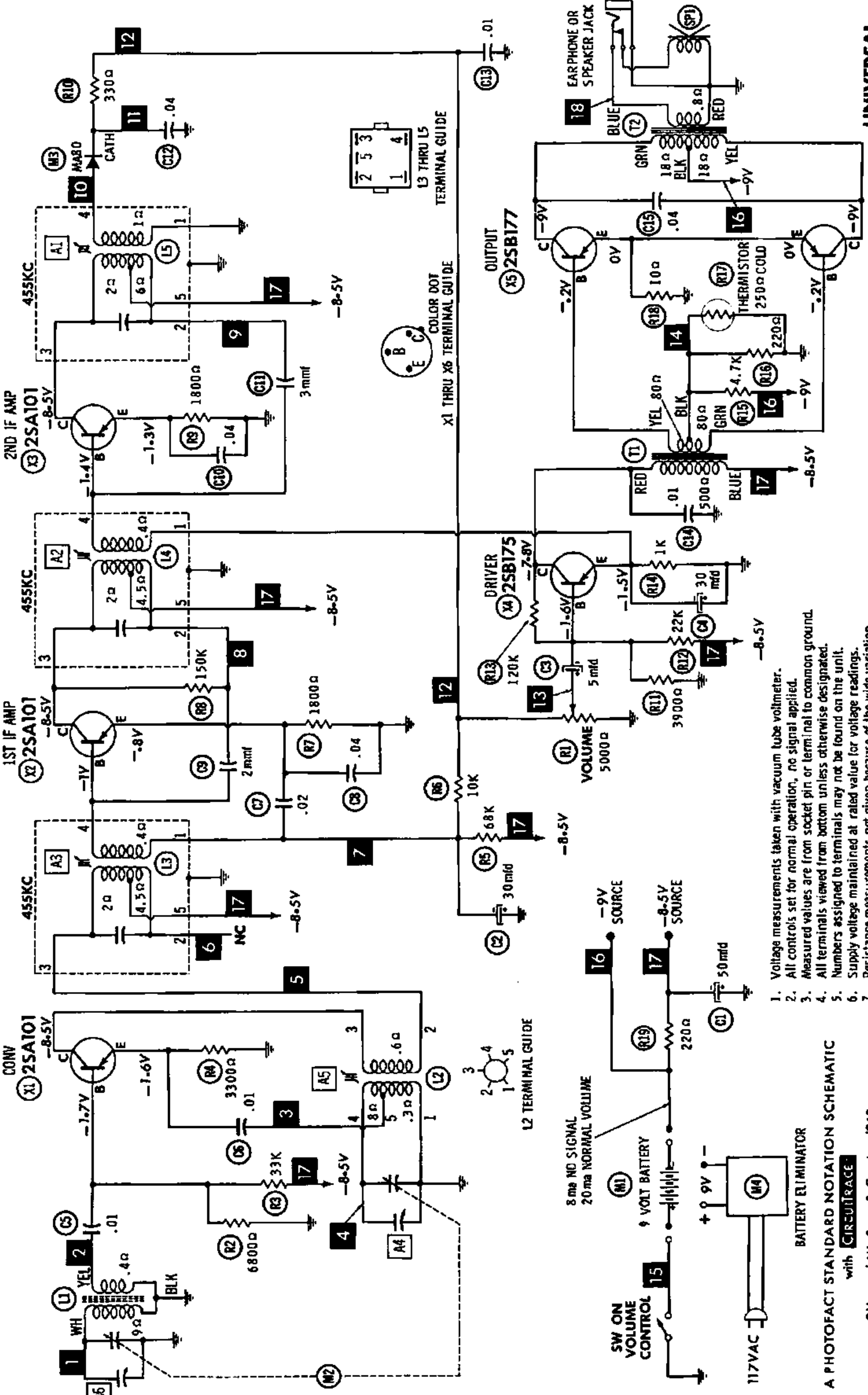
## ALIGNMENT INSTRUCTIONS

Check for specified source voltage.  
 Fashion loop of several turns of wire and connect generator across loop.  
 Adjust output of generator to radiate only enough signal into receiver to obtain a suitable indication.  
 Suggested Alignment Tools:

A1, A2.....GENERAL CEMENT #5067, 8282, 8606	WALSCO #2526, 2543
A3, A5..... GENERAL CEMENT #9440	WALSCO #2501
A4, A6..... GENERAL CEMENT #5000, 5066, 8290	WALSCO #2512, 2525, 2528

	SIGNAL GENERATOR FREQUENCY	RADIO DIAL SETTING	INDICATOR	ADJUST	REMARKS
1.	455KC (400% Mod.)	Tuning gang fully open.	Output Meter across voice coil.	A1, A2, A3	Adjust for maximum. Repeat as required.
2.	1620KC	"	"	A4	Adjust for maximum.
3.	600KC	Tune to Signal.	"	A5	Rock tuning gang and adjust for maximum. Repeat steps 2 and 3.
4.	1400KC	"	"	A6	Adjust for maximum.





1. Voltage measurements taken with vacuum tube voltmeter.
2. All controls set for normal operation, no signal applied.
3. Measured values are from socket pin or terminal to common ground.
4. All terminals viewed from bottom unless otherwise designated.
5. Numbers assigned to terminals may not be found on the unit.
6. Supply voltage maintained at rated value for voltage readings.
7. Resistance measurements not given because of the wide variation in internal resistance of transistor.

A PHOTOFAC STANDARD NOTATION SCHEMATIC with CIRCUITRACE

©Howard W. Sams & Co., Inc. 1963

UNIVERSAL MODEL PTR-62B

OUTPUT X6 2SB177

13 THRU L5 TERMINAL GUIDE

X1 THRU X6 TERMINAL GUIDE

12 TERMINAL GUIDE

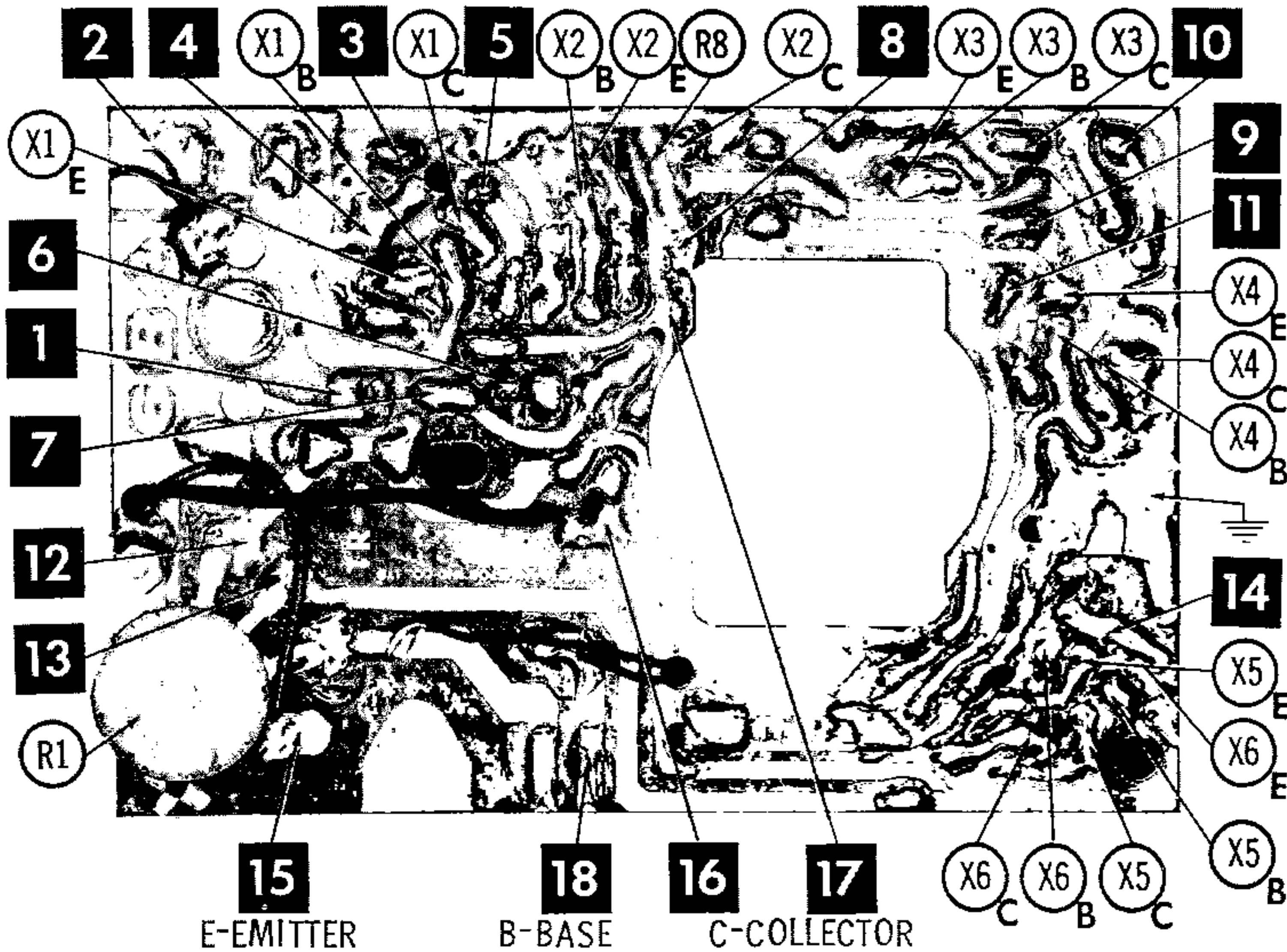
OUTPUT X5 2SB177

117VAC

BATTERY ELIMINATOR

SW ON VOLUME CONTROL

8 ma ND SIGNAL 20 ma NORMAL VOLUME



## WIRING DATA

General-use Unshielded Hook-up Wire .....	Use BELDEN No. 8530 (Solid 22AWG)	Available
	8524 (Stranded 22AWG)	in
	8570 (Stranded 26AWG)	12 Colors

## TRANSISTORS

ITEM No.	ORIG. TYPE	USE	REPLACEMENT DATA			NOTES
			DELCO PART No.	GENERAL ELECTRIC PART No.	RCA PART No.	
X1	2SA101	Converter	DS-25	GE-1	2N1527	PNP
X2	2SA101	1st IF Amplifier	DS-25	GE-1	2N1525	PNP
X3	2SA101	2nd IF Amplifier	DS-25	GE-1	2N1525	PNP
X4	2SB175	Driver	DS-26	GE-2	2N406	PNP
X5	2SB177	Output	DS-26	GE-2	2N408	PNP
X6	2SB177	Output	DS-26	GE-2	2N408	PNP

## ELECTROLYTIC CAPACITORS

ITEM No.	RATING		REPLACEMENT DATA						
	CAP.	VOLT.	UNIVERSAL PART No.	AEROVOX PART No.	CORNELL-DUBILIER PART No.	GENERAL ELECTRIC PART No.	GENERAL INSTRUMENT PART No.	MALLORY PART No.	SPRAGUE PART No.
C1	50	10				MT1-16			
C2	30	6		BCD6025	NLW30-6	MT1-13			
C3	5	6		BCD6005	NLW5-15	MT1-3			TE-1084
C4	30	6		BCD6025	NLW30-6	MT1-13			

## FIXED CAPACITORS

ITEM No.	RATING	REMARKS	REPLACEMENT DATA					
			AEROVOX PART No.	CENTRALAB PART No.	CORNELL-DUBILIER PART No.	ELMENCO PART No.	MALLORY PART No.	SPRAGUE PART No.
C5	.01		TTD-01	CK-103	H2		TA-110	TG-S10
C6	.01		TTD-01	CK-103	H2		TA-110	TG-S10
C7	.02		TTD-02	CK-203	H3		TA-120	TG-S20
C8	.04		TTD-05	CK-503	H5		TA-150	TG-S50
C9	2		NPO-DI 2.0	DTZ-2R2	C10V2C	CCTO-2R2	CNO-522	
C10	.04		TTD-05	CK-503	H5		TA-150	TG-S50
C11	3		NPO-DI 3.0	DTZ-3R3	C10V3C	CCTO-3R3	CNO-533	
C12	.04		TTD-05	CK-503	H5		TA-150	TG-S50
C13	.01		TTD-01	CK-103	H2		TA-110	TG-S10
C14	.01		TTD-01	CK-103	H2		TA-110	TG-S10
C15	.04		TTD-05	CK-503	H5		TA-150	TG-S50

## CONTROLS

All wattages 1/2 watt, or less, unless otherwise listed.

ITEM No.	USE	RESISTANCE	REPLACEMENT DATA				
			UNIVERSAL PART No.	CENTRALAB PART No.	CLAROSTAT PART No.	CTS-IRC PART No.	MALLORY PART No.
R1	Volume & Switch	5000Ω		B18-214 ①			

① Use Original Knob.

# D DESCRIPTION

## COILS (RF-IF)

ITEM No.	USE	REPLACEMENT DATA					NOTES
		UNIVERSAL PART No.	MERIT PART No.	MILLER PART No.	STANCOR PART No.	WORKMAN PART No.	
L1	Loopstick Osc. 1st IF 2nd IF 3rd IF						
L2							
L3				BC-574	2066	RTC-9266	
L4				BC-575	2067	RTC-9267	
L5				BC-576	2068	RTC-9268	

## TRANSFORMER (DRIVER)

ITEM No.	TURNS RATIO		REPLACEMENT DATA					NOTES
	PRI.	SEC.	UNIVERSAL PART No.	MERIT PART No.	STANCOR PART No.	THORDARSON PART No.	TRIAD PART No.	
T1	2.5	1						

## TRANSFORMER (AUDIO OUTPUT)

ITEM No.	IMPEDANCE		REPLACEMENT DATA					NOTES
	PRI.	SEC.	UNIVERSAL PART No.	MERIT PART No.	STANCOR PART No.	THORDARSON PART No.	TRIAD PART No.	
T2	500 $\Omega$ CT	8-8 $\Omega$						

## SPEAKER

ITEM No.	TYPE	REPLACEMENT DATA		NOTES
		UNIVERSAL PART No.	QUAM PART No.	
SP1	2 1/4" PM 8-8 $\Omega$			

## BATTERIES

ITEM No.	VOLTAGE	UNIVERSAL PART No.	REPLACEMENT DATA			NOTES
			BURGESS	EVEREADY	MALLORY	
M1	9		2U6 (or H146)	216 (or E146)	M-1804 (or MN1604, TR-146)	

## MISCELLANEOUS

ITEM No.	PART NAME	UNIVERSAL PART No.	NOTES
M2	Tuning Cap. Detector (MA80) Battery Eliminator		
M3			
M4			