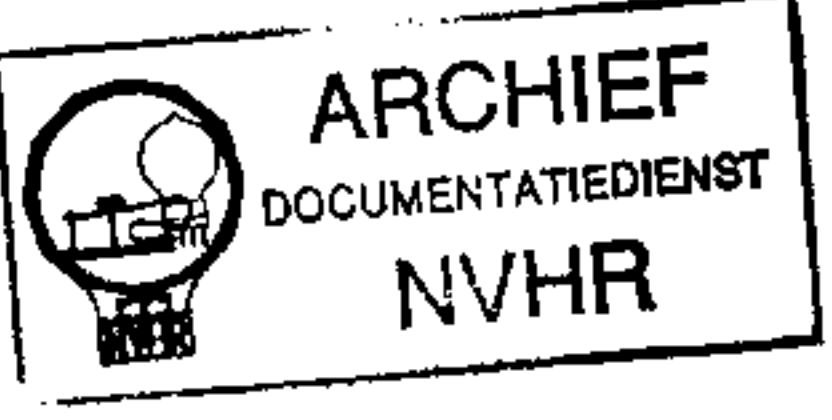


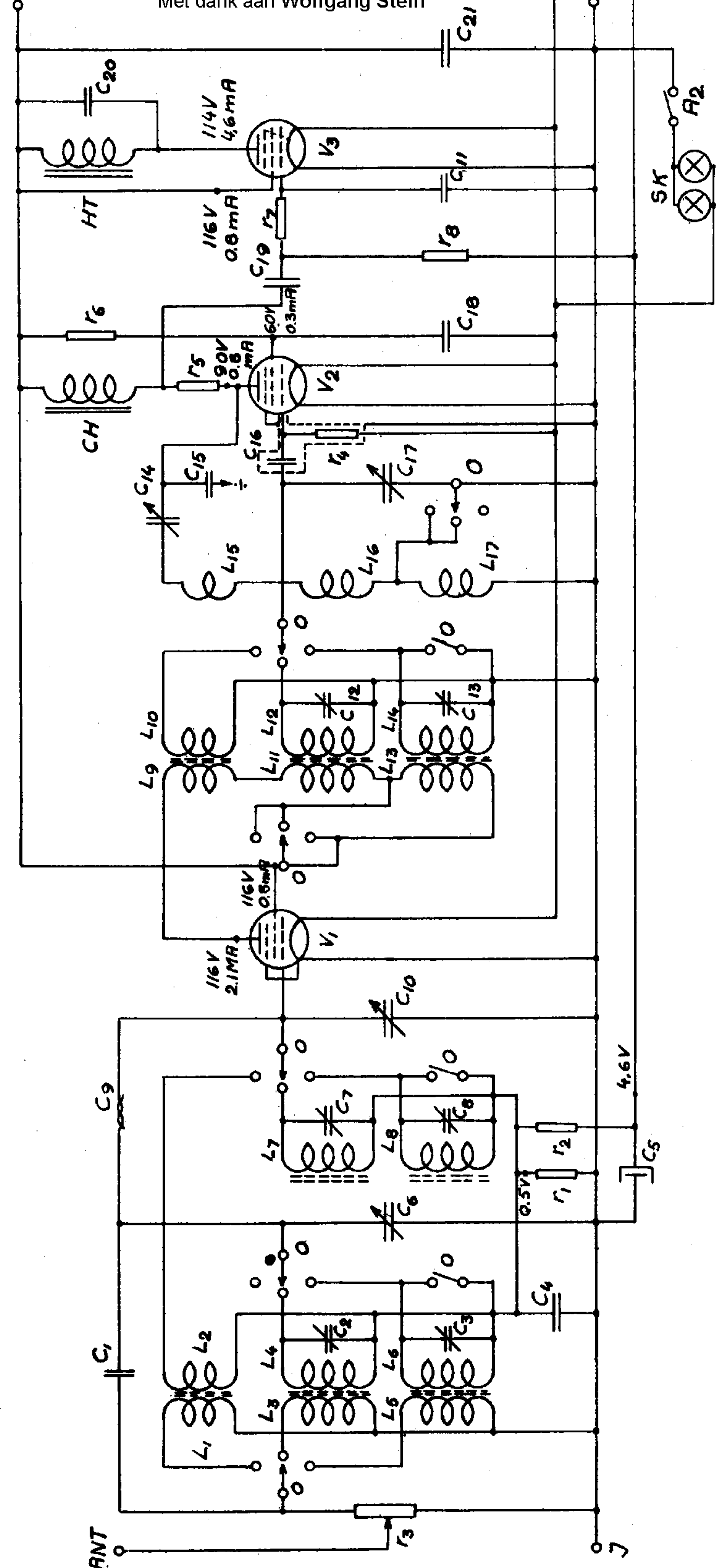
+ AN
120V
R₁

Ned. Ver. v. Historie v/d Radio



Met dank aan Wolfgang Stein

+ AKK.
÷ 2V
R₁
÷ AN



5K
A2