



# MICRO

## RECEIVER

### Description and Operating Instructions

#### IMPORTANT!

1. When buying a «MICRO», ask the shop assistant to try it.
2. Prior to switching on the receiver, make yourself familiar with this description and operating instructions.
3. Make sure that you are getting a complete set.
4. When using the receiver outdoors, shelter it from moisture and sunrays.
5. When Your receiver was out of use during a long time — please charge the battery before switching on the receiver.

6. Charge the battery type Д-0.06 employing a charger.

#### The «Micro» set includes:

1. Receiver proper.
2. Operating instructions.
3. Power source — two batteries Д-0.06\*.
4. Earphone, support.
5. Plastic case.
6. Cardboard box.
7. Battery charger \*

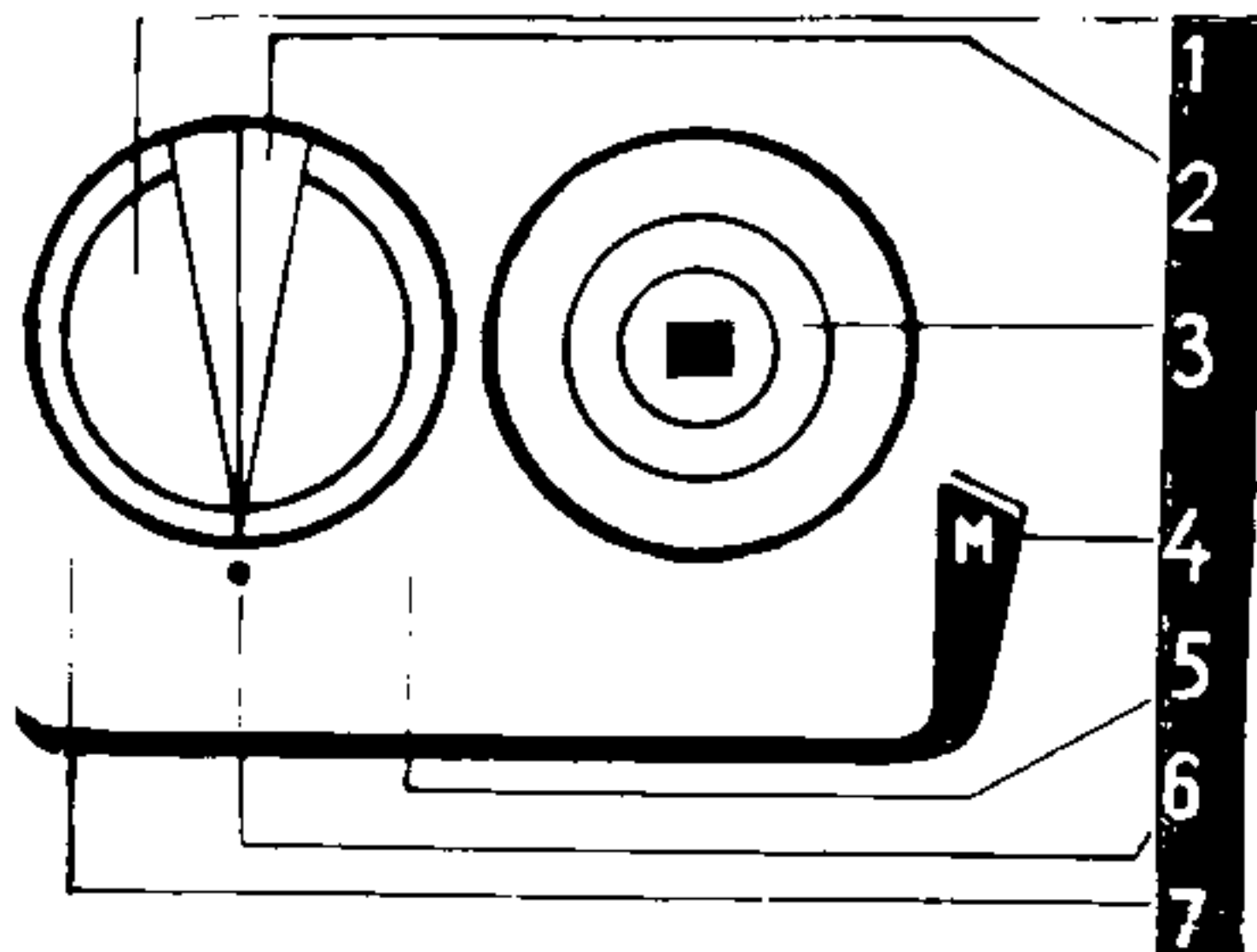
\* May be delivered on order.

#### GENERAL INFORMATION

The «MICRO» is a six-transistor straight receiver with automatic sensitivity adjustment.

It is to-day the smallest receiving piece in the world in serial production. All its resistors and most of capacitors are thin film type.

The receiver is intended both for in- or outdoors operation. It insures reliable reception of local broadcasting covering long and medium wave range by means of built-in ferrite-rod aerial. The receiver output is coupled to a miniature earphone for per-



sonal listening which allows the «MICRO» to be used in public places.

#### TECHNICAL DATA

Wavebands covered.

Long waves — 150 kc/s to 408 kc/s.

Medium waves — 525 kc/s to 1605 kc/s.

Sensitivity — 35 mV/m, not more.

Selectivity (at  $\pm 30$  kc/s de-tuning) — 10 db.

Power consumption — 4 mA, not more.

Power output — 50  $\mu$ W.

The receiver is powered from a Д-0.06 battery.

A charged battery ensures a 10 to 15 hour continuous operation of the set.

Overall dimensions — 43 mm  $\times$  30 mm  $\times$  13 mm.

Type of earphone — TM-2.

Weight — 20 gr.

For the front view of the «MICRO» showing controls see on the 2nd cover page, the circuit diagram — on the 3d cover page.

#### OPERATING INSTRUCTIONS

##### 1. Prior to switching on:

Take the receiver from the plastic case, fit the

earphone to the ear, using the earphone support, if necessary. Hold the receiver in your left hand facing the controls.

##### 2. Switching on and tuning:

Turn knob 1 in a clockwise direction so that pointer 2 is set against 6 and a click is heard in the earphone.

Set range switch 4 to a desired position by depressing its upper or lower part. When the «M» is seen, it will indicate that the medium wave range is on, while «L» will correspond to the long wave range.

Turn slowly tuning knob 3 and tune the receiver to a desired broadcast station.

The receive aerial has a directional characteristic (directional selectivity). Therefore, after the receiver is tuned, it has to be turned in a horizontal plane to gain maximum sound volume, or to reduce it to a required level.

To switch off the receiver, turn knob 1 so that pointer 2 sets against 5.

### 3. Charging and mounting the battery

After every 10 to 15 hours of operation the bat-

tery should be charged by means of a battery charger. The receiver set includes another battery which is placed instead of the one being charged.

For replacing the battery, set pointer 2 of knob 1 against 7, pull out the knob and remove the battery. Put in the charged battery and mount in place knob 1.

When placing the battery into the receiver see to it that the battery marking (sign +) is on the outside.

The battery to be charged should be placed into the open cartridge of the charger and then slipped inside the latter.

The design of the battery charger precludes battery charging if the battery is not correctly placed

Before connecting the charger plug to the mains, set voltage plug switch of the charger to the position corresponding to the mains voltage.

The charging time is some 15 hours. When it is over, disconnect the charger from the mains. To avoid discharging of the battery, don't leave it in

the charger for a long time after charging is completed. Keep the battery charged. When the receiver is out-of-use, the battery still has to be charged not less than once a month.

Avoid overcharging of the batteries by following strictly the above instructions. See to it that the battery terminals (+) and (-) are not short-circuited by metal objects.

The receiver may be supplied also by dry battery.

Made in USSR

The circuit diagram of the MICRO receiver:

- Capacitor C<sub>1</sub> — type КП4-3А;
- Capacitor C<sub>2</sub> — type КД;
- Capacitor C<sub>10</sub> — type ЭМИ-3-10;
- Capacitors C<sub>11</sub>, C<sub>12</sub> — type К10У.
- Earphone T — type ТМ-2.

V/O «Mashpriborintorg»

Certificate

«Micro» Radio

№ 63041234

Conforms to technical conditions and specimen

1. Date of issue.. 29. 4. 68
2. Quality control

