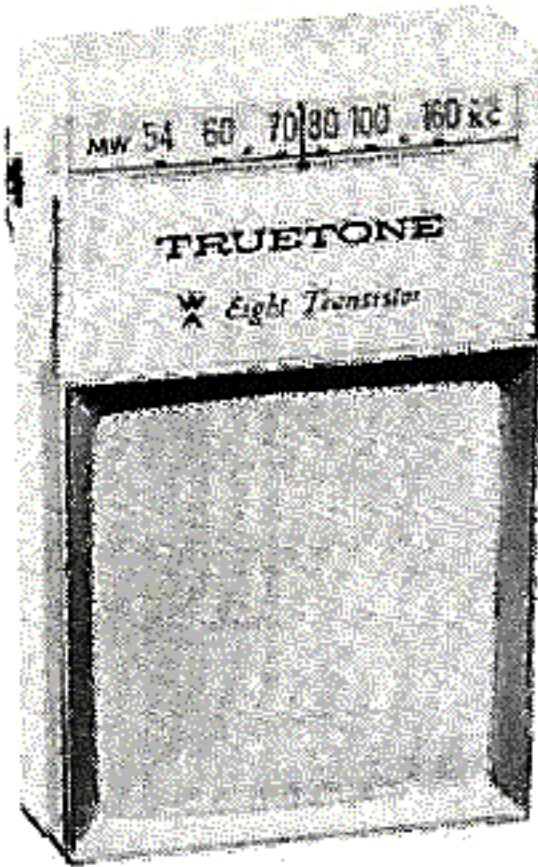




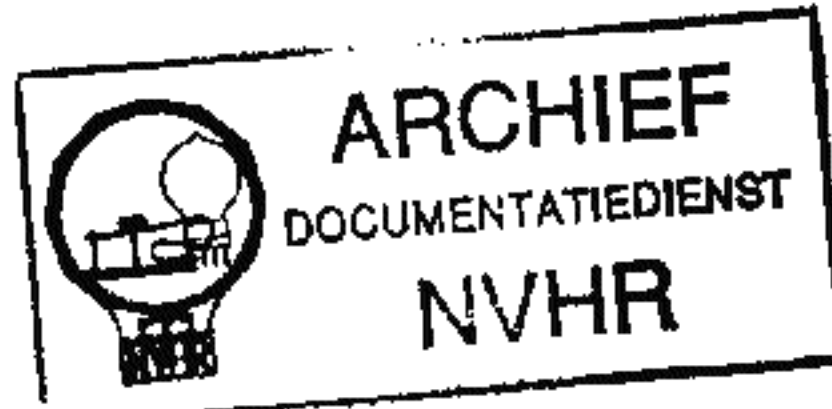
# PHOTOFACT<sup>®</sup> with

# CIRCUITRACE<sup>®</sup>

Met dank aan Jef Bos



TRADE NAME: Truetone Model DC3318  
 SUPPLIER: Western Auto Supply Co.,  
 2107 Grand Ave., Kansas City 8, Missouri  
 TYPE SET: 8 Transistor AM Receiver  
 POWER SUPPLY: 9 Volts DC  
 RATING: 6MA @ 9VDC (No Signal, Min. Volume)  
 10MA @ 9VDC (Signal, Normal Volume)  
 TUNING RANGE: BROADCAST 540 - 1620KC  
 Ned. Ver. v. Historie v/d Radio



## ALIGNMENT INSTRUCTIONS

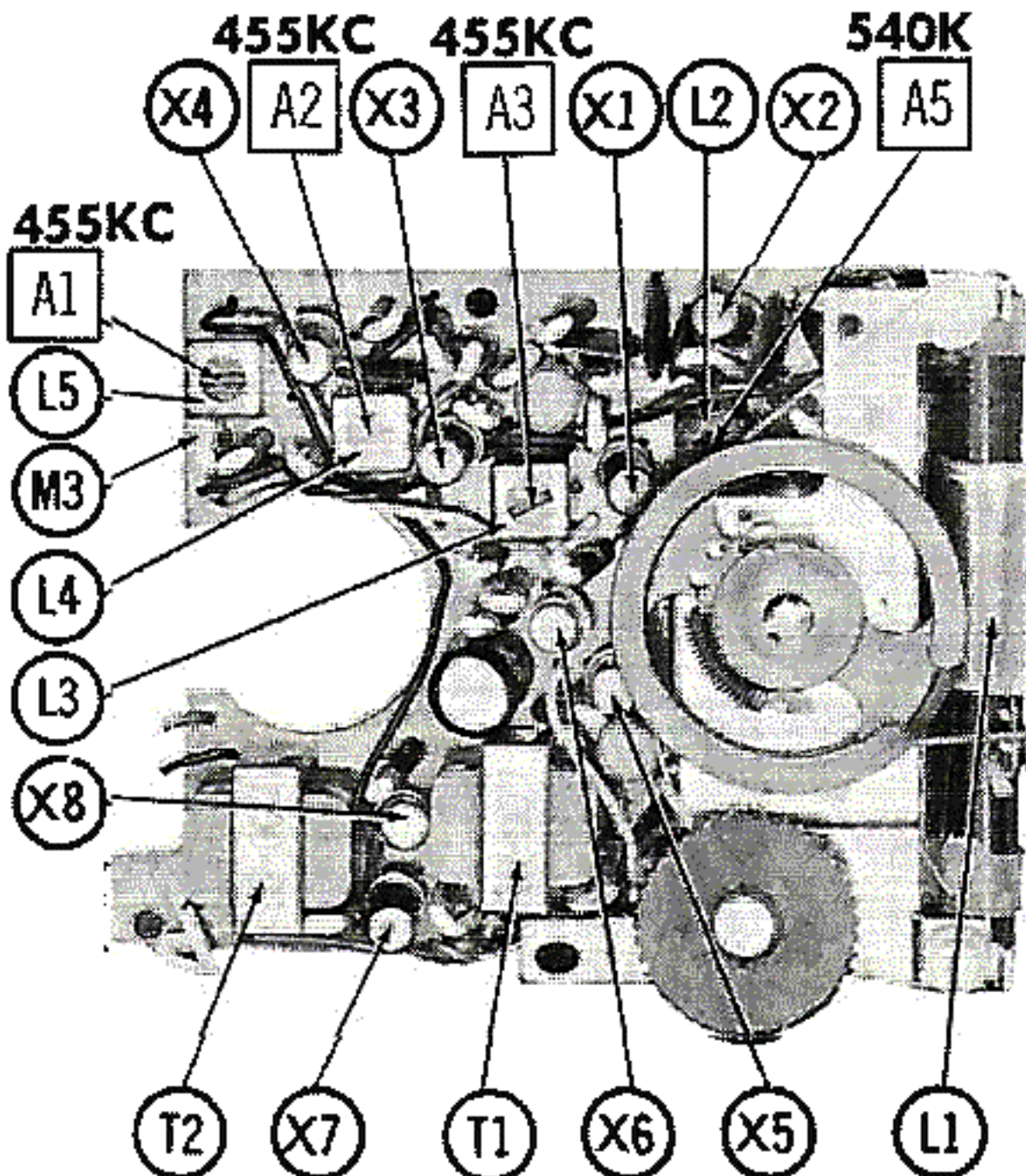
ALIGNMENT INSTRUCTIONS—READ CAREFULLY BEFORE ATTEMPTING ALIGNMENT

Use only enough generator output to provide a usable indication.

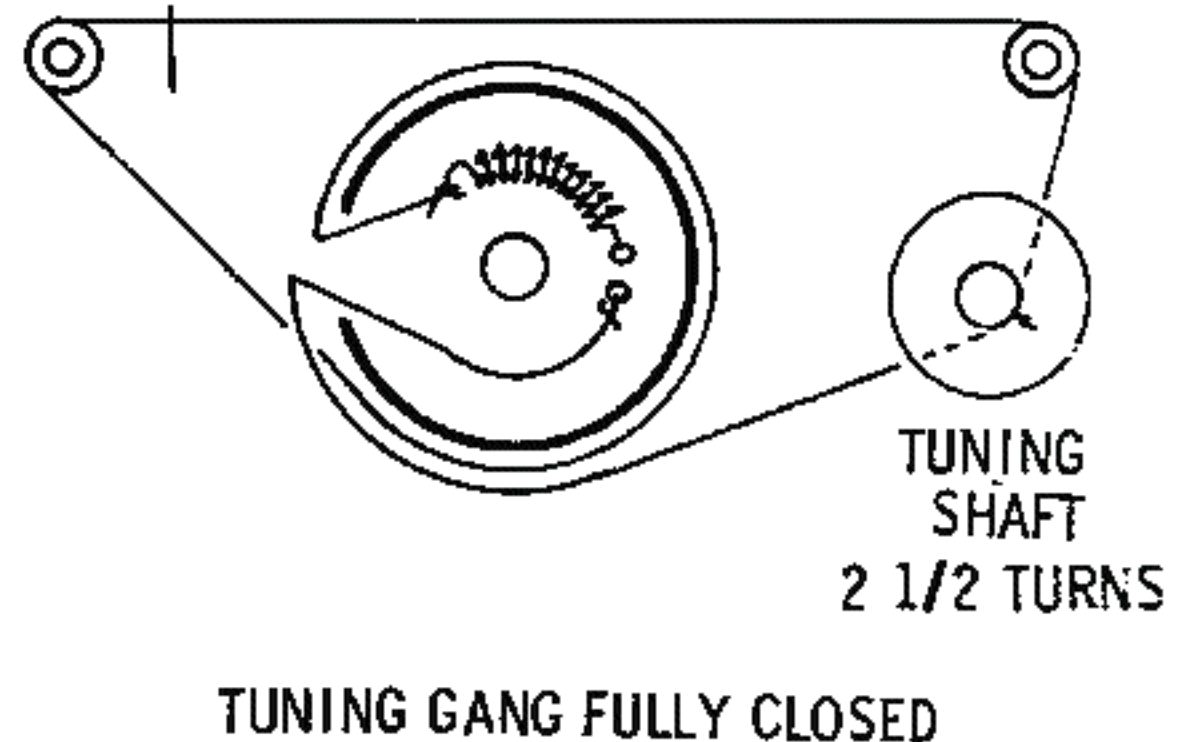
Suggested Alignment Tools:

A1 thru A4, A6..... GENERAL CEMENT #5000, 5003, 5066, 8271, 8272, 8276, 8277, 8290, 8609, 8722, 9150, 9298  
 WALSCO #2515, 2516, 2518, 2519, 2525, 2541  
 A5..... GENERAL CEMENT #8282, 8606, 8606-L, 9091  
 WALSCO #2526, 2541, 2542, 2543, 2544

SIGNAL GENERATOR COUPLING	SIGNAL GENERATOR FREQUENCY	RADIO DIAL SETTING	INDICATOR	ADJUST	REMARKS
Fashion loop of several turns of wire and radiate signal into loop of receiver.	455KC (Unmod.)	Tuning gang fully open.	DC VTVM across Volume Control.	A1, A2, A3	Adjust for maximum deflection.
"	1620KC	"	"	A4	"
"	540KC	Tuning gang fully closed.	"	A5	"
"	1400KC	1400KC	"	A6	"



## DIAL CORD STRINGING



HOWARD W. SAMS & CO., INC. Indianapolis 6, Indiana

# PARTS LIST

## WIRING DATA

General-use Unshielded Hook-up Wire ..... Use BELDEN No. 8530 (Solid 22AWG) Available in 12 Colors  
 8524 (Stranded 22AWG)  
 8570 (Stranded 26AWG)

## TRANSISTORS

ITEM No.	ORIG. TYPE	USE	REPLACEMENT DATA			NOTES
			DELCO PART No.	GENERAL ELECTRIC PART No.	RCA PART No.	
X1	2SA156	Mixer	DS25	GE-1		PNP
X2	2SA160	Oscillator	DS25	GE-1		PNP
X3	2SA156	1st IF Amplifier	DS25	GE-1		PNP
X4	2SA156	2nd IF Amplifier	DS25	GE-1		PNP
X5	2SB111	AF Amplifier	DS26	GE-2	2N406	PNP
X6	2SB111	Driver	DS26	GE-2	2N406	PNP
X7	2SB116	Output	DS26	GE-2	2N408	PNP
X8	2SB116	Output	DS26	GE-2	2N408	PNP

## ELECTROLYTIC CAPACITORS

ITEM No.	RATING		REPLACEMENT DATA						
	CAP.	VOLT.	TRUETONE PART No.	AEROVOX PART No.	CORNELL-DUBILIER PART No.	GENERAL ELECTRIC PART No.	MALLORY PART No.	PYRAMID PART No.	SPRAGUE PART No.
C1	5	6	CE8010V	CRE304					TE-1084
C2	5	6	CE8010V	CRE304					TE-1084
C3	50	10	CE8010V						

## FIXED CAPACITORS

ITEM No.	RATING	REMARKS	REPLACEMENT DATA					
			AEROVOX PART No.	CENTRALAB PART No.	CORNELL-DUBILIER PART No.	ELMENCO PART No.	MALLORY PART No.	SPRAGUE PART No.
C4	.02		TTD-02	DA-203	H05S2		TA-120	TG-S20
C5	.02		TTD-02	DA-203	H05S2		TA-120	TG-S20
C6	.005		TTD-005	DM-502	H05D5	CCD-502	TA-250	TG-D50
C7	.04							
C8	.02		TTD-02	DA-203	H05S2		TA-120	TG-S20
C9	.02		TTD-02	DA-203	H05S2		TA-120	TG-S20
C10	.02		TTD-02	DA-203	H05S2		TA-120	TG-S20
C11	.02		TTD-02	DA-203	H05S2		TA-120	TG-S20
C12	.02		TTD-02	DA-203	H05S2		TA-120	TG-S20
C13	.005		TTD-005	DM-502	H05D5	CCD-502	TA-250	TG-D50
C14	.04							

## CONTROLS

All wattages 1/2 watt, or less, unless otherwise listed.

ITEM No.	USE	RESISTANCE	REPLACEMENT DATA				
			TRUETONE PART No.	CENTRALAB PART No.	CLAROSTAT PART No.	CTS-IRC PART No.	MALLORY PART No.
R1	Volume & Switch	5000Ω	RV-085				

## RESISTORS (Power and Special)

ITEM No.	RATING	REPLACEMENT DATA			ITEM No.	RATING	REPLACEMENT DATA		
		IRC PART No.	WORKMAN PART No.	REMARKS			IRC PART No.	WORKMAN PART No.	REMARKS
R22	200Ω Cold			#D32S					

# Truetone Part Number

# DESCRIPTION

## COILS (RF-IF)

ITEM No.	USE	REPLACEMENT DATA					NOTES
		TRUETONE PART No.	Merit PART No.	Miller PART No.	Stancor PART No.	Workman PART No.	
L1	Loopbar	HA-082a					
L2	Osc.	HO-082					
L3	1st IF	HI-043					
L4	2nd IF	HI-053					
L5	3rd IF	HI-063					

## TRANSFORMER (DRIVER)

ITEM No.	TURNS RATIO		REPLACEMENT DATA					NOTES
			TRUETONE PART No.	MERIT PART No.	STANCOR PART No.	THORDARSON PART No.	TRIAD PART No.	
	PRI.	SEC.						
T1	1.3	1	LI-007					

## TRANSFORMER (AUDIO OUTPUT)

ITEM No.	IMPEDANCE		REPLACEMENT DATA					NOTES
			TRUE TONE PART No.	Merit PART No.	Stancor PART No.	Thordarson PART No.	Triad PART No.	
	PRI.	SEC.						
T2	900 $\Omega$ CT	6-8 $\Omega$	LO-007					

## SPEAKER

ITEM No.	TYPE			REPLACEMENT DATA		NOTES
				TRUETONE PART No.	QUAM PART No.	
	SIZE	FIELD	V. C. IMP.			
SP1	2 1/4"	PM	6-8 $\Omega$	AS-031		

## BATTERIES

ITEM No.	VOLTAGE	TRUETONE PART No.	REPLACEMENT DATA			NOTES
			BURGESS	EVEREADY	MALLORY	
M1	9	TD7604	2U6 (or H146)	216 (or E146)	M-1804 (or MN-1804, TR-146)	

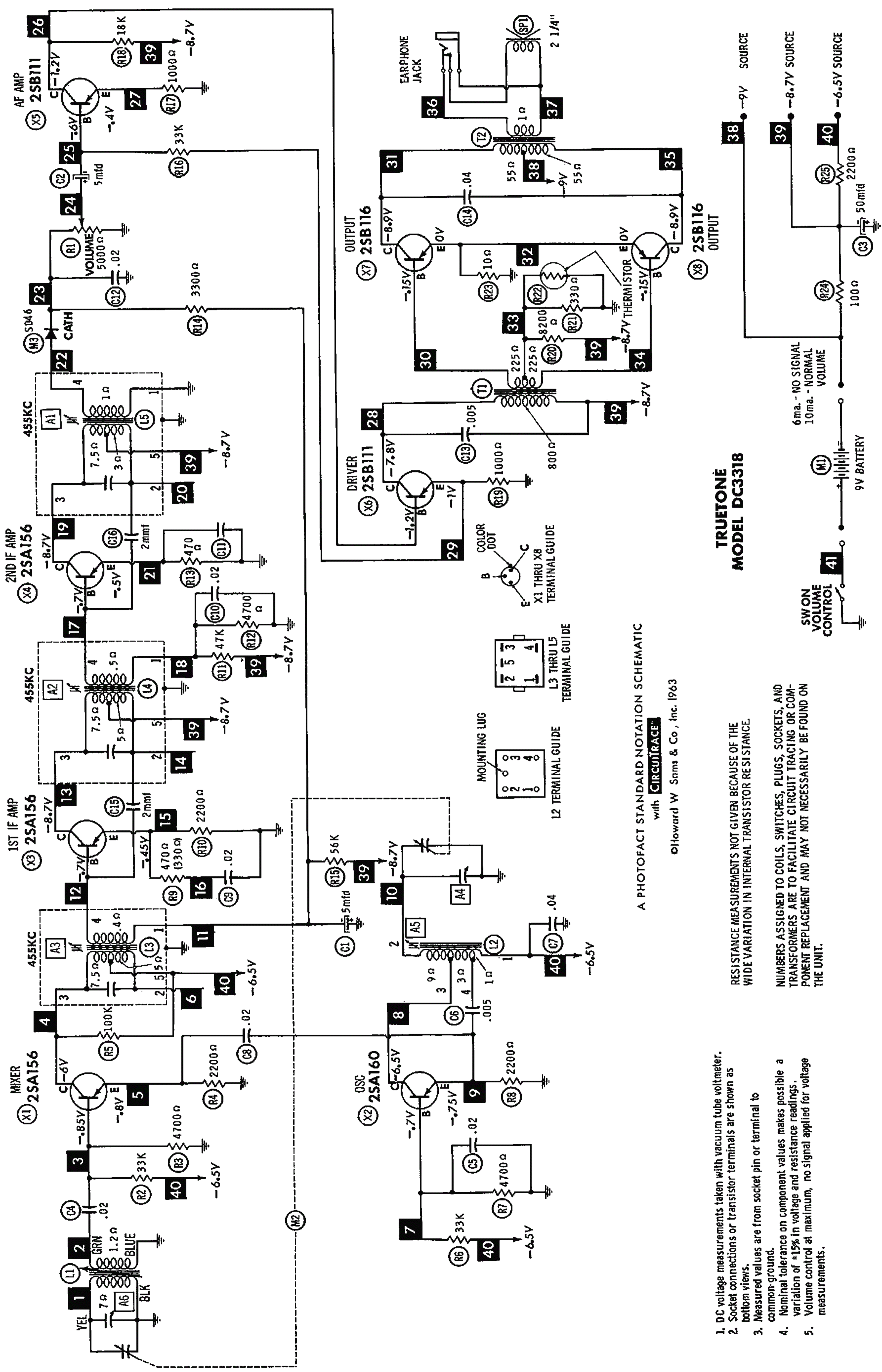
## MISCELLANEOUS

ITEM No.	PART NAME	TRUETONE PART No.	NOTES
M2 M3	Tuning Cap. Detector	CV-061 SD46	2 Gang (PVC-2X)

## CABINETS & CABINET PARTS

(When Ordering Specify Model, Chassis & Color)

ITEM	PART No.	ITEM	PART No.
Knob, Volume	P820-0011	Cabinet, Front	P820-0001
Knob, Tuning	P820-0012	Cabinet, Back	P820-0002
Grille, Speaker	P820-0006	Cabinet, Complete with Trim	C-1820



1. DC voltage measurements taken with vacuum tube voltmeter.
2. Socket connections or transistor terminals are shown as bottom views.
3. Measured values are from socket pin or terminal to common-ground.
4. Nominal tolerance on component values makes possible a variation of  $\pm 15\%$  in voltage and resistance readings.
5. Volume control at maximum, no signal applied for voltage measurements.

RESISTANCE MEASUREMENTS NOT GIVEN BECAUSE OF THE WIDE VARIATION IN INTERNAL TRANSISTOR RESISTANCE

NUMBERS ASSIGNED TO COILS, SWITCHES, PLUGS, SOCKETS, AND TRANSFORMERS ARE TO FACILITATE CIRCUIT TRACING OR COMPONENT REPLACEMENT AND MAY NOT NECESSARILY BE FOUND ON THE UNIT.

A PHOTOFACIT STANDARD NOTATION SCHEMATIC with **CIRCUITRACE**

©Howard W Sams & Co, Inc. 1963

### TRUETONE MODEL DC3318



6ma. - NO SIGNAL  
10ma. - NORMAL VOLUME

