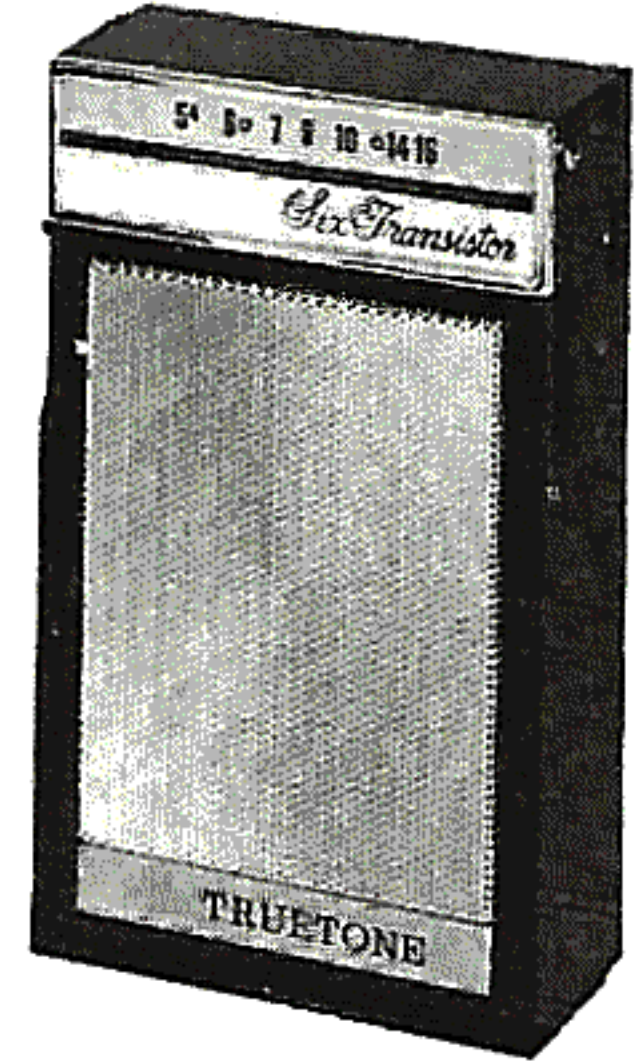


PHOTOFACT[®] with

CIRCUITRACE[®]

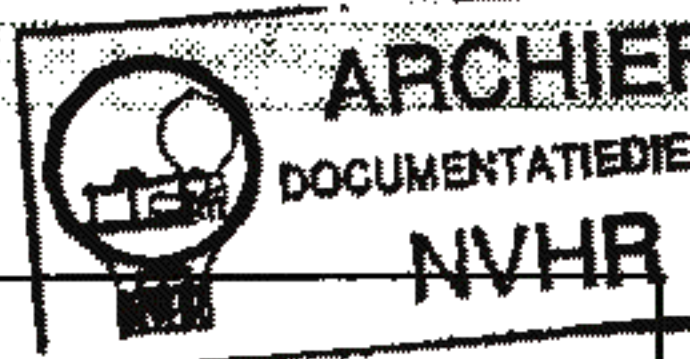
Met dank aan Jef Bos



Ned. Ver. v. Histori

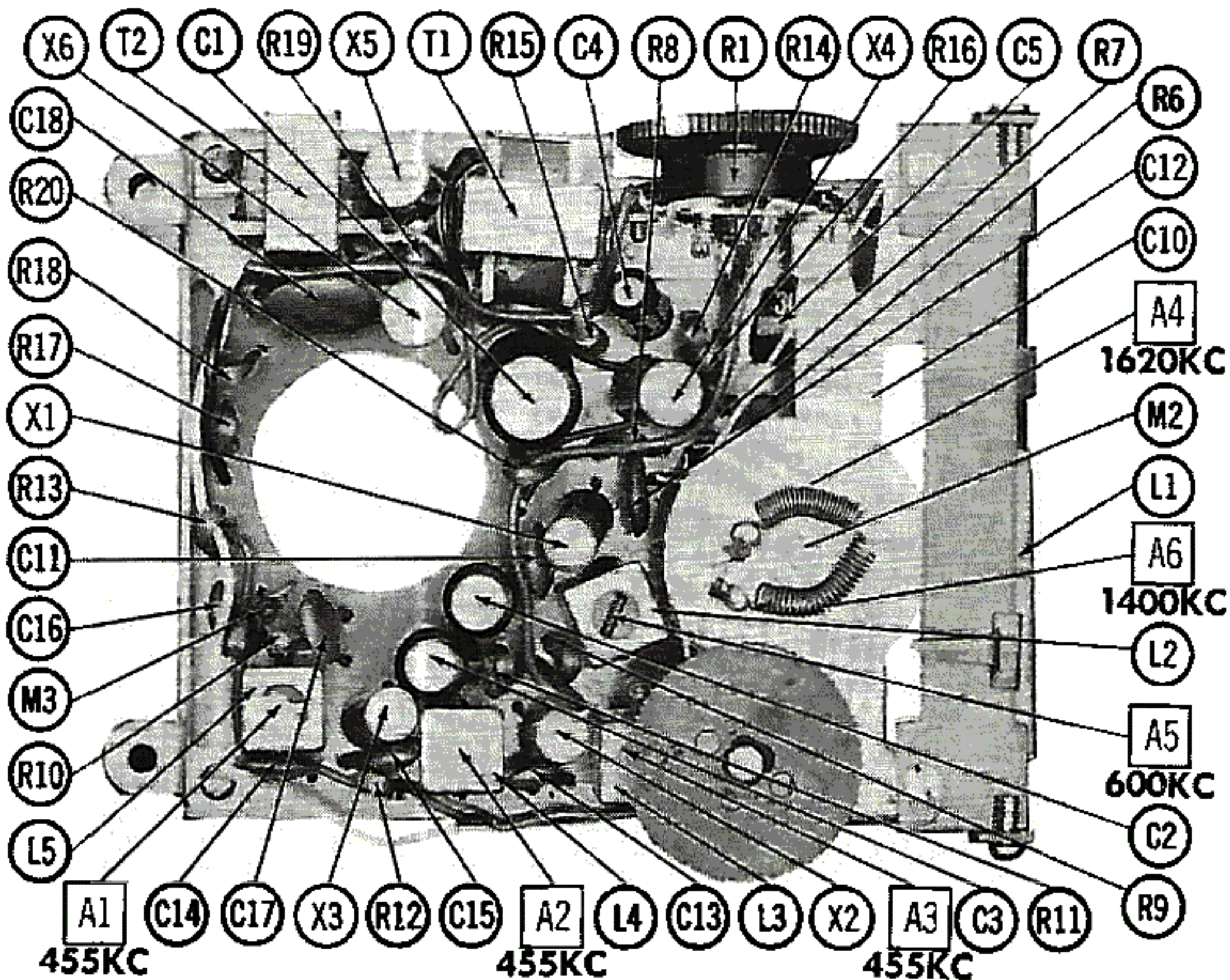
TRADE NAME : Truetone Model DC3316
 SUPPLIER : Western Auto Supply Co.,
 2107 Grand Ave., Kansas City 8, Mo.
 TYPE SET : 6 Transistor AM Receiver
 POWER SUPPLY : 9 Volts DC
 RATING : 6ma @ 9VDC (No Signal, Min. Volume)
 22ma @ 9VDC (Signal, Normal Volume)
 TUNING RANGE : BROADCAST 535-1620KC

ALIGNMENT INSTRUCTIONS

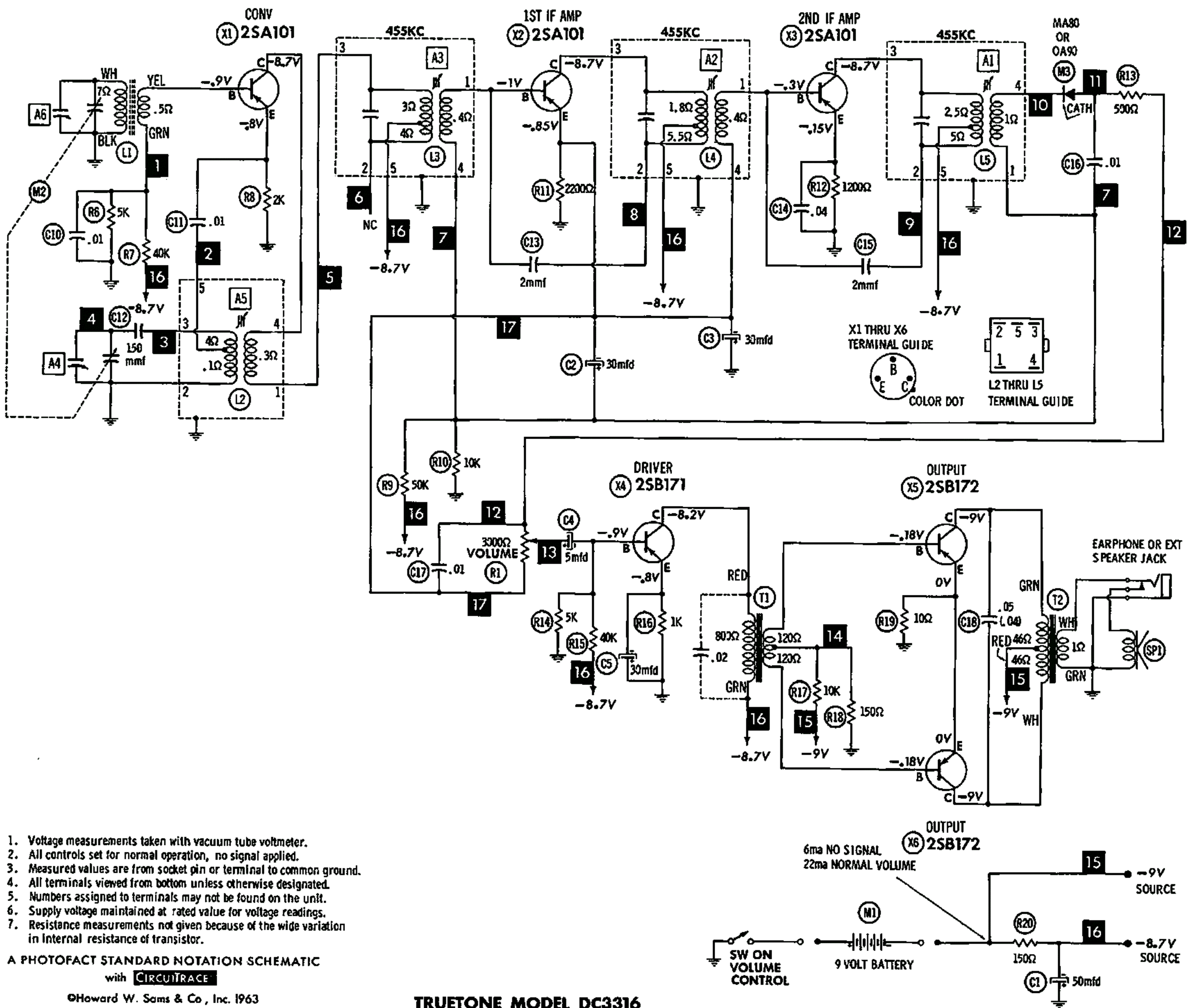


Check for specified source voltage.
 Fashion loop of several turns of wire and connect generator across loop.
 Adjust output of generator to radiate only enough signal into receiver to obtain a suitable indication.
 Suggested Alignment Tools: A1, A2, A3, A5
 GENERAL CEMENT #5067, 8282, 8606
 WALSCO #2526, 2543
 A4, A6
 GENERAL CEMENT #5000, 5066, 8290
 WALSCO #2512, 2525, 2528

	SIGNAL GENERATOR FREQUENCY	RADIO DIAL SETTING	INDICATOR	ADJUST	REMARKS
1.	455KC (400v Mod.)	Tuning gang fully open.	Output Meter across voice coil.	A1, A2, A3	Adjust for maximum. Repeat as required.
2.	1620KC	"	"	A4	Adjust for maximum.
3.	600KC	Tune to Signal.	"	A5	Rock tuning gang and adjust for maximum. Repeat steps 2 and 3.
4.	1400KC	"	"	A6	Adjust for maximum.



HOWARD W. SAMS & CO., INC. Indianapolis 6, Indiana

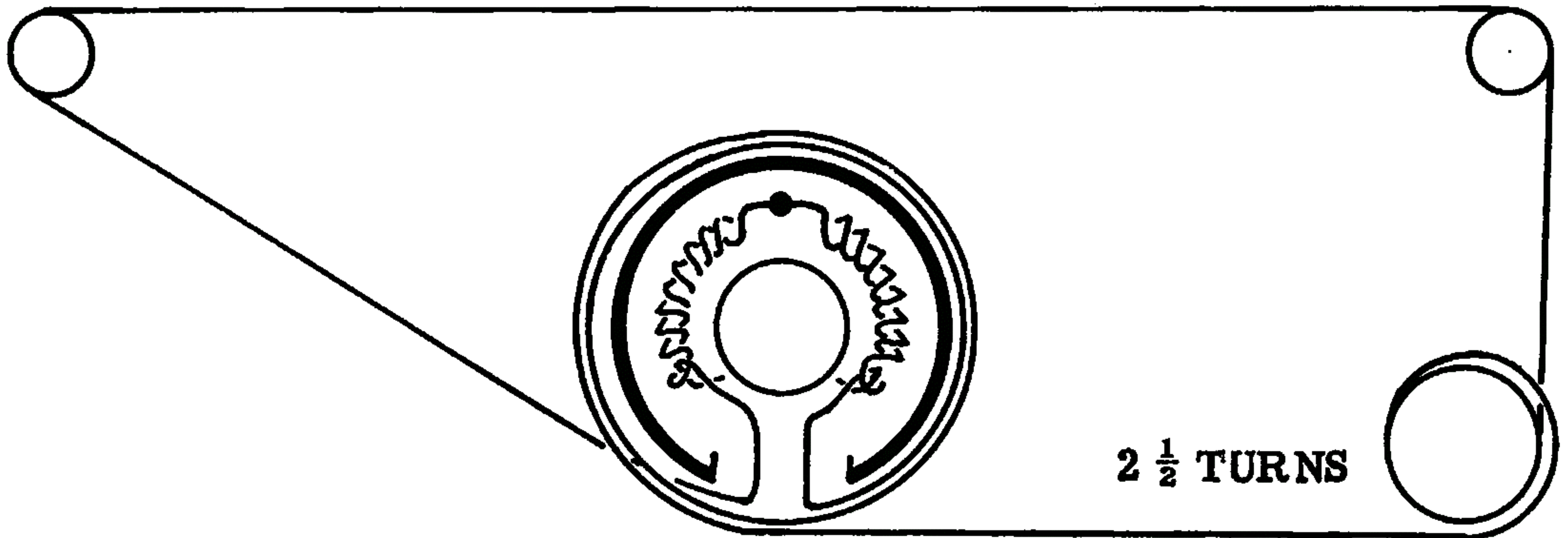
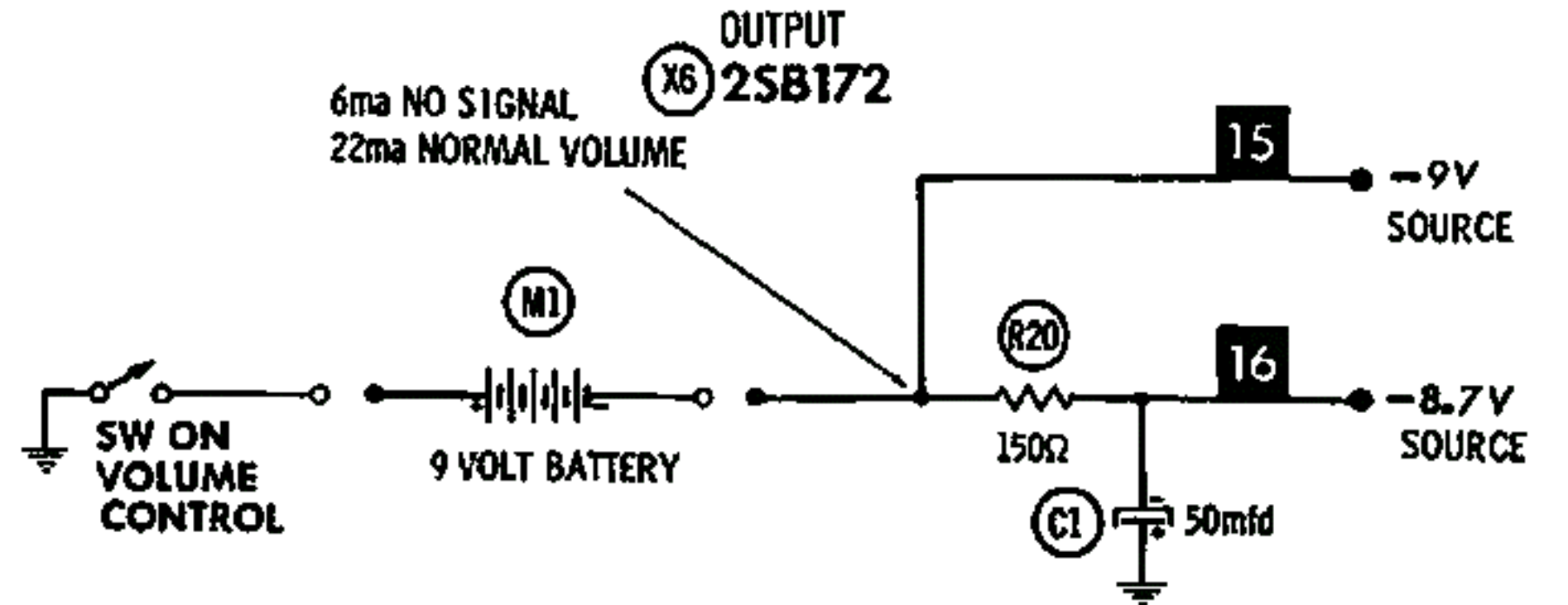


1. Voltage measurements taken with vacuum tube voltmeter.
2. All controls set for normal operation, no signal applied.
3. Measured values are from socket pin or terminal to common ground.
4. All terminals viewed from bottom unless otherwise designated.
5. Numbers assigned to terminals may not be found on the unit.
6. Supply voltage maintained at rated value for voltage readings.
7. Resistance measurements not given because of the wide variation in internal resistance of transistor.

A PHOTOFAC STANDARD NOTATION SCHEMATIC
with **CIRCUITRACE**

©Howard W. Sams & Co., Inc. 1963

TRUETONE MODEL DC3316



DIAL CORD STRINGING

PARTS LIST AND DESCRIPTION (CONTINUED)

FIXED CAPACITORS

ITEM No.	RATING	REMARKS	REPLACEMENT DATA					
			AEROVOX PART No.	CENTRALAB PART No.	CORNELL-DUBILIER PART No.	ELMENCO PART No.	MALLORY PART No.	SPRAGUE PART No.
C10	.01		TTD-01	CK-103	H2		TA-110	TG-S10
C11	.01		TTD-01	CK-103	H2		TA-110	TG-S10
C12	150		NPO-DI 150	DTZ-150	C10T15C		CNO-315	10TCC-T15
C13	2		NPO-DI2. 2	DTZ-2R2	C10V22C	CCTO-2R2	CNO-522	10TCC-V22
C14	.04		TTD-05	CK-503	H5		TA-150	TG-S50
C15	2		NPO-DI2. 2	DTZ-2R2	C10V22C	CCTO-2R2	CNO-522	10TCC-V22
C16	.01		TTD-01	CK-103	H2		TA-110	TG-S10
C17	.01		TTD-01	CK-103	H2		TA-110	TG-S10
C18	.05	(.04)†	TTD-05	CK-503	H5		TA-150	TG-S50

† Alternate Value

CONTROLS

All wattages 1/2 watt, or less, unless otherwise listed.

ITEM No.	USE	RESISTANCE	REPLACEMENT DATA				
			TRUETONE PART No.	CENTRALAB PART No.	CLAROSTAT PART No.	CTS-IRC PART No.	MALLORY PART No.
R1	Volume and Switch	3000Ω	T6-V				

COILS (RF-IF)

ITEM No.	USE	REPLACEMENT DATA					NOTES
		TRUETONE PART No.	MERIT PART No.	MILLER PART No.	STANCOR PART No.	WORKMAN PART No.	
L1	Loopstick	T6-L					
L2	Osc.	T6-0	BC-572	2060	RTC-9261		
L3	1st IF	T6-1	BC-569	2061	RTC-9262		
L4	2nd IF	T6-2	BC-570	2062	RTC-9263		
L5	3rd IF	T6-3	BC-571	2063	RTC-9264		

TRANSFORMER (DRIVER)

ITEM No.	TURNS RATIO		REPLACEMENT DATA					NOTES
			TRUETONE PART No.	MERIT PART No.	STANCOR PART No.	THORDARSON PART No.	TRIAD PART No.	
	PRI.	SEC.						
T1	2	1	T6-D					

TRANSFORMER (AUDIO OUTPUT)

ITEM No.	IMPEDANCE		REPLACEMENT DATA					NOTES
			TRUETONE PART No.	MERIT PART No.	STANCOR PART No.	THORDARSON PART No.	TRIAD PART No.	
	PRI.	SEC.						
T2	1000Ω	8-10Ω	T6-T					

SPEAKER

ITEM No.	TYPE			REPLACEMENT DATA		NOTES
				TRUETONE PART No.	QUAM PART No.	
SP1	2"	PM	8-10Ω	T6-S		

BATTERIES

ITEM No.	VOLTAGE	TRUETONE PART No.	REPLACEMENT DATA			NOTES
			BURGESS	EVEREADY	MALLORY	
M1	9V		2U6 (or H146)	216 (or E146)	M-1604 (or MN1604, TR-146)	

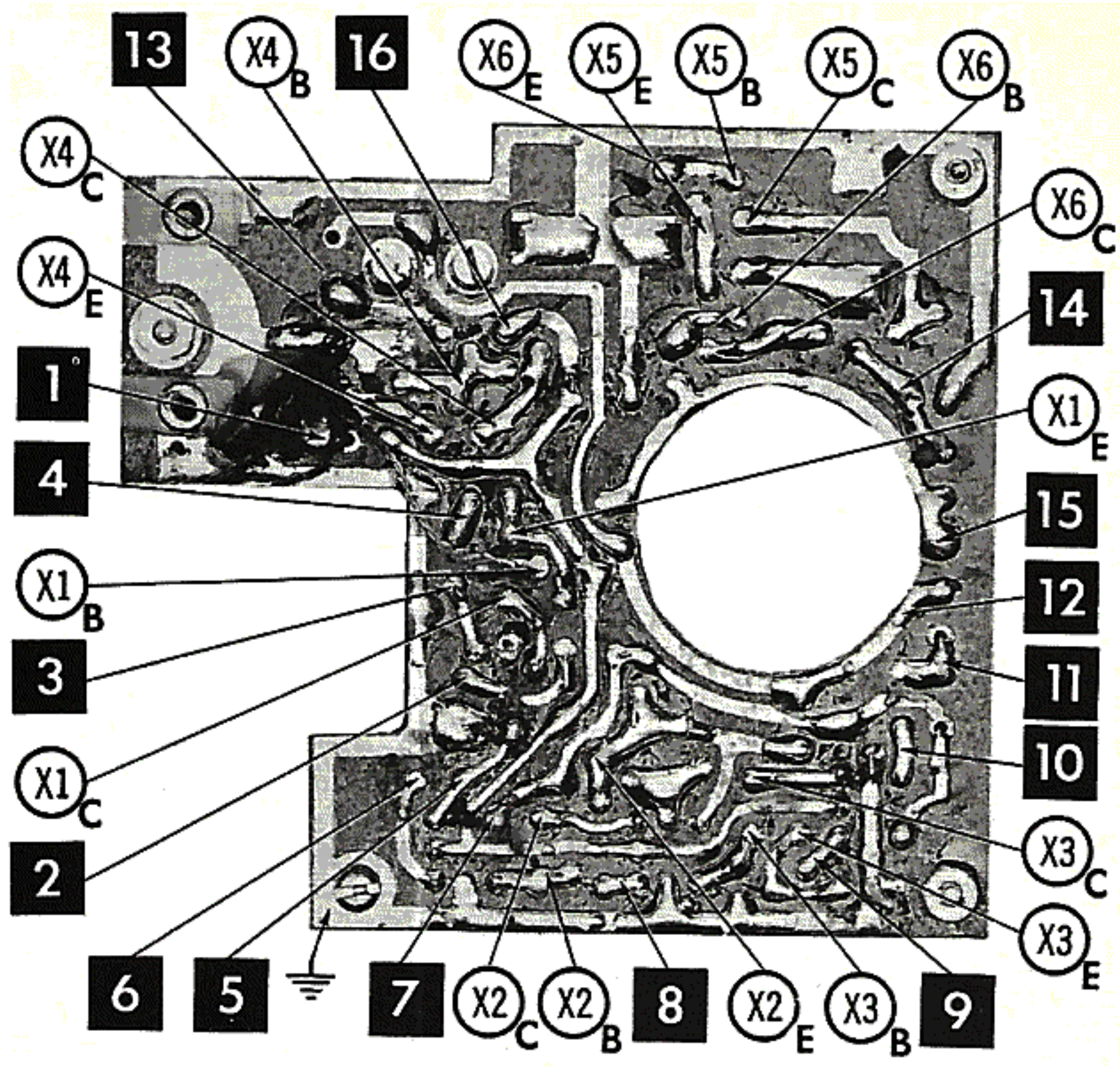
MISCELLANEOUS

ITEM No.	PART NAME	TRUETONE PART No.	NOTES
M2 M3	Tuning Cap Detector (MA80 or OA90)	T6-Z	

CABINETS & CABINET PARTS

(When Ordering Specify Model, Chassis & Color)

ITEM	PART No.	ITEM	PART No.
Knob, Tuning	T6-TK	Cabinet, Front	T6-CF
Knob, Volume	T6-VK	Cabinet, Back	T6-CB
Cabinet, Complete	T6-CC		



A Howard W. Sams **CIRCUITRACE** Photo

PARTS LIST AND DESCRIPTION

WIRING DATA

General-use Unshielded Hook-up Wire	Use BELDEN No. 8530 (Solid 22AWG) 8524 (Stranded 22AWG) 8570 (Stranded 26AWG)	Available in 12 Colors
---	---	------------------------------

TRANSISTORS

ITEM No.	ORIG. TYPE	USE	REPLACEMENT DATA			NOTES
			DELCO PART No.	GENERAL ELECTRIC PART No.	RCA PART No.	
X1	2SA101	Converter	DS-25			PNP
X2	2SA101	1st IF Amp.	DS-25			PNP
X3	2SA101	2nd IF Amp.	DS-25			PNP
X4	2SB171	Driver			2N406	PNP
X5	2SB172	Output			2N408	PNP
X6	2SB172	Output			2N408	PNP

ELECTROLYTIC CAPACITORS

ITEM No.	RATING		REPLACEMENT DATA						
	CAP.	VOLT.	TRUETONE PART No.	AEROVOX PART No.	CORNELL-DUBILIER PART No.	GENERAL ELECTRIC PART No.	GENERAL INSTRUMENT PART No.	MALLORY PART No.	SPRAGUE PART No.
C1	50	10	MF5010						
C2	30	6	MF306						
C3	30	6	MF306						
C4	5	6	MF56	CRE304A	NLW5-15	MT1-3			
C5	30	10	MF303						TE-1084