

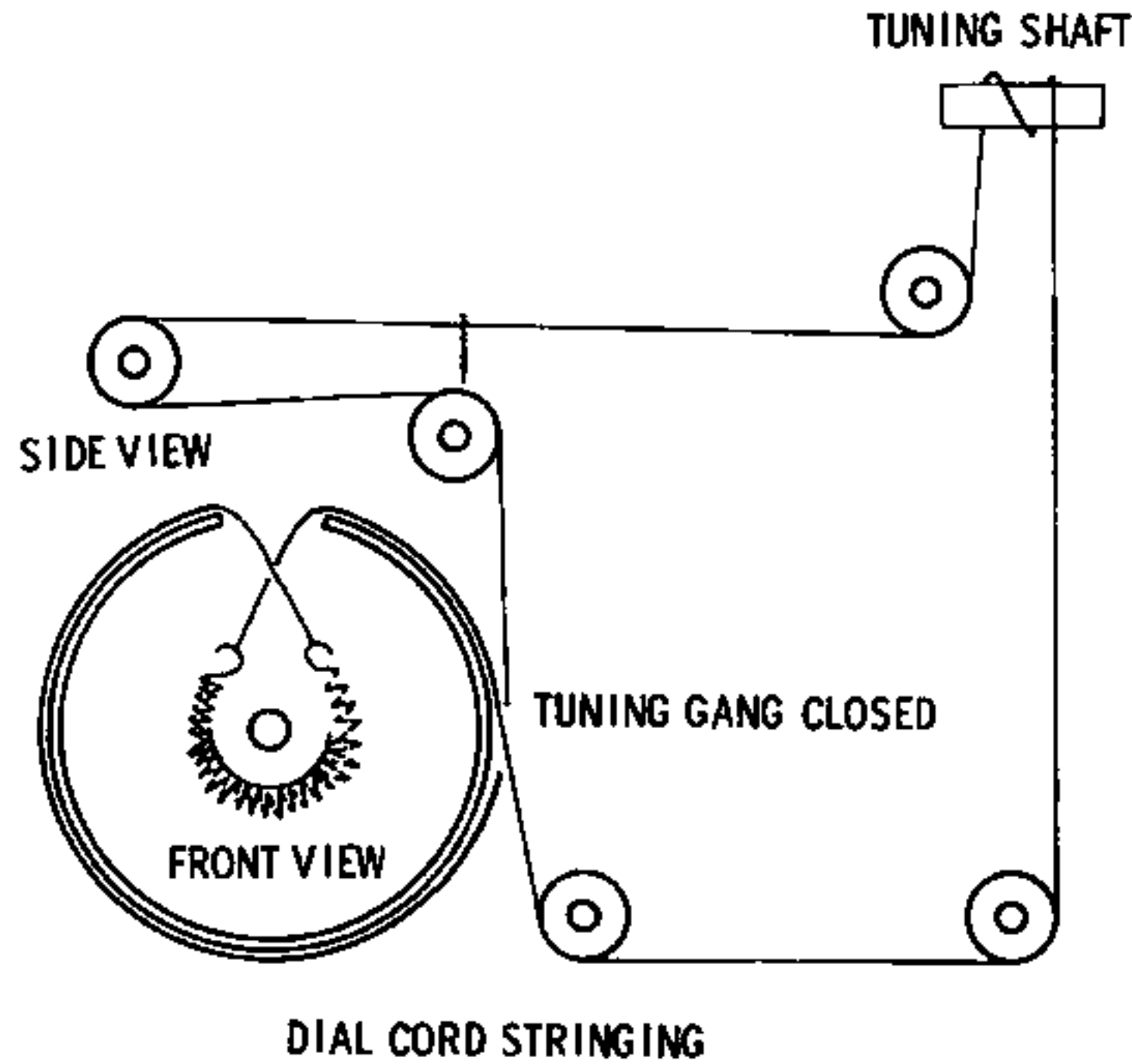
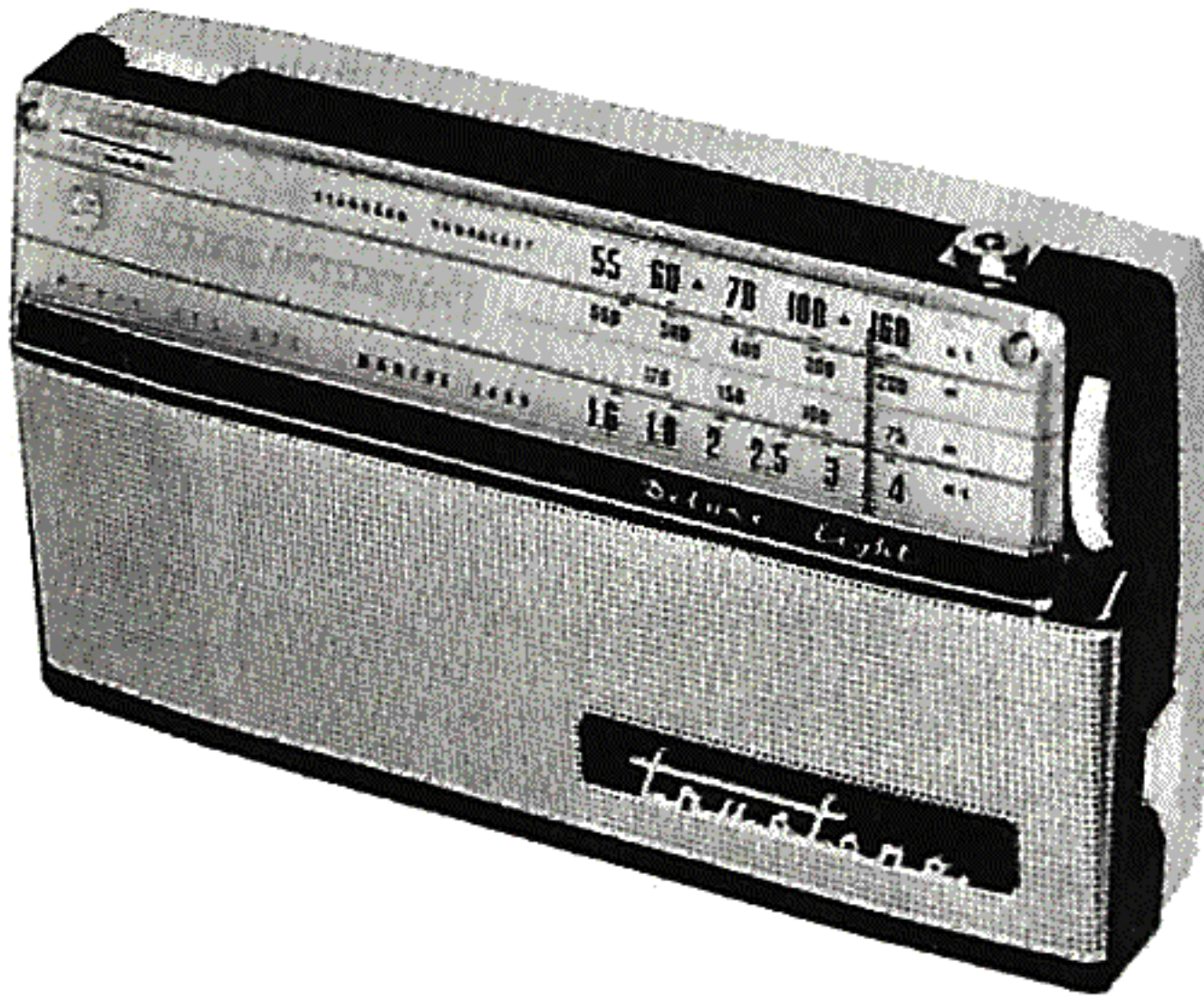
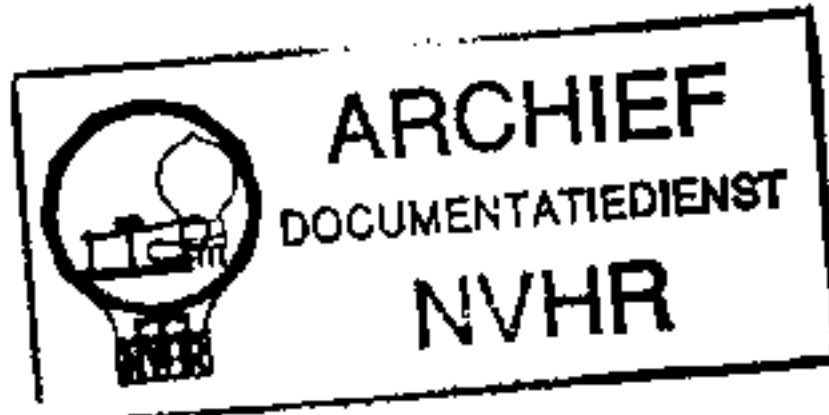
PHOTOFACT® Folder

with CIRCUITRACE

TRUETONE
MODEL DC3280

Ned. Ver. v. Historie v/d Radio

Met dank aan Jef Bos



TRADE NAME Truetone Model DC3280
 SUPPLIER Western Auto Supply Co., 2107 Grand Ave., Kansas City 8, Missouri
 TYPE SET Battery Operated 9 Transistor Portable BC-SW Receiver
 POWER SUPPLY 4.5 Volts DC RATING 15 MA @ 4.5 Volts DC (No Signal, Min. Volume)
 22MA @ 4.5 Volts DC (Signal, Normal Volume)
 TUNING RANGE — BROADCAST 540 — 1605KC SHORT WAVE (Marine) 1.5 — 4 MC

ALIGNMENT INSTRUCTIONS

ALIGNMENT INSTRUCTIONS—READ CAREFULLY BEFORE ATTEMPTING ALIGNMENT

Use only enough generator output to provide a usable indication.

Suggested Alignment Tools:

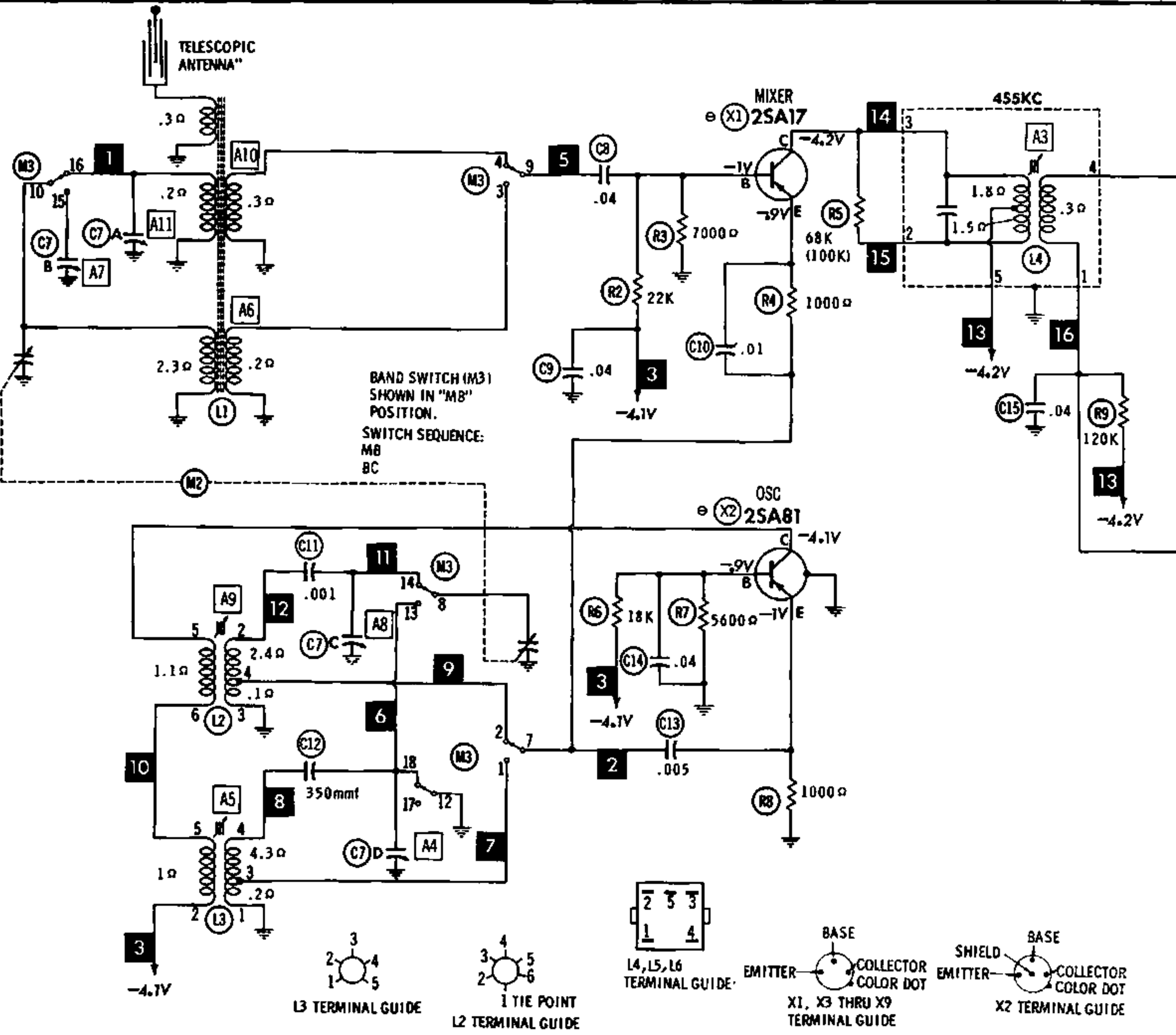
- A1, A2, A3..... GENERAL CEMENT #8282, 8606, 8606-L, 9091
 WALSCO #2526, 2541, 2542, 2543, 2544
- A4, A7, A8, A11..... GENERAL CEMENT #5000, 5003, 5066, 8276, 8290, 9087, 9089
 WALSCO #2512, 2525, 2528
- A5, A9..... GENERAL CEMENT #5000, 5003, 5066, 8271, 8272, 8276, 8277, 8290, 8609, 8722, 9150, 9298
 WALSCO #2515, 2516, 2518, 2519, 2525, 2541

	SIGNAL GENERATOR COUPLING	SIGNAL GENERATOR FREQUENCY	RADIO DIAL SETTING	INDICATOR	ADJUST	REMARKS
1.	Fashion loop of several turns of wire and radiate signal into loop of receiver.	455KC (Unmod.)	(BC) Tuning gang fully open.	DC VTVM across volume control.	A1, A2, A3	Adjust for maximum deflection.
2.	"	1605KC	"	"	A4	"
3.	"	600KC	600KC Signal	"	A5	Adjust for maximum deflection while rocking tuning gang. Repeat steps 2 and 3.
4.	"	"	"	"	A6	Adjust for maximum output by moving antenna coil turns along ferrite core.
5.	"	1400KC	1400KC Signal	"	A7	Adjust for maximum deflection.
6.	"	4MC	(SW) Tuning gang fully open.	"	A8	"
7.	"	1.8MC	1.8MC Signal	"	A9	Adjust for maximum deflection while rocking tuning gang. Repeat Steps 6 and 7.
8.	"	"	"	"	A10	Adjust for maximum output by moving antenna coil turns along ferrite core.
9.	"	3.8MC	3.8MC Signal	"	A11	Adjust for maximum deflection.

HOWARD W. SAMS & CO., INC. Indianapolis 6, Indiana

The listing of any available replacement part herein does not constitute in any case a recommendation, warranty or guaranty by Howard W. Sams & Co., Inc., as to the quality and suitability of such replacement part. The numbers of these parts have been compiled from information furnished to Howard W. Sams & Co., Inc., by the manufacturers of LF507

the particular type of replacement part listed. Reproduction or use, without express permission, of editorial or pictorial content, in any manner, is prohibited. No patent liability is assumed with respect to the use of the information contained herein. ©1962 Howard W. Sams & Co., Inc., Indianapolis 6, Indiana. Printed in U.S. of America



TELESCOPIC ANTENNA

MIXER (X1) 2SA17

455KC

BAND SWITCH (M3) SHOWN IN "MB" POSITION.
SWITCH SEQUENCE:
MB
BC

OSC (X2) 2SA81

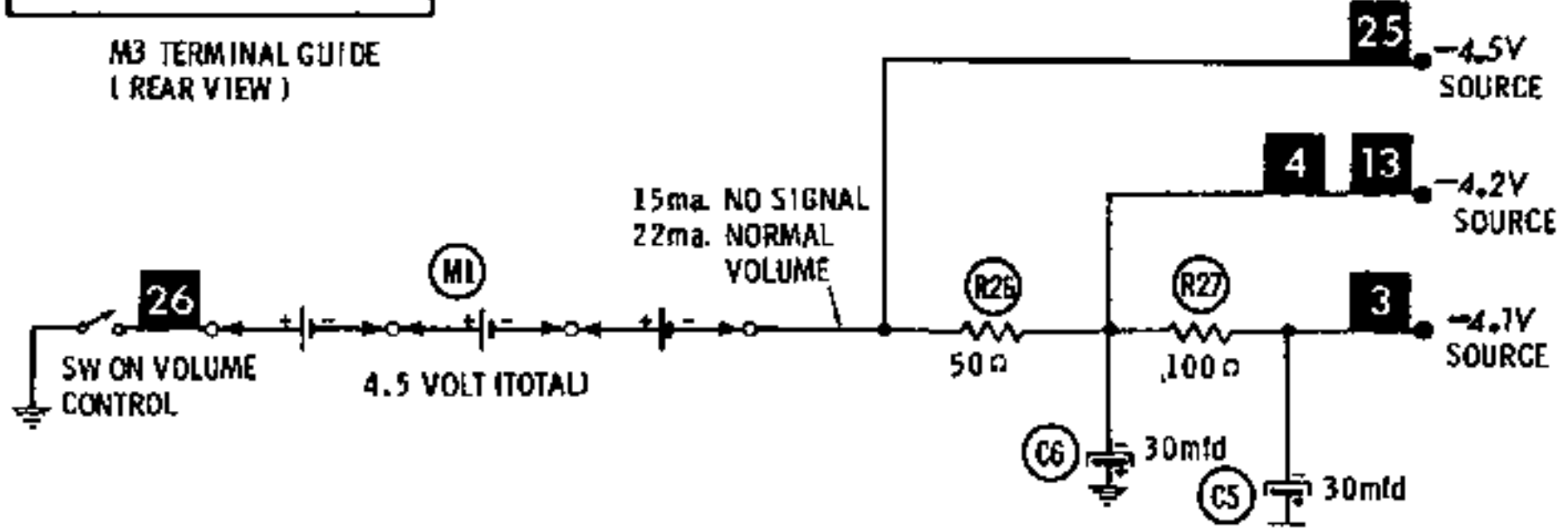
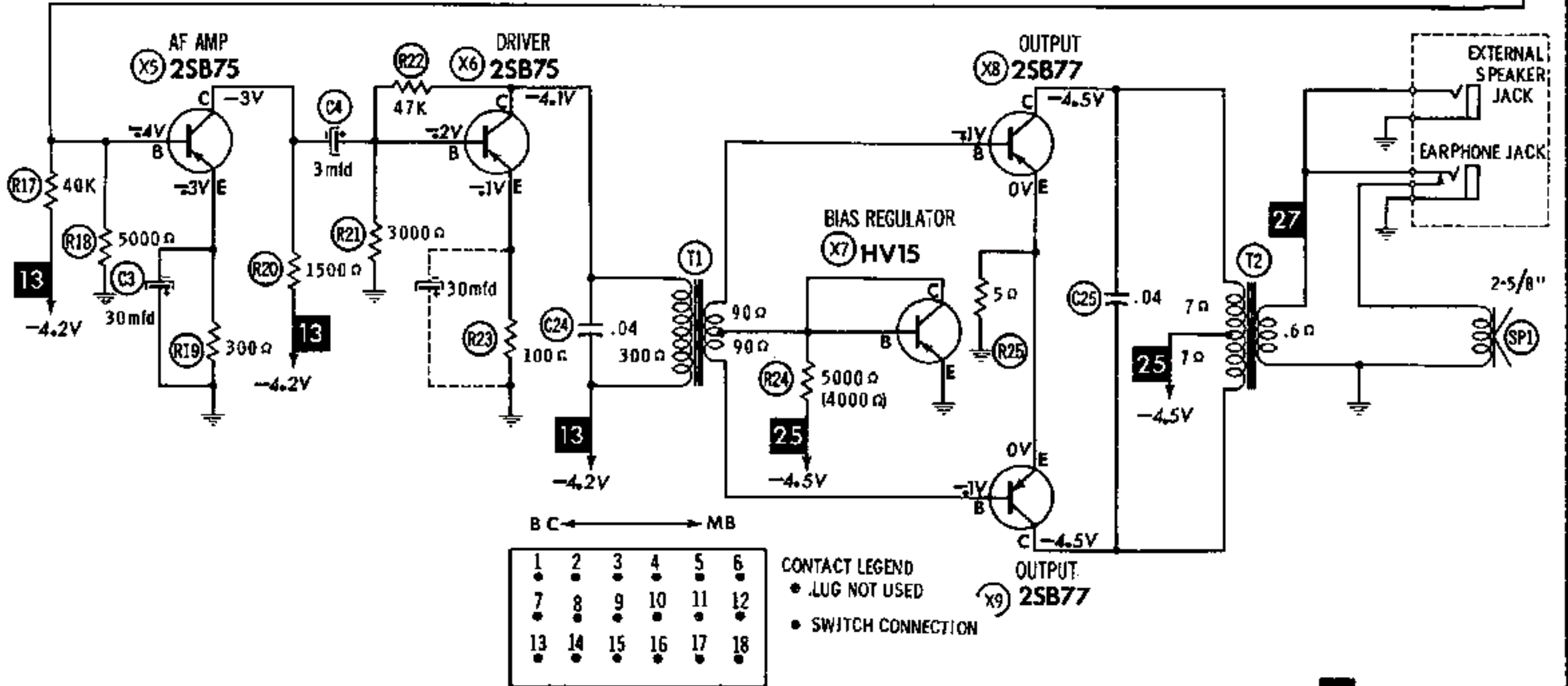
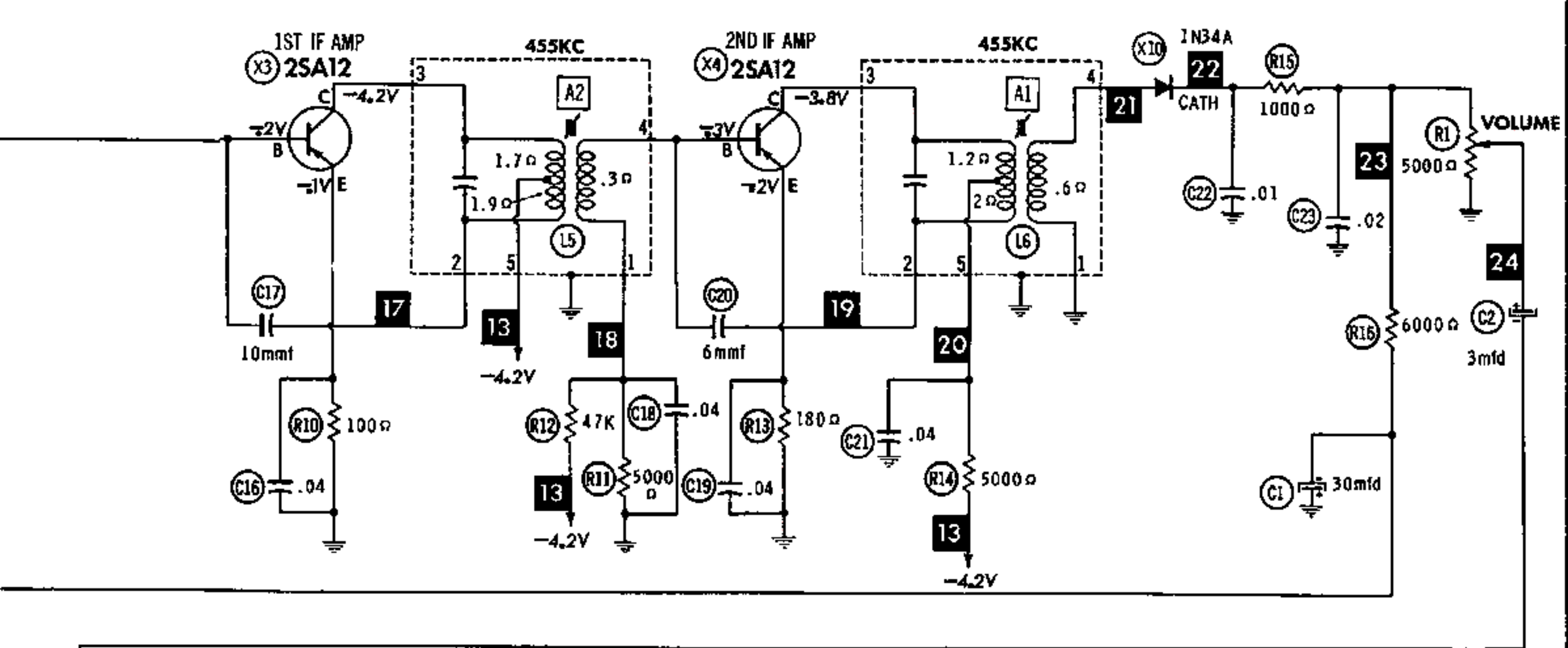
L3 TERMINAL GUIDE

L2 TERMINAL GUIDE

L4, L5, L6
TERMINAL GUIDE

X1, X3 THRU X9
TERMINAL GUIDE

X2 TERMINAL GUIDE



RESISTANCE MEASUREMENTS NOT GIVEN BECAUSE OF THE WIDE VARIATION IN INTERNAL TRANSISTOR RESISTANCE.

SEE PARTS LIST FOR ALTERNATE VALUE OR APPLICATION

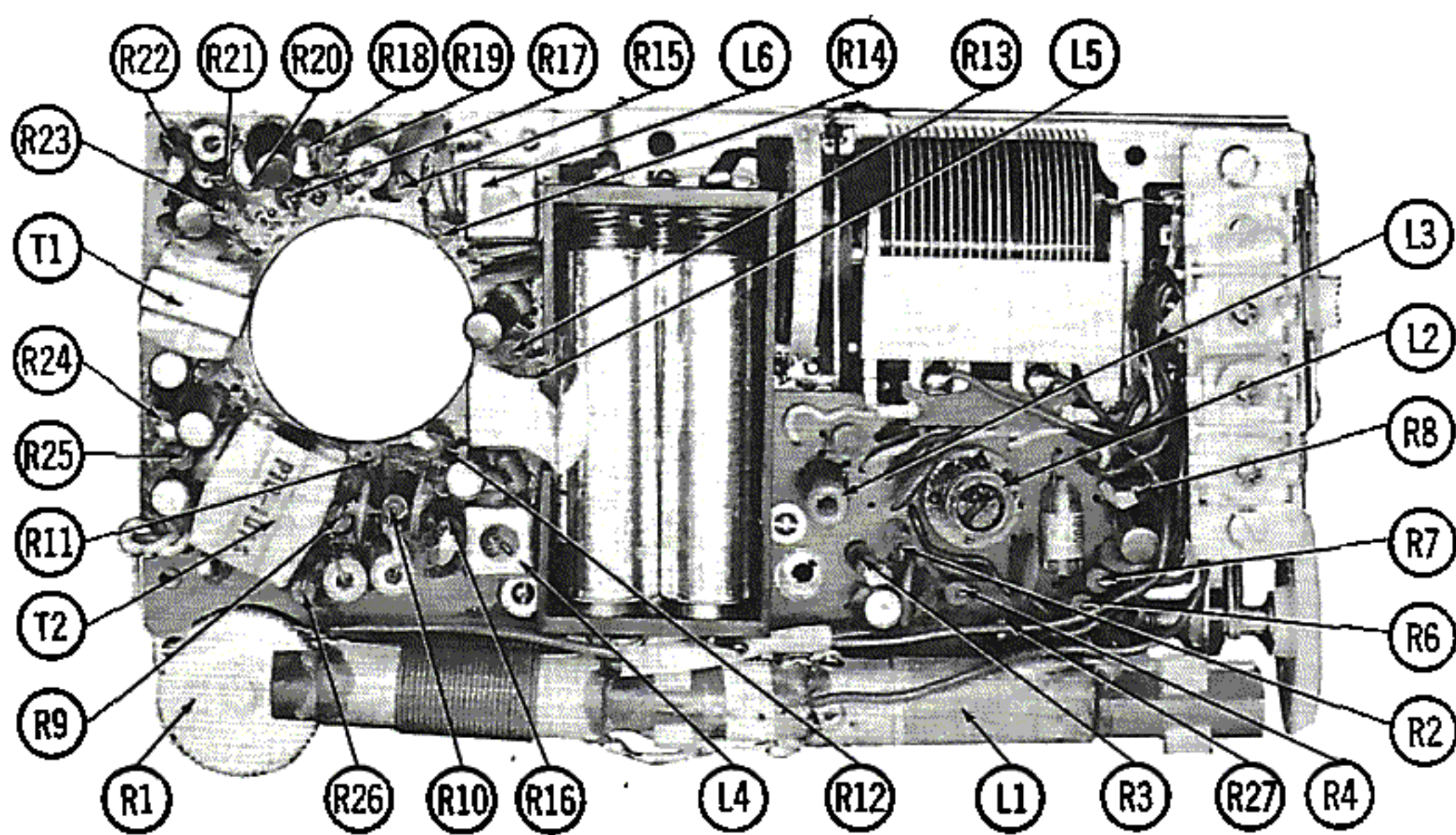
NUMBERS ASSIGNED TO COILS, SWITCHES, PLUGS, SOCKETS, AND TRANSFORMERS ARE TO FACILITATE CIRCUIT TRACING OR COMPONENT REPLACEMENT AND MAY NOT NECESSARILY BE FOUND ON THE UNIT.

1. DC voltage measurements taken with vacuum tube voltmeter.
2. Socket connections or transistor terminals are shown as bottom views.
3. Measured values are from socket pin or terminal to common ground.
4. Nominal tolerance on component values makes possible a variation of $\pm 15\%$ in voltage and resistance readings.
5. Volume control at maximum, no signal applied for voltage measurements.

A PHOTOFAC STANDARD NOTATION SCHEMATIC with CIRCUITRACE

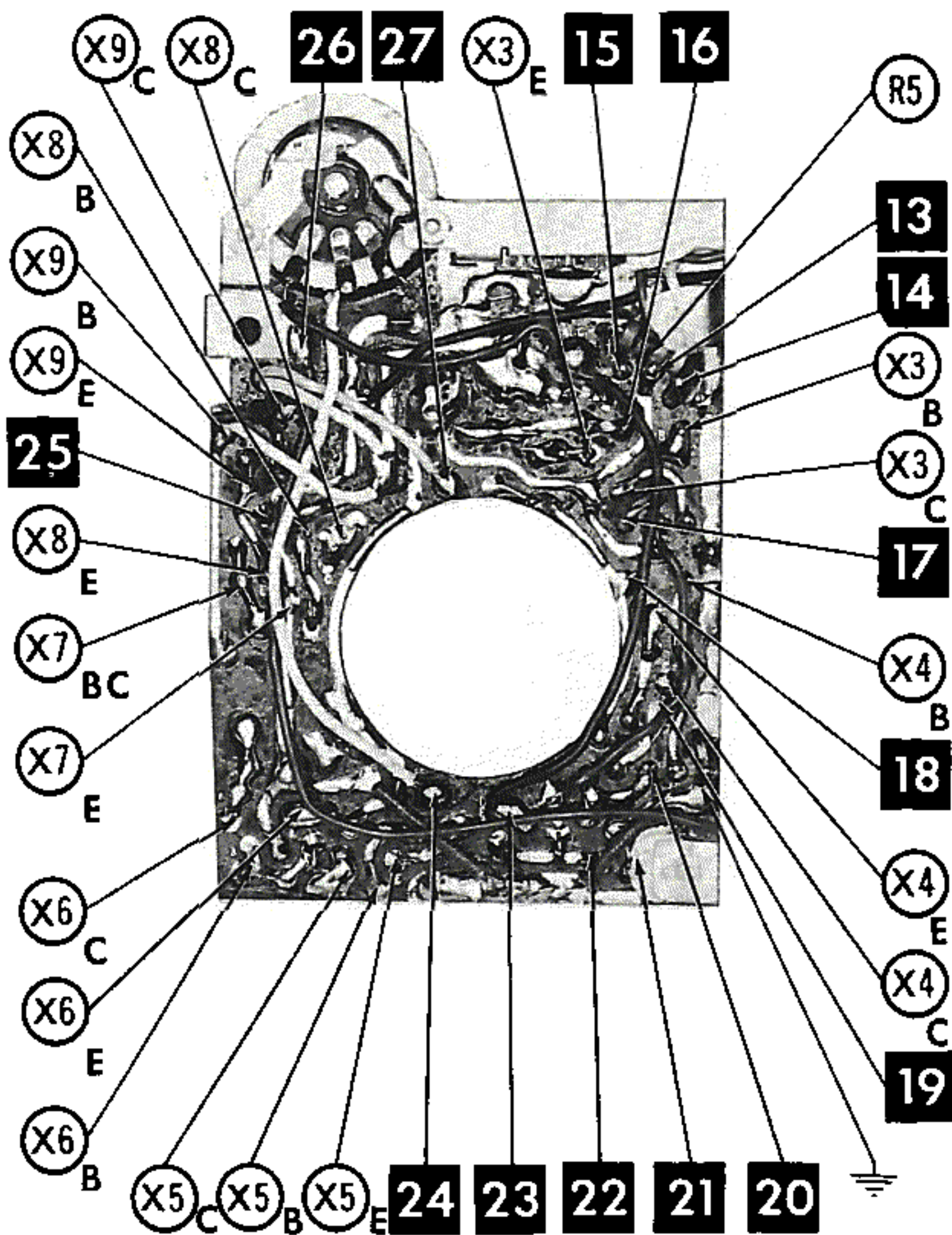
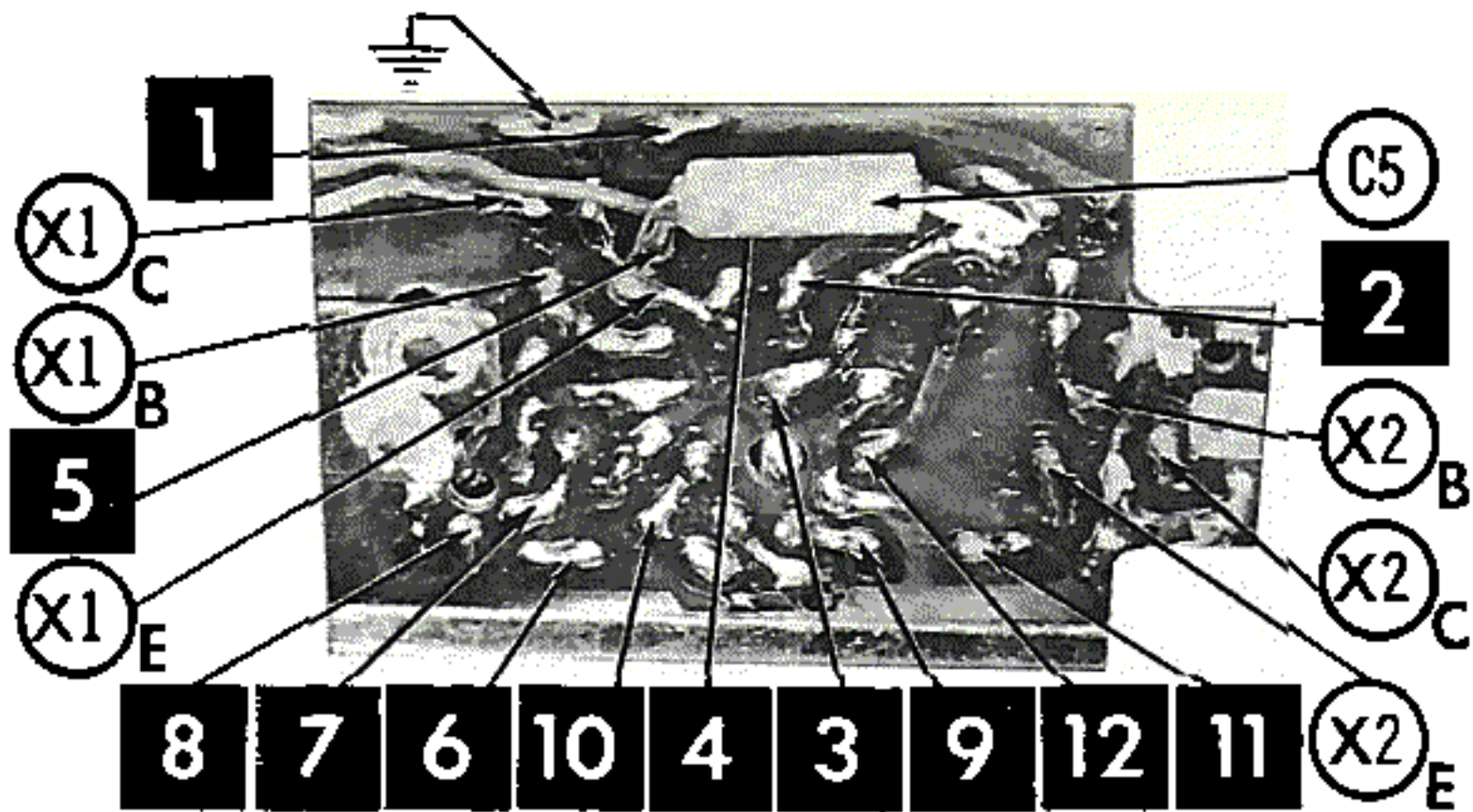
© Howard W. Sams & Co., Inc. 1962

TRUETONE MODEL DC3280



CHASSIS TOP VIEW-RESISTOR & INDUCTOR IDENT.

E-EMITTER
B-BASE
C-COLLECTOR



WIRING DATA

General-use Unshielded Hook-up Wire Use BELDEN No. 8530 (Solid 22AWG) Available
 8524 (Stranded 22AWG) In
 8570 (Stranded 26AWG) 12 Colors

TRANSISTORS

ITEM No.	ORIG. TYPE	USE	REPLACEMENT DATA		NOTES
			GENERAL ELECTRIC PART No.	RCA PART No.	
X1	2SA17	Mixer			PNP
	2SA83*	Mixer			PNP
X2	2SA81	Oscillator		2N371	PNP
	HJ71*	Oscillator		2N371	PNP
X3	2SA12	1st IF Amp.		2N410	PNP
X4	2SA12	2nd IF Amp.		2N410	PNP
X5	2SB75	AF Amp.		2N406	PNP
X6	2SB75	Driver		2N406	PNP
X7	HV15	Bias Regulator		1N2326	PNP (Diode Connected)
X8	2SB77	Output		2N408	PNP
X9	2SB77	Output		2N408	PNP

* Alternate.

POWER RECTIFIERS & SIGNAL DIODES

ITEM No.	CURRENT RATING (Measured)	ORIGINAL Part or Type No.	RECTIFIERS		DIODES	NOTES
			RCA PART No.	SARKES TARZIAN PART No.		
X10		1N34A				Detector

ELECTROLYTIC CAPACITORS

ITEM No.	RATING		REPLACEMENT DATA						
	CAP.	VOLT.	TRUETONE PART No.	AEROVOX PART No.	CORNELL-DUBILIER PART No.	GENERAL ELECTRIC PART No.	MALLORY PART No.	PYRAMID PART No.	SPRAGUE PART No.
C1	30	6	CF306	CRE313	NLW30-6	MT1-13	TT6X30	MLV30-6	TE-1092
C2	3	10	CF310	PTT36	NLW3-25	MT1-3	TT12X3		TE-1122
C3	30	6	CF306	CRE313	NLW30-6	MT1-13	TT6X30	MLV30-6	TE-1092
C4	3	10	CF310	PTT36	NLW3-25	MT1-3	TT12X3		TE-1122
C5	30	6	CF306	PTT27	NLW30-6	MT1-13	TT6X30	MLV30-6	TE-1092
C6	30	6	CF306	CRE313	NLW30-6	MT1-13	TT6X30	MLV30-6	TE-1092

ND DESCRIPTIONS

FIXED CAPACITORS

ITEM No.	RATING	REMARKS	REPLACEMENT DATA					
			AEROVOX PART No.	CENTRALAB PART No.	CORNELL-DUBILIER PART No.	ELMENCO PART No.	MALLORY PART No.	SPRAGUE PART No.
C7A B C D		} #TS-4						
C8	.04		BPD-05	DD-403	BYB6S4		GP140	5HK-S40
C9	.04		BPD-05	DD-403	BYB6S4		GP140	5HK-S40
C10	.01		BPD-01	DD-103	BYA10S1	CCD-103	B-110	5HK-S10
C11	.001		BPD-001	DD-102	BYA10D1	CCD-102	B-210	5HK-D10
C12	350			DD-351	L10T35		GP335	10TS-T35
C13	.006		BPD-005	DD-502	BYA10D5	CCD-502	B-250	5HK-D50
C14	.04		BPD-05	DD-403	BYB6S4		GP140	5HK-S40
C15	.04		BPD-05	DD-403	BYB6S4		GP140	5HK-S40
C16	.04		BPD-05	DD-403	BYB6S4		GP140	5HK-S40
C17	10		SI 10	DD-100	L10Q1	CCD-100	GP410	10TS-Q10
C18	.04		BPD-05	DD-403	BYB6S4		GP140	5HK-S40
C19	.04		BPD-05	DD-403	BYB6S4		GP140	5HK-S40
C20	8		SI 5	DD-060	L10V5	CCD-050	GP550	10TS-V60
C21	.04		BPD-05	DD-403	BYB6S4		GP140	5HK-S40
C22	.01		BPD-01	DD-103	BYA10S1	CCD-103	B-110	5HK-S10
C23	.02		BPD-02	DD-203	BYB6S2	CCD-203	B-120	5HK-S20
C24	.04		BPD-05	DD-403	BYB6S4		GP140	5HK-S40
C25	.04		BPD-05	DD-403	BYB6S4		GP140	5HK-S40

Truetone Part Number.

CONTROLS

All wattages 1/2 watt, or less, unless otherwise listed.

ITEM No.	USE	RESIST-ANCE	REPLACEMENT DATA				
			TRUETONE PART No.	CENTRALAB PART No.	CLAROSTAT PART No.	CTS-IRC PART No.	MALLORY PART No.
R1	Volume & Switch	5000Ω	VCMB (36.05A)				

RESISTORS

All wattages 1/2 watt, or less, unless otherwise listed.

ITEM No.	RATING	REPLACEMENT DATA			ITEM No.	RATING	REPLACEMENT DATA		
		IRC PART No.	WORKMAN PART No.	REMARKS			IRC PART No.	WORKMAN PART No.	REMARKS
R2	22K				R8	1000Ω			
R3	7000Ω				R9	120K			
R4	1000Ω				R10	100Ω			
R5	68K			(100K) *	R11	5000Ω			
R6	18K				R12	47K			
R7	5600Ω				R13	180Ω			

PARIS LIST AND DESCRIPTIONS

RESISTORS(cont)

All wattages 1/2 watt, or less, unless otherwise listed.

ITEM No.	RATING	REPLACEMENT DATA			ITEM No.	RATING	REPLACEMENT DATA		
		IRC PART No.	WORKMAN PART No.	REMARKS			IRC PART No.	WORKMAN PART No.	REMARKS
R14	5000Ω				R21	3000Ω			
R15	1000Ω				R22	47K			
R16	8000Ω				R23	100Ω			
R17	40K				R24	5000Ω			(4000Ω)*
R18	5000Ω				R25	5Ω			
R19	300Ω				R26	50Ω			
R20	1500Ω				R27	100Ω			

* Alternate Value.

COILS (RF-IF)

ITEM No.	USE	REPLACEMENT DATA					NOTES
		TRUETONE PART No.	Merit PART No.	Miller PART No.	Stancor PART No.	Workman PART No.	
L1	Loopstick	BCMB					
L2	SW Csc.	OCMB					
L3	BC Osc.	OCBC					
L4	1st IF	IFT					
L5	2nd IF	IFM					
L6	3rd IF						

TRANSFORMER (DRIVER)

ITEM No.	TURNS RATIO		REPLACEMENT DATA					NOTES
			TRUETONE PART No.	MERIT PART No.	STANCOR PART No.	THORDARSON PART No.	TRIAD PART No.	
	PRI.	SEC.						
T1	1.4	1	PTA-1413					

TRANSFORMER (AUDIO OUTPUT)

ITEM No.	IMPEDANCE		REPLACEMENT DATA					NOTES
			TRUETONE PART No.	Merit PART No.	Stancor PART No.	Thordarson PART No.	Triad PART No.	
	PRI.	SEC.						
T2	200Ω CT	8-8Ω	PTO-1014					

SPEAKER

ITEM No.	TYPE			REPLACEMENT DATA		NOTES
				TRUETONE PART No.	QUAM PART No.	
	SIZE	FIELD	V. C. IMP.			
SP1	2 5/8"	PM	6-8Ω	\$2.25		

BATTERIES

ITEM No.	VOLTAGE	TRUETONE PART No.	REPLACEMENT DATA						NOTES
			BURGESS		EVEREADY		MALLORY		
			"A"	"B"	"A"	"B"	"A"	"B"	
M1	1 1/2V			930		1015		M-15R	3 Required

MISCELLANEOUS

ITEM No.	PART NAME	TRUETONE PART No.	NOTES
M2	Tuning Cap.	CV-5205	2 Gang Band Selector
M3	Switch	BCS	
	Rod Antenna	AR	

CABINETS & CABINET PARTS

(When Ordering Cabinets & Cabinet Parts, Specify Model, Chassis & Color)

NAME	PART NO.	DESCRIPTION
Knob, Volume	KVC	
Knob, Tuning	TT	
Dial Face	PDF	
Cabinet Front	PCF	
Cabinet Rear	PRC	

CHASSIS—TOP VIEW

