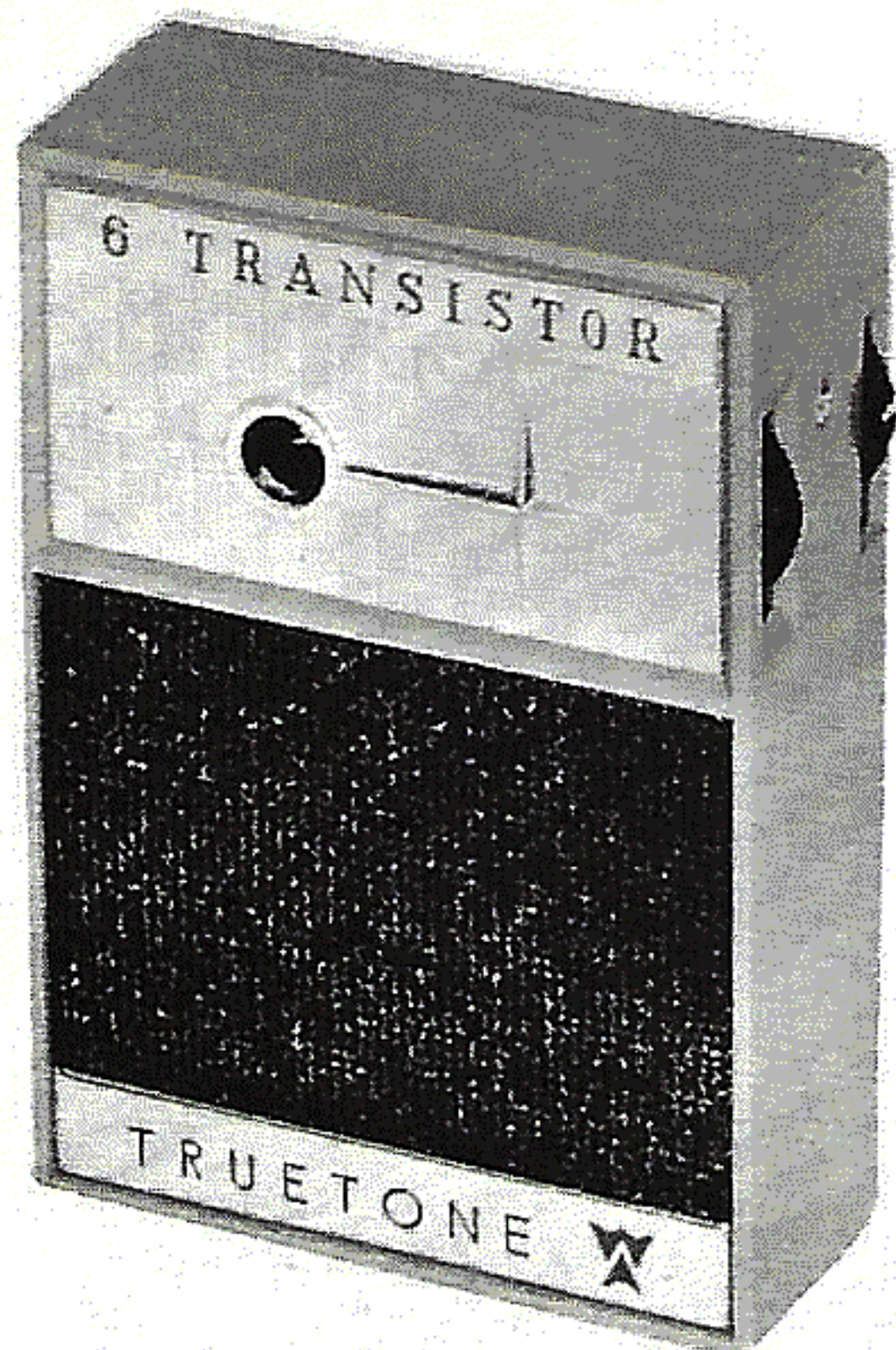
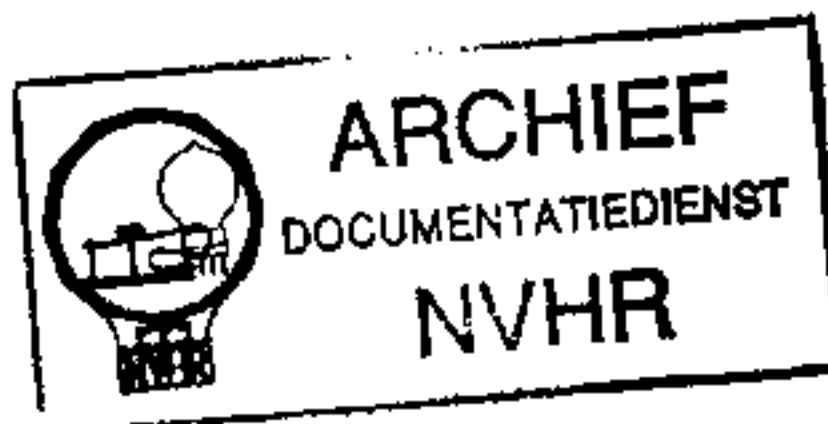
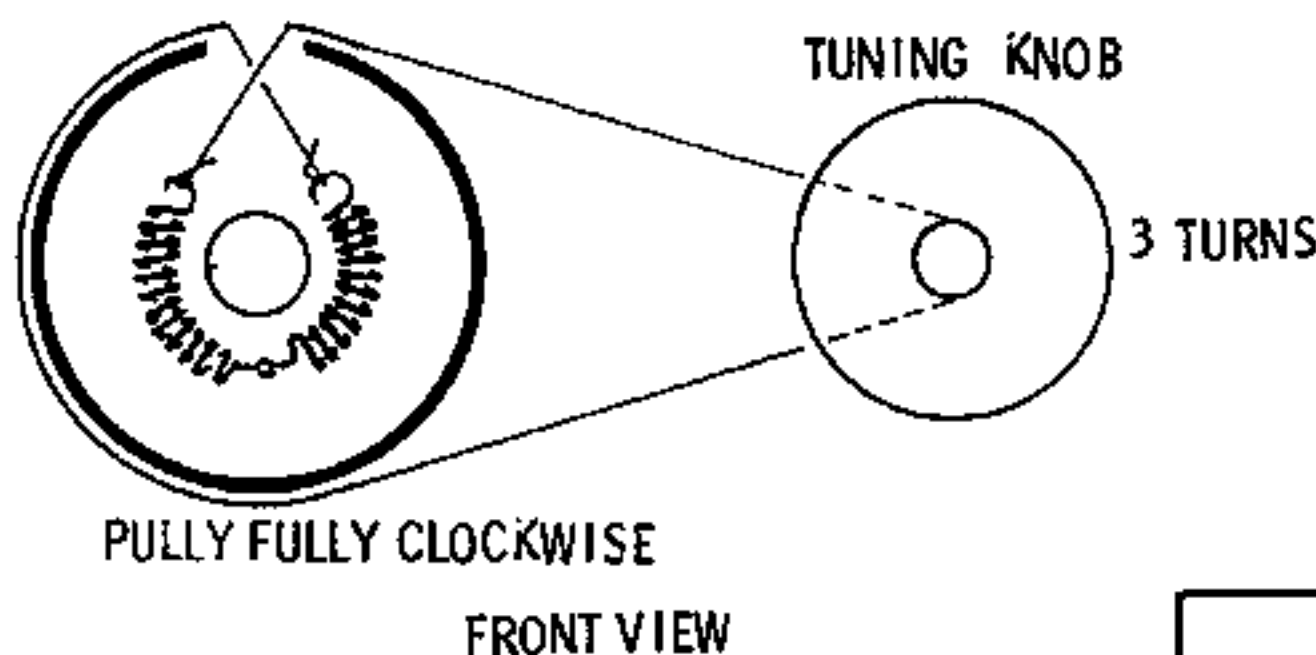




Ned. Ver. v. Historie v/d Radio
Met dank aan Jef Bos



MODEL DC3164A



MODELS DC3164A, DC3166A

| | | | |
|------------------------|---|--------|--|
| TRADE NAME | Truetone Models DC3164A, DC3166A | | |
| SUPPLIER | Western Auto Supply Co., 2107 Grand Ave., Kansas City 8, Missouri | | |
| TYPE SET | Battery Operated 6 Transistor Portable AM Receiver | | |
| POWER SUPPLY | 4.2 Volts DC | RATING | 8MA @4.2 Volts DC (No Signal, Min. Volume) |
| TUNING RANGE—BROADCAST | 540 — 1680KC | | 15MA @4.2 Volts DC (Signal, Normal Volume) |

ALIGNMENT INSTRUCTIONS

ALIGNMENT INSTRUCTIONS—READ CAREFULLY BEFORE ATTEMPTING ALIGNMENT

Volume control should be at maximum position. Output of signal generator should be no higher than necessary to obtain an output reading.

Suggested Alignment Tools:

- A1, A2, A3, A5..... GENERAL CEMENT #5009, 8195, 8274, 8275, 8728, 8729, 8987, 8988, 8989
WALSCO #2515, 2531, 2532
- A4, A6..... GENERAL CEMENT #5000, 5003, 5066, 8276, 8290, 9087, 9089
WALSCO #2512, 2525, 2528

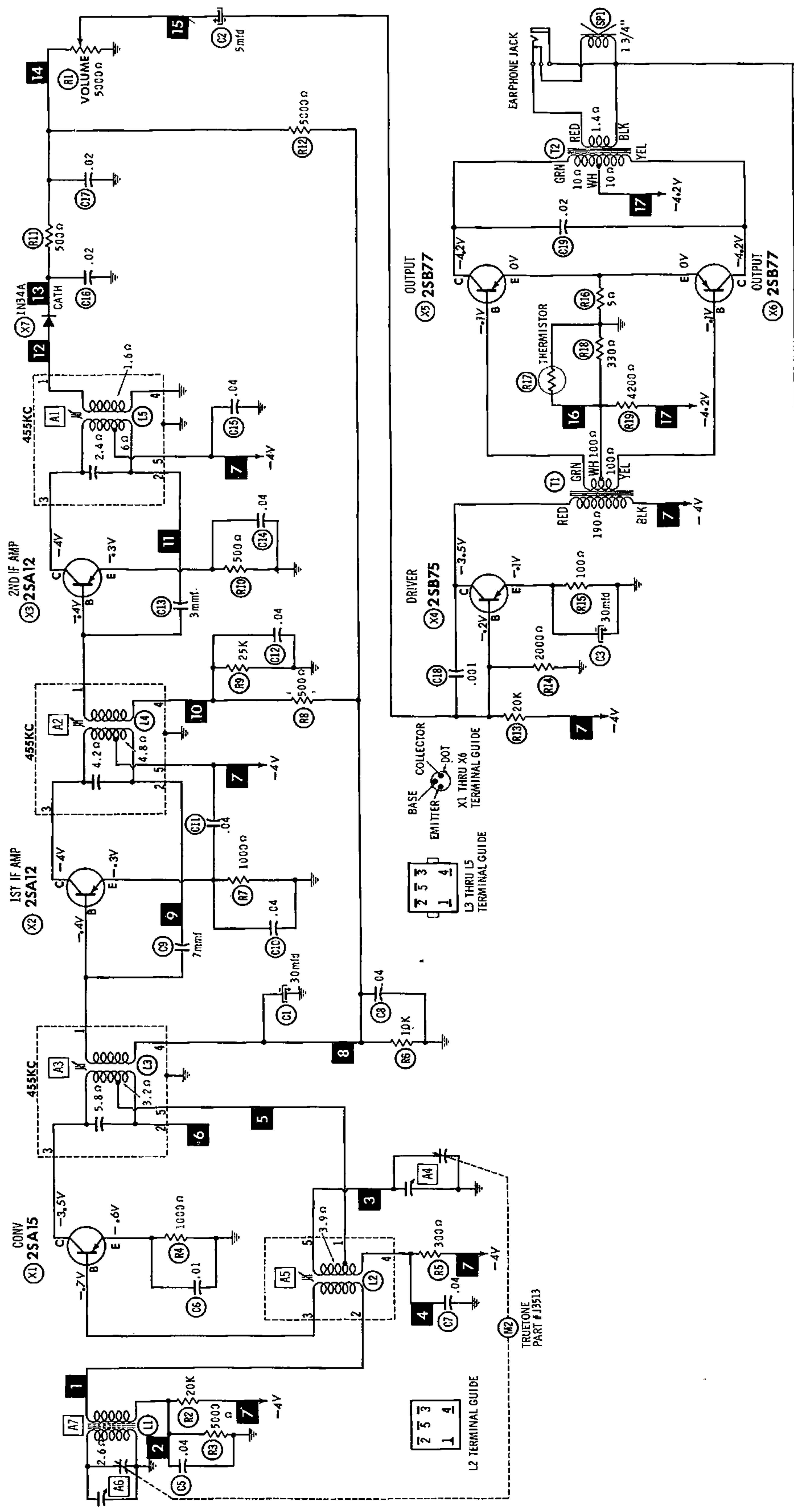
| | SIGNAL GENERATOR COUPLING | SIGNAL GENERATOR FREQUENCY | RADIO DIAL SETTING | CONNECT VTVM | ADJUST | REMARKS |
|----|---|----------------------------|-------------------------|---|------------|--|
| 1. | Fashion loop of several turns of wire and radiate signal into loop of receiver. | 455KC (Unmod.) | Tuning gang fully open. | DC probe to high side of Volume control, common to chassis. | A1, A2, A3 | Adjust for maximum deflection. |
| 2. | " | 1680KC | " | " | A4 | " |
| 3. | " | 600KC | 600KC Signal. | " | A5 | Adjust for maximum deflection while rocking tuning gang. Repeat Steps 2 & 3. |
| 4. | " | 1400KC | 1400KC Signal. | " | A6 | Adjust for maximum deflection. |
| 5. | " | 600KC | 600KC Signal. | " | A7 | " |

HOWARD W. SAMS & CO., INC. Indianapolis 6, Indiana

The listing of any available replacement part herein does not constitute in any case a recommendation, warranty or guaranty by Howard W. Sams & Co., Inc., as to the quality and suitability of such replacement part. The numbers of these parts have been compiled from information furnished to Howard W. Sams & Co., Inc., by the manufacturers of LF291

the particular type of replacement part listed. Reproduction or use, without express permission, of editorial or pictorial content, in any manner, is prohibited. No patent liability is assumed with respect to the use of the information contained herein. ©1962 Howard W. Sams & Co., Inc., Indianapolis 6, Indiana. Printed in U.S. of America





DC COIL RESISTANCE VALUES UNDER ONE OHM NOT SHOWN ON SCHEMATIC DIAGRAM

1. DC voltage measurements taken with vacuum tube voltmeter.
2. Socket connections or transistor terminals are shown as bottom views.
3. Measured values are from socket pin or terminal to common ground.
4. Nominal tolerance on component values as possible a variation of +15% in voltage and resistance readings.
5. Volume control at maximum, no signal applied for voltage measurements.

RESISTANCE MEASUREMENTS NOT GIVEN BECAUSE OF THE WIDE VARIATION IN INTERNAL TRANSISTOR RESISTANCE.

A PHOTOGRAPH OF STANDARD ROTARY RESISTIVE SCHEMATIC

NUMBERS ASSIGNED TO COILS, SWITCHES, PLUGS, SOCKETS, AND TRANSFORMERS ARE TO FACILITATE CHECKED TRACING OR COMMON POINTS OF CONTACT AND MAY VARY SLIGHTLY IN POSITION FROM FIGURE.

FIG. 1. TRUETONE PART #J3513

PARTS LIST AND DESCRIPTIONS

WIRING DATA

General-use Unshielded Hook-up Wire Use BILDEN No. 8530 (Solid 22AWG) Available in 12 Colors
 8524 (Stranded 22AWG)
 8570 (Stranded 26AWG)

TRANSISTORS

| ITEM No. | ORIG. TYPE | USE | REPLACEMENT DATA | | NOTES |
|----------|------------|------------------|------------------|-------------------|-------|
| | | | RCA PART No. | RAYTHEON PART No. | |
| X1 | 2SA15 | Converter | 2N412 | | PNP |
| X2 | 2SA12 | 1st IF Amplifier | 2N410 | | PNP |
| X3 | 2SA12 | 2nd IF Amplifier | 2N410 | | PNP |
| X4 | 2SB75 | Driver | 2N406 | | PNP |
| X5 | 2SB77 | Output | 2N408 | | PNP |
| X6 | 2SB77 | Output | 2N408 | | PNP |

POWER RECTIFIERS & SIGNAL DIODES

| ITEM No. | CURRENT RATING (Measured) | ORIGINAL Part or Type No. | RECTIFIERS | | DIODES | NOTES |
|----------|---------------------------|---------------------------|--------------|-------------------------|-------------------|------------------|
| | | | RCA PART No. | SARKES TARZIAN PART No. | RAYTHEON PART No. | |
| X7 | | J241 | | | 1N34A | Detector (1N34A) |

ELECTROLYTIC CAPACITORS

| ITEM No. | RATING | | TRUETONE PART No. | REPLACEMENT DATA | | | | | |
|----------|--------|-------|-------------------|------------------|---------------------------|---------------------------|------------------|------------------|------------------|
| | CAP. | VOLT. | | AEROVOX PART No. | CORNELL-DUBILIER PART No. | GENERAL ELECTRIC PART No. | MALLORY PART No. | PYRAMID PART No. | SPRAGUE PART No. |
| C1 | 30 | 3 | J3211 | | NLW25-3 | | PET130 | | |
| C2 | 5 | 3 | J3217 | | NLW5-15 | | TT6X5 | | TE-1053 |
| C3 | 30 | 3 | J3211 | | NLW25-3 | | PET130 | | |
| C4 | 30 | 4 | J3216 | | NLW20-6 | | | | |

FIXED CAPACITORS

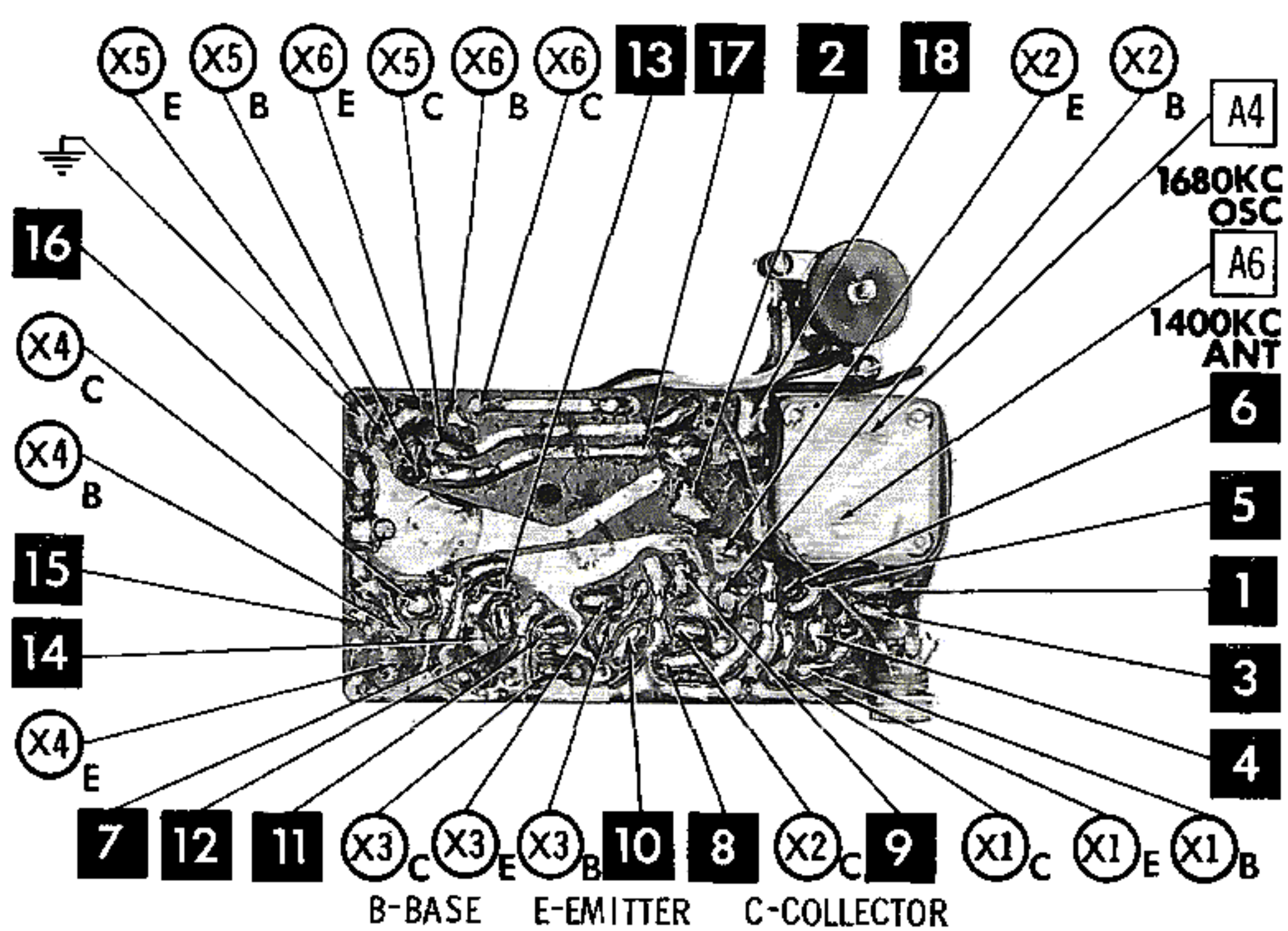
| ITEM No. | RATING | REMARKS | REPLACEMENT DATA | | | | | | |
|----------|--------|---------|------------------|--------------------|---------------------------|------------------|------------------|------------------|-----------|
| | | | AEROVOX PART No. | CENTRALAB PART No. | CORNELL-DUBILIER PART No. | ELMENCO PART No. | MALLORY PART No. | SPRAGUE PART No. | |
| C5 | .04 | #J3316 | | | | | | | |
| C6 | .01 | | C80V103AM | DM-103 | H-05S1 | | TA-110 | | TG-S10 |
| C7 | .04 | #J3316 | | | | | | | |
| C8 | .04 | #J3316 | | | | | | | |
| C9 | 7 | | NPO-DI 6.8 | DTZ-6R8 | C10V7C | CCTO-6R8 | CNO-568 | | 10TCC-V68 |
| C10 | .04 | | C80V503AM | DA-503 | H-05S5 | | TA-150 | | TG-S50 |
| C11 | .04 | #J3316 | | | | | | | |
| C12 | .04 | #J3316 | | | | | | | |
| C13 | 3 | | NPO-DI 3.0 | DTZ-3R3 | C10V3C | CCTO-3R3 | CNO-533 | | 10TCC-V33 |
| C14 | .04 | | C80V503AM | DA-503 | H-05S5 | | TA-150 | | TG-S50 |
| C15 | .04 | #J3316 | | | | | | | |
| C16 | .02 | | C80V203AM | DA-203 | H-05S2 | | TA-120 | | TG-S20 |
| C17 | .02 | | C80V203AM | DA-203 | H-05S2 | | TA-120 | | TG-S20 |
| C18 | .001 | | C80V102AM | DM-102 | H-05D1 | CCD-102 | B-210 | | 5HK-D10 |
| C19 | .02 | | C80V203AM | DA-203 | H-05S2 | | TA-120 | | TG-S20 |

Truetime Part Number.

CONTROLS

All wattages 1/2 watt, or less, unless otherwise listed.

| ITEM No. | USE | RESISTANCE | REPLACEMENT DATA | | | | |
|----------|-----------------|------------|-------------------|--------------------|--------------------|------------------|------------------|
| | | | TRUETONE PART No. | CENTRALAB PART No. | CLAROSTAT PART No. | CTS-IRC PART No. | MALLORY PART No. |
| R1 | Volume & Switch | 500Ω | J259 | | | | |



PARTS LIST AND DESCRIPTIONS (Continued)

RESISTORS

All wattages 1/2 watt, or less, unless otherwise listed.

| ITEM No. | RATING | REPLACEMENT DATA | | | ITEM No. | RATING | REPLACEMENT DATA | | |
|----------|--------|------------------|------------------|---------|----------|------------|------------------|------------------|---------|
| | | IRC PART No. | WORKMAN PART No. | REMARKS | | | IRC PART No. | WORKMAN PART No. | REMARKS |
| R2 | 20K | | | | R12 | 5000Ω | | | |
| R3 | 5000Ω | | | | R13 | 20K | | | |
| R4 | 1000Ω | | | | R14 | 2000Ω | | | |
| R5 | 300Ω | | | | R15 | 100Ω | | | |
| R6 | 10K | | | | R16 | 5Ω | | | |
| R7 | 1000Ω | | | | R17 | Thermistor | | | #J245 |
| R8 | 500Ω | | | | R18 | 330Ω | | | |
| R9 | 25K | | | | R19 | 4200Ω | | | |
| R10 | 500Ω | | | | R20 | 50Ω | | | |
| R11 | 500Ω | | | | | | | | |

COILS (RF-IF)

| ITEM No. | USE | REPLACEMENT DATA | | | | | NOTES |
|----------|-----------|-------------------|----------------|-----------------|------------------|------------------|-------|
| | | TRUETONE PART No. | Merit PART No. | Miller PART No. | Stancor PART No. | Workman PART No. | |
| L1 | Loopstick | J609 | | | | | |
| L2 | Osc. | J6121 | | | | | |
| L3 | 1st IF | J6216 | | | | | |
| L4 | 2nd IF | J6217 | | | | | |
| L5 | 3rd IF | L8218 | | | | | |

TRANSFORMER (DRIVER)

| ITEM No. | TURNS RATIO | | REPLACEMENT DATA | | | | | NOTES |
|----------|-------------|------|-------------------|----------------|------------------|---------------------|----------------|-------|
| | | | TRUETONE PART No. | Merit PART No. | Stancor PART No. | Thordarson PART No. | Triad PART No. | |
| | PRI. | SEC. | | | | | | |
| T1 | 2 | 1 | J1114 | | | | | |

TRANSFORMER (AUDIO OUTPUT)

| ITEM No. | IMPEDANCE | | REPLACEMENT DATA | | | | | NOTES |
|----------|-----------|--------|-------------------|----------------|------------------|---------------------|----------------|-------|
| | | | TRUETONE PART No. | Merit PART No. | Stancor PART No. | Thordarson PART No. | Triad PART No. | |
| | PRI. | SEC. | | | | | | |
| T2 | 182Ω | 10-12Ω | J1115 | | | | | |

SPEAKER

| ITEM No. | TYPE | | | REPLACEMENT DATA | | NOTES |
|----------|--------|-------|------------|-------------------|---------------|-------|
| | | | | TRUETONE PART No. | QUAM PART No. | |
| | SIZE | FIELD | V. C. IMP. | | | |
| SP1 | 1 5/4" | PM | 10-12Ω | J1010 | | |

BATTERIES

| ITEM No. | VOLTAGE | TRUETONE PART No. | REPLACEMENT DATA | | | | | | NOTES |
|----------|---------|-------------------|------------------|------|----------|------|---------|--------|-------|
| | | | BURGESS | | EVEREADY | | MALLORY | | |
| | | | "A" | "B" | "A" | "B" | "A" | "B" | |
| M1 | 4.2V | 7D9304 | | H133 | | E133 | | TR-133 | |

CABINETS & CABINET PARTS

(When Ordering Cabinets & Cabinet Parts, Specify Model, Chassis & Color)

| NAME | PART NO. | DESCRIPTION |
|---------------|----------|------------------------|
| Dial Plate | J4010 | Model EX-3104A |
| Dial Plate | J4013 | Model EX-3100A |
| Knob | J8022 | Tuning, Model EX-3100A |
| Knob | J8023 | Volume, Model EX-3100A |
| Knob | J8020 | Tuning, Model EX-3104A |
| Knob | J8021 | Volume, Model EX-3104A |
| Indicator | J1000 | Model EX-3104A |
| Indicator | J1001 | Model EX-3100A |
| Mount Bracket | J1002 | Model EX-3100A |
| Mount Bracket | J1003 | Model EX-3104A |

