



# PHOTOFACT<sup>®</sup> with

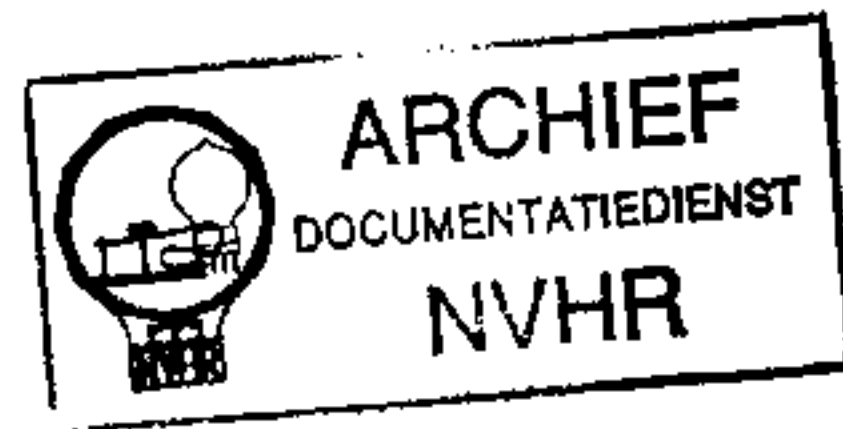
# CIRCUITRACE<sup>®</sup>

Met dank aan Jef Bos



TRADE NAME : Truetone Models DC309C (Revised DC3105A, DC3105B)  
 SUPPLIER : Western Auto Supply Co.,  
 2107 Grand Ave., Kansas City 8, Mo.  
 TYPE SET : 3 Transistor AM Receiver  
 POWER SUPPLY : 9 Volts DC  
 RATING : 16MA @ 9 VDC  
 TUNING RANGE : BROADCAST 535 - 1625KC

Ned. Ver. v. Historie v/d Radio



## ALIGNMENT INSTRUCTIONS

Check for specified source voltage.

Fashion loop of several turns of wire and connect generator across loop.

Adjust output of generator to radiate only enough signal into receiver to obtain a suitable indication.

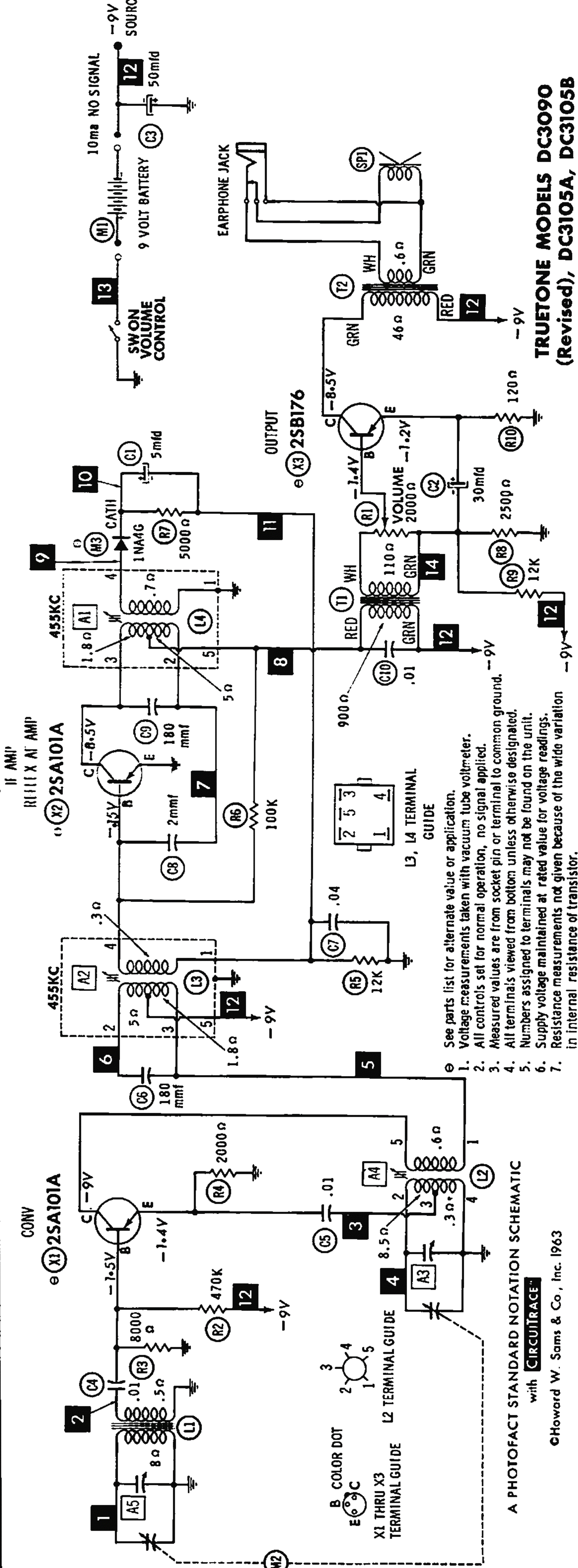
Suggested Alignment Tools:

A1, A2..... GENERAL CEMENT #5067, 8282, 8606  
 WALSCO #2526, 2543  
 A3, A5..... GENERAL CEMENT #5000, 5066, 8290  
 WALSCO #2525

	SIGNAL GENERATOR FREQUENCY	RADIO DIAL SETTING	INDICATOR	ADJUST	REMARKS
1.	455KC (400% Mod.)	Tuning gang fully open.	Output Meter across voice coil.	A1, A2,	Adjust for maximum. Repeat as required.
2.	1620KC	"	"	A3	Adjust for maximum.
3.	600KC	Tune to Signal.	"	A4	Rock tuning gang and adjust for maximum. Repeat steps 2 and 3.
4.	1400KC	"	"	A5	Adjust for maximum.

**HOWARD W. SAMS & CO., INC.** Indianapolis 6, Indiana

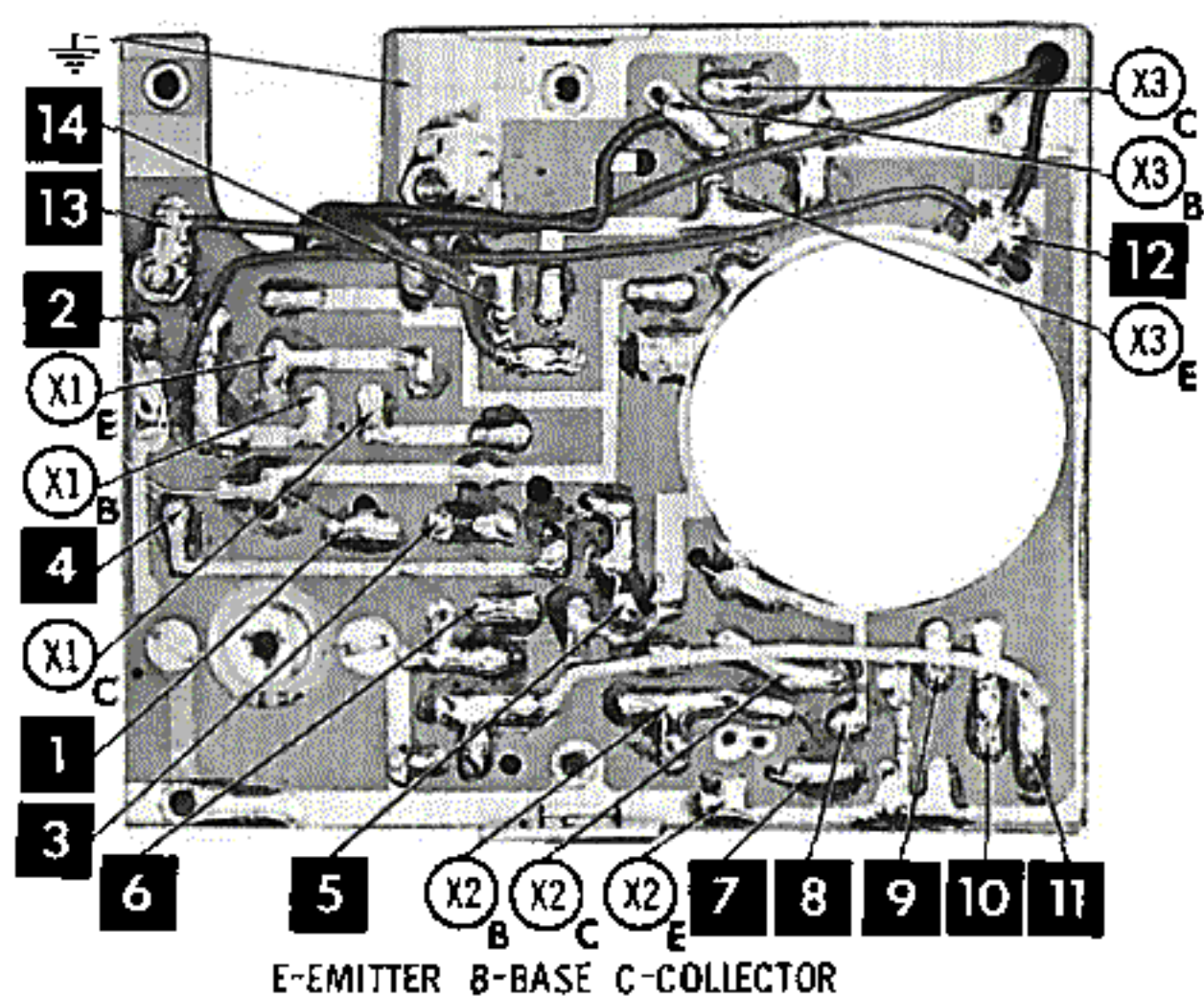
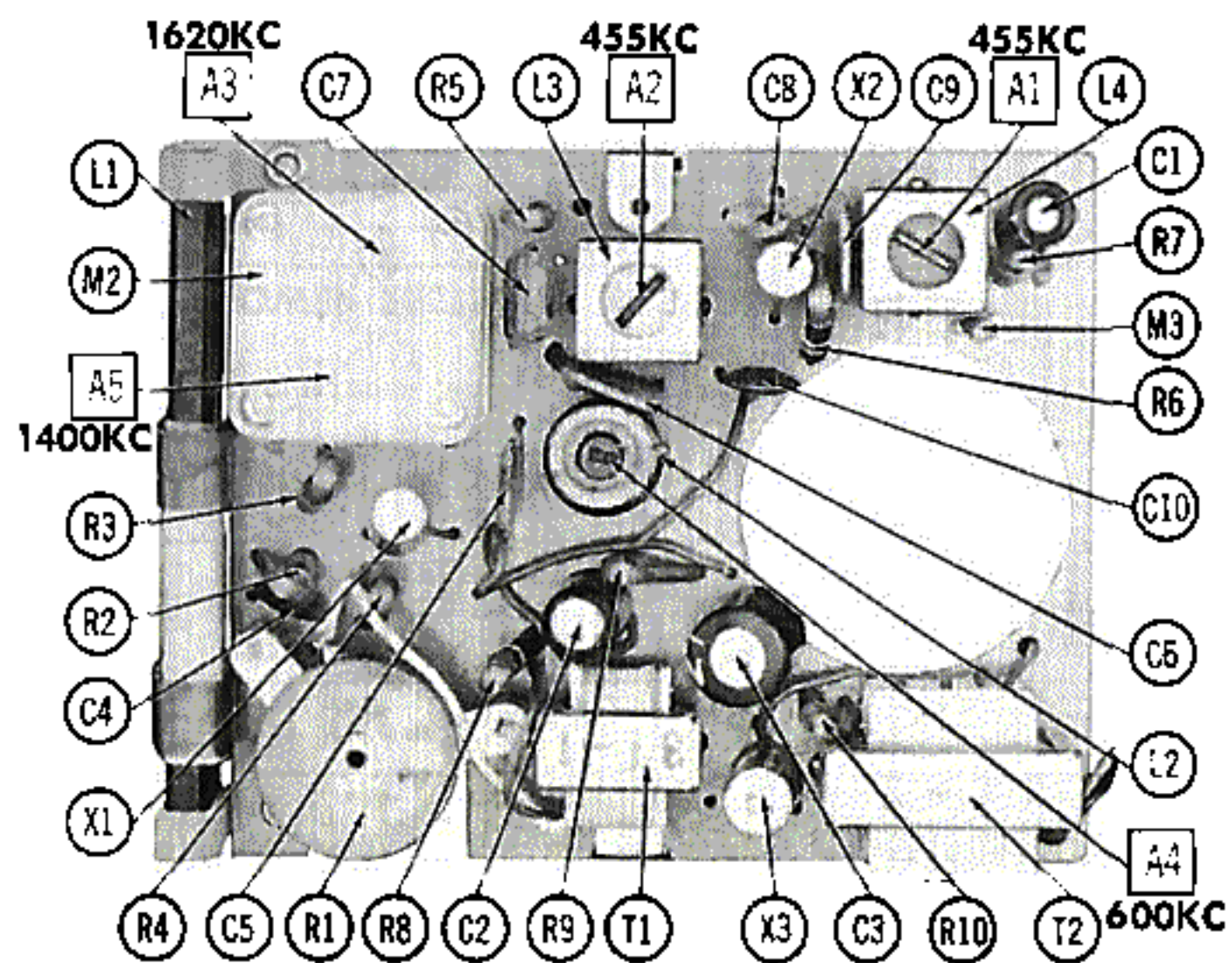
IF AMP  
REFLEX AT AMP



- See parts list for alternate value or application.
- Voltage measurements taken with vacuum tube voltmeter.
- All controls set for normal operation, no signal applied.
- Measured values are from socket pin or terminal to common ground.
- All terminals viewed from bottom unless otherwise designated.
- Numbers assigned to terminals may not be found on the unit.
- Supply voltage maintained at rated value for voltage readings.
- Resistance measurements not given because of the wide variation in internal resistance of transistor.

A PHOTOFACT STANDARD NOTATION SCHEMATIC  
with **CIRCUITRACE™**  
©Howard W. Sams & Co., Inc. 1963

TRUE-TONE MODELS DC3090  
(Revised), DC3105A, DC3105B



## WIRING DATA

General-use Unshielded Hook-up Wire .....	Use BELDEN No. 8530 (Solid 22AWG) 8524 (Stranded 22AWG) 8570 (Stranded 26AWG)	Available in 12 Colors
-------------------------------------------	-------------------------------------------------------------------------------------	------------------------------

## TRANSISTORS

ITEM No.	ORIG. TYPE	USE	REPLACEMENT DATA			NOTES
			DELCO PART No.	GENERAL ELECTRIC PART No.	RCA PART No.	
X1	2SA101A	Converter	DS-25	GE-1		PNP
X2	2SA101A*	IF Amplifier-AF Amp.	DS-25	GE-1		PNP
X3	2SB176†	Output	DS-28	GE-2	2N408	PNP

\* Alternate Types 2S30, MC101.

† Alternate Types OC72, 2S33, 2SB33, 2SB172.

## POWER RECTIFIERS & SIGNAL DIODES

ITEM No.	MEASURED CURRENT	ORIGINAL Part or Type No.	RECTIFIERS			NOTES
			MALLORY PART No.	RCA PART No.	SARKES TARZIAN PART No.	
M3		1NA4G*				Detector

\* Alternate 1N34, SD46, OA70.

## FIXED CAPACITORS

ITEM No.	RATING	REMARKS	REPLACEMENT DATA					
			AEROVOX PART No.	CENTRALAB PART No.	CORNELL-DUBILIER PART No.	ELMENCO PART No.	MALLORY PART No.	SPRAGUE PART No.
C4	.01		TTD-01	CK-103	H05S1		TA-110	TG-S10
C5	.01		TTD-01	CK-103	H05S1		TA-110	TG-S10
C6	180		DI-180	DD-181	L10T18	CCD-181	GP318	10TS-T18
C7	.04		TTD-05	CK-503	H0585		TA-150	TG-S50
C8	2		NPO-DI 2.0	DTZ-2R2	C10V2C	CCTO-2R2	CNO-522	10TCC-V22
C9	180		DI-180	DD-181	L10T18	CCD-181	GP318	10TS-T18
C10	.01		TTD-01	CK-103	H05S1		TA-110	TG-S10

## ELECTROLYTIC CAPACITORS

ITEM No.	RATING		REPLACEMENT DATA						
	CAP.	VOLT.	TRUETONE PART No.	AEROVOX PART No.	CORNELL-DUBILIER PART No.	GENERAL ELECTRIC PART No.	MALLORY PART No.	PYRAMID PART No.	SPRAGUE PART No.
C1	5	8	F56	BCD6005	ECPB405	MT1-3	TT6X5	MLV5-8	VL-1084
C2	30	6	F306	BCD6025	ECPB412	MT1-10	TT6X30	MLV30-6	VL-1092
C3	50	10	F5010	CRE417	NLW50-15	MT1-16		MLV50-10	TE-1119

## CONTROLS

All wattages 1/2 watt, or less, unless otherwise listed.

ITEM No.	USE	RESISTANCE	REPLACEMENT DATA				
			TRUETONE PART No.	CENTRALAB PART No.	CLAROSTAT PART No.	CIS IRC PART No.	MALLORY PART No.
R1	Volume & Switch	2000Ω	101	110-212 J			

Q the Original Knob.

# DESCRIPTION

## COILS (RF-IF)

ITEM No.	USE	REPLACEMENT DATA					NOTES
		TRUETONE PART No.	MERIT PART No.	MILLER PART No.	STANCOR PART No.	WORKMAN PART No.	
L1	Loop Bar Osc. Input IF Output IF	L-1					Note 1 Note 2
L2		T-1					
L3		T-2	BC-574				
L4		T-3	BC-576				

Note 1. Part #L-2 used in Model DC3105B.

Note 2. Part #C-O used in Model DC3105B.

## TRANSFORMER (DRIVER)

ITEM No.	TURNS RATIO		REPLACEMENT DATA					NOTES
			TRUETONE PART No.	MERIT PART No.	STANCOR PART No.	THORDARSON PART No.	TRIAD PART No.	
	PRI.	SEC.						
T1	2.2	1	3T1					

## TRANSFORMER (AUDIO OUTPUT)

ITEM No.	IMPEDANCE		REPLACEMENT DATA					NOTES
			TRUETONE PART No.	MERIT PART No.	STANCOR PART No.	THORDARSON PART No.	TRIAD PART No.	
	PRI.	SEC.						
T2	800Ω CT	6-8Ω	3T2					

## SPEAKER

ITEM No.	TYPE	REPLACEMENT DATA		NOTES
		TRUETONE PART No.	QUAM PART No.	
SP1	2 1/4" PM 6-8Ω	S-1		

## BATTERIES

ITEM No.	VOLTAGE	TRUETONE PART No.	REPLACEMENT DATA			NOTES
			BURGESS	EVEREADY	MALLORY	
M1	9		2U6	216	M-1604	1 Used

## MISCELLANEOUS

ITEM No.	PART NAME	TRUETONE PART No.	NOTES
M2	Tuning Cap.	35.10.6	2 Gang. Part #34.12.24 used in Model DC3105B.

## CABINETS & CABINET PARTS

(When Ordering Specify Model, Chassis & Color)

ITEM	PART No.	ITEM	PART No.
Knob, Tuning	T-K*	Cabinet, Back	CHO*
Knob, Volume	RI-K*	Handle	II-1*
Cabinet, Complete	CPI*	Grill, Speaker	GH-2*
Cabinet, Front	CFO*		

\* Only green cabinet available. When ordering, match color of knobs, handle, grill and cabinet.