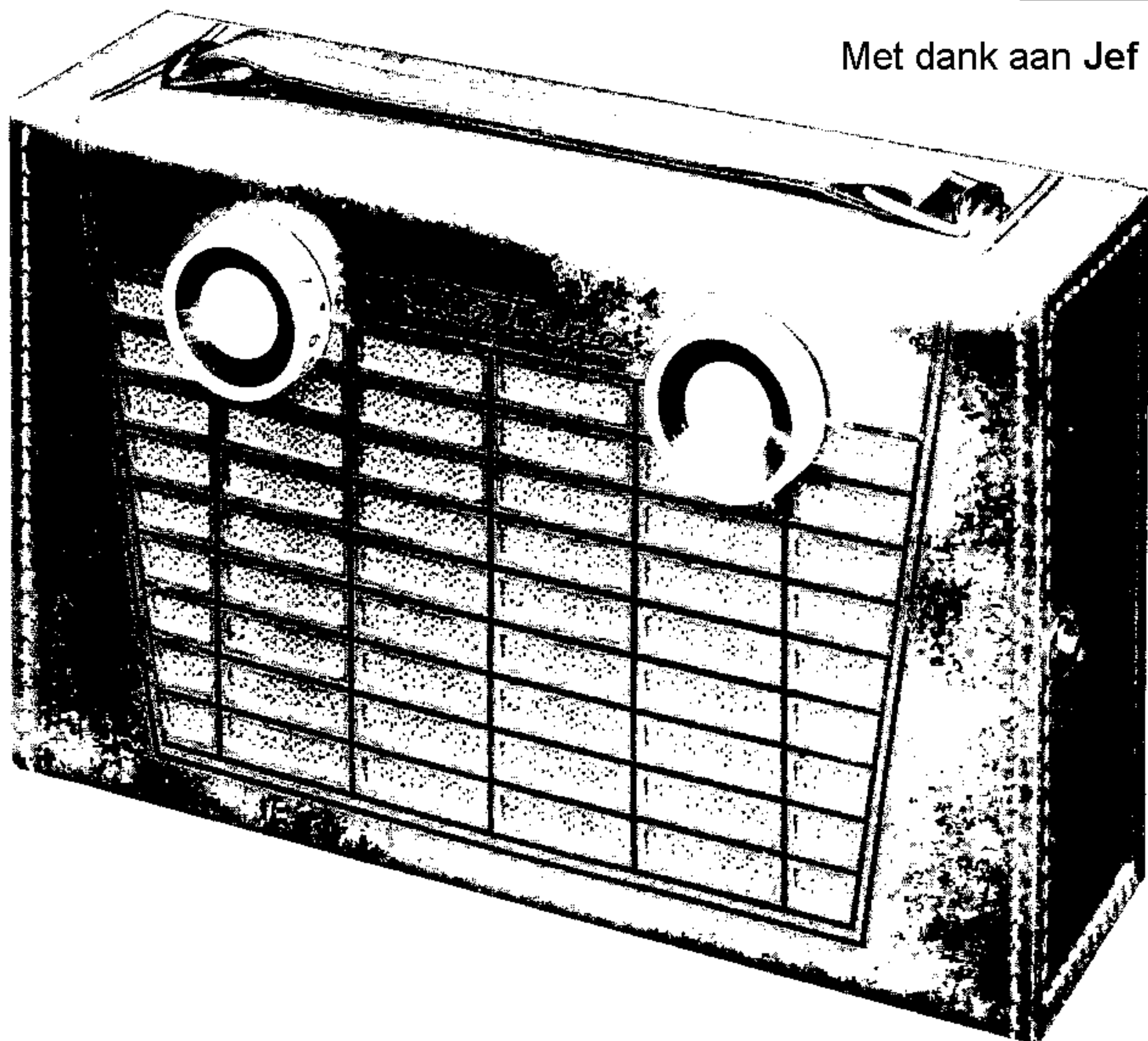


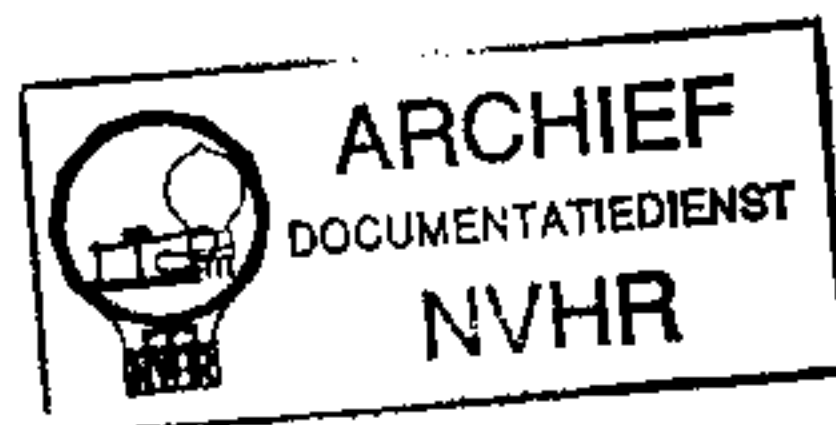


Met dank aan Jef Bos



TRADE NAME	Truetone Model D3716B	
SUPPLIER	Western Auto Supply Co., 2107 Grand Ave., Kansas City, Mo.	
TYPE SET	Battery Operated Portable AM Transistorized Receiver	
POWER SUPPLY	6 Volts DC	RATING 8MA @ 6 Volts DC
TUNING RANGE—BROADCAST	540-1620KC	

Ned. Ver. v. Historie v/d Radio



ALIGNMENT INSTRUCTIONS

ALIGNMENT INSTRUCTIONS—READ CAREFULLY BEFORE ATTEMPTING ALIGNMENT

Volume control should be at maximum position. Output of signal generator should be no higher than necessary to obtain an output reading. Use an insulated alignment screwdriver for adjusting.

DUMMY ANTENNA	SIGNAL GENERATOR COUPLING	SIGNAL GENERATOR FREQUENCY	RADIO DIAL SETTING	OUTPUT METER	ADJUST	REMARKS
1. .05mfd	Across loop stick secondary.	455KC (400v Mod)	Tuning gang fully open	Across voice coil	A1, A2	Adjust for maximum output.
2.	Loop	1620KC	"	"	A3	"
3.	"	535KC	Tuning gang fully closed	"	A4	"
4.	"	1400KC	1400KC	"	A5	"

HOWARD W. SAMS & CO., INC. • Indianapolis 5, Indiana

The listing of any available replacement part herein does not constitute in any case a recommendation, warranty or guaranty by Howard W. Sams & Co., Inc., as to the quality and suitability of such replacement part. The numbers of these parts have been compiled from information furnished to Howard W. Sams & Co., Inc., by the manufacturers of H379

the particular type of replacement part listed. Reproduction or use, without express permission, of editorial or pictorial content, in any manner, is prohibited. No patent liability is assumed with respect to the use of the information contained herein. © 1958 Howard W. Sams & Co., Inc., Indianapolis 5, Indiana. Printed in U.S. of America

PARTS LIST AND DESCRIPTIONS

TRANSISTORS

ITEM No.	ORIG. TYPE	USE	REPLACEMENT DATA				NOTES
			CBS PART No.	RCA PART No.	RAYTHEON PART No.	SYLVANIA PART No.	
X1	2N140	Converter		2N140	2N485		
X2	2N139	IF Amplifier		2N139	2N483		
X3	2N109	AVC-AF Amp.	2N180	2N109	2N362	2N35	
X4	2N109	Output	2N180	2N109	2N360	2N35	
X5	2N109	Output	2N180	2N109	2N360	2N35	

ELECTROLYTIC CAPACITORS

ITEM No.	RATING		REPLACEMENT DATA						NOTES
	CAP.	VOLT.	TRUETONE PART No.	AEROVOX PART No.	CORNELL-DUBILIER PART No.	MALLORY PART No.	PYRAMID PART No.	SANGAMO PART No.	
C1	100	6	045-200371	PWE8100	NL100-6	TT6X100	ML100-6		*R2582
C2	10	2	045-300438	XPP-3010	NL10-3	TT3X10	ML10-6		TE-1053
C3	3	2	045-300437	XPP-3003	NL3-6	TT6X2	ML4-6		TE-1082
C4	30	2	045-300436	XPP-3030	NL30-6	TT6X30	ML30-6		TE-1092

* Non-catalog item.

FIXED CAPACITORS

Capacity values given in the rating column are in mfd. for Paper Capacitors, and in mmfd. for Mica and Ceramic Capacitors.

ITEM No.	RATING		REPLACEMENT DATA							NOTES
	CAP.	VOLT.	TRUETONE PART No.	AEROVOX PART No.	CENTRALAB PART No.	CORNELL-DUBILIER PART No.	ERIE PART No.	MALLORY PART No.	SPRAGUE PART No.	
C5	10000		047-100354	BPD-01	DD-103	BYA6S1	ED-01	DC511	5HK-S1	NPO 5% NPO 5%
C6	10000		047-100354	BPD-01	DD-103	BYA6S1	ED-01	DC511	5HK-S1	
C7	5		475-101050-25	NPO-S1 5	TCZ-5		TCO-5			
C8	18		475-105180-15		TCZ-18		TCO-18			
C9	.047	400	477-022473	P488N-047	DF-503	CUB4S47		GEM-4147	4TM-S47	
C10	.047	200	477-022473	P288N-047	DF-503	CUB2S47		GEM-4147	2TM-S47	

CONTROLS

ITEM No.	RATING		REPLACEMENT DATA					INSTALLATION NOTES
	RESISTANCE	WATTS	TRUETONE PART No.	CENTRALAB PART No.	CLAROSTAT PART No.	IRC PART No.	MALLORY PART No.	
RIA	10K	$\frac{1}{2}$	025-201405	B-12	A47-10K-Z	Q13-116	U18	Volume
B	Shaft			Not Req.	KSS-3	Not Req.	Not Req.	
C	Switch			KB-1 *	SWE-12	76-1	US-26	

* Use KR-1 on red label control only.

RESISTORS

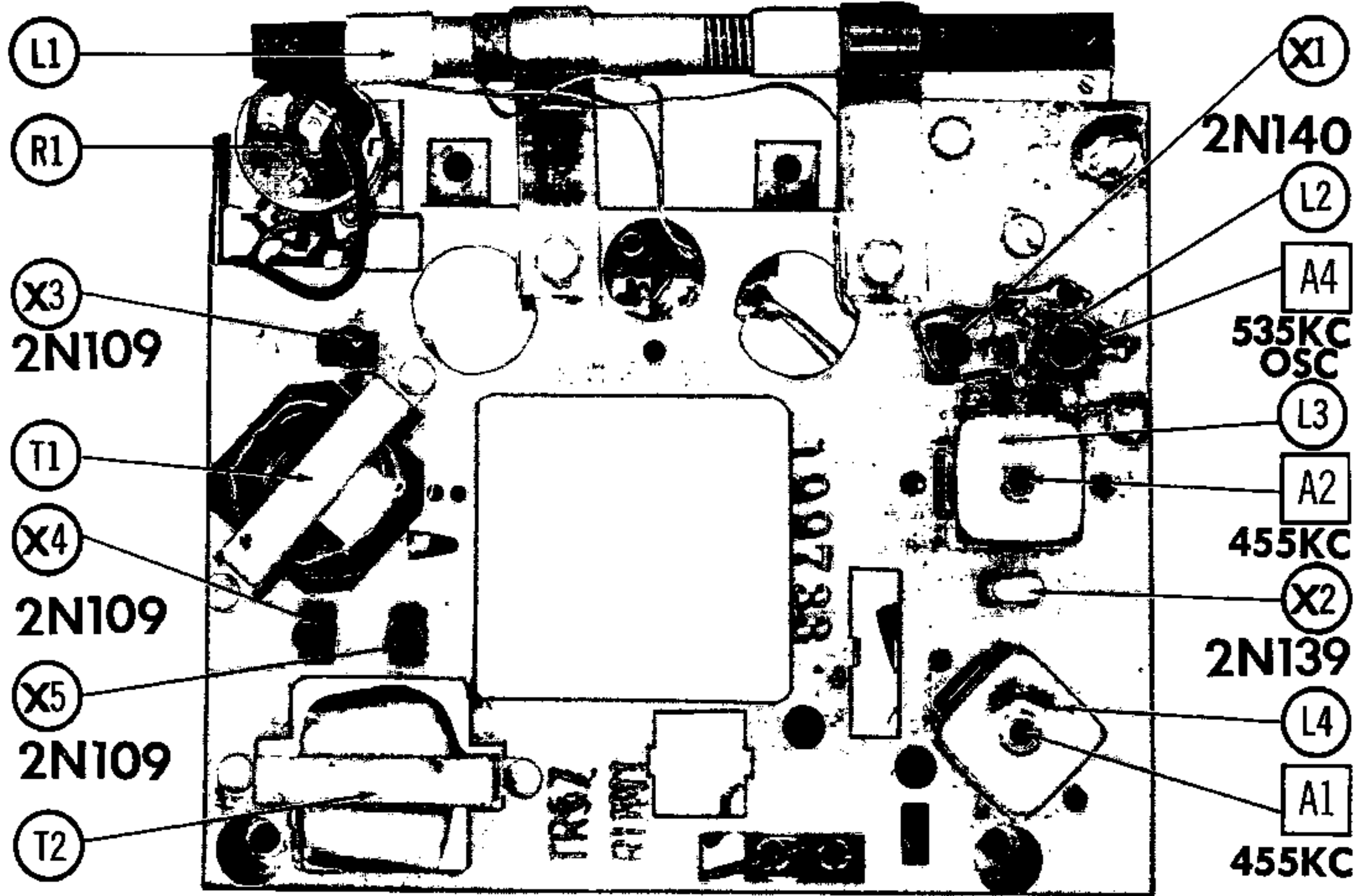
All wattages 1/2 watt, or less, unless otherwise listed.

ITEM No.	RATING		TRUETONE PART No.	NOTES	ITEM No.	RATING		TRUETONE PART No.	NOTES
	OHMS	WATT				OHMS	WATT		
R2	100K		451-252104		R8	12K		451-252123	
R3	15K		451-252153		R9	470 Ω		451-252471	
R4	5800 Ω 5%		451-252562		R10	2700 Ω		451-252272	
R5	470 Ω		451-252471		R11	82 Ω		451-252820	
R6	8200 Ω		451-252822		R12A	8.2 Ω		224-100008	
R7	68K		451-252683		B	8.2 Ω		224-100008	

TRANSFORMER (DRIVER)

ITEM No.	TURNS RATIO		REPLACEMENT DATA					NOTES	
	PRI.	SEC.	TRUETONE PART No.	Halldorson PART No.	Merit PART No.	Stancor PART No.	Thordarson PART No.		Triad PART No.
T1	2.7	1	55-324 ①				TR-66 ②		① Alternate part #050-300324 ② Use original channel mtg. frame and tape center tap on primary.

CHASSIS—TOP VIEW



L1

R1

X3

T1

X4

X5

T2

X1

L2

L3

X2

L4

A1

2N140

535KC
OSC

455KC

2N139

455KC

2N109

2N109

2N109

1R5Z
R11001

100738

PARTS LIST AND DESCRIPTIONS (Continued)

TRANSFORMER (AUDIO OUTPUT)

ITEM No.	IMPEDANCE		REPLACEMENT DATA						NOTES	
	PRI.	SEC.	TRUETONE PART No.	Hamderson PART No.	Merit PART No.	Ram PART No.	Stancor PART No.	Thordarson PART No.		Triad PART No.
T2	485Ω CT	16Ω	55-325 ①							① Alternate part #055-300325

SPEAKER

ITEM No.	TYPE			REPLACEMENT DATA		NOTES
	SIZE	FIELD	V. C. IMP.	TRUETONE PART No.	QUAM PART No.	
SP1	4"	PM	16Ω	285-200008	4A01Z16	

COILS (RF-IF)

ITEM No.	USE	REPLACEMENT DATA					NOTES
		TRUETONE PART No.	Meissner PART No.	Merit PART No.	MiMer PART No.	Ram PART No.	
L1	Loop Stick	257-300004	14-9013	BC-403			Alternate
L2	Osc. Coil	251-200010	14-9010				
L3	Input IF	250-300008					
L4	Output IF	250-300009					
	Output IF	050-300703					Alternate
		050-300704					

BATTERIES

ITEM No.	VOLTAGE	TRUETONE PART No.	REPLACEMENT DATA								NOTES
			BURGESS		EVEREADY		MALLORY		RAY-O-VAC		
			"A"	"B"	"A"	"B"	"A"	"B"	"A"	"B"	
M1	1.5V		2R		950		M-13		2LP		4 Required.

CRYSTAL DIODES

ITEM No.	ORIG. TYPE	REPLACEMENT DATA			NOTES
		TRUETONE PART No.	CBS PART No.	SYLVANIA PART No.	
M2	1N60	019-201933	1N60	1N60	Detector (Pigtail)

MISCELLANEOUS

ITEM No.	PART NAME	TRUETONE PART No.	NOTES
M3	Tuning Cap.	248-300002	2 Gang (Ant. 12-160mmf, Osc. 12-95mmf)

CABINETS & CABINET PARTS

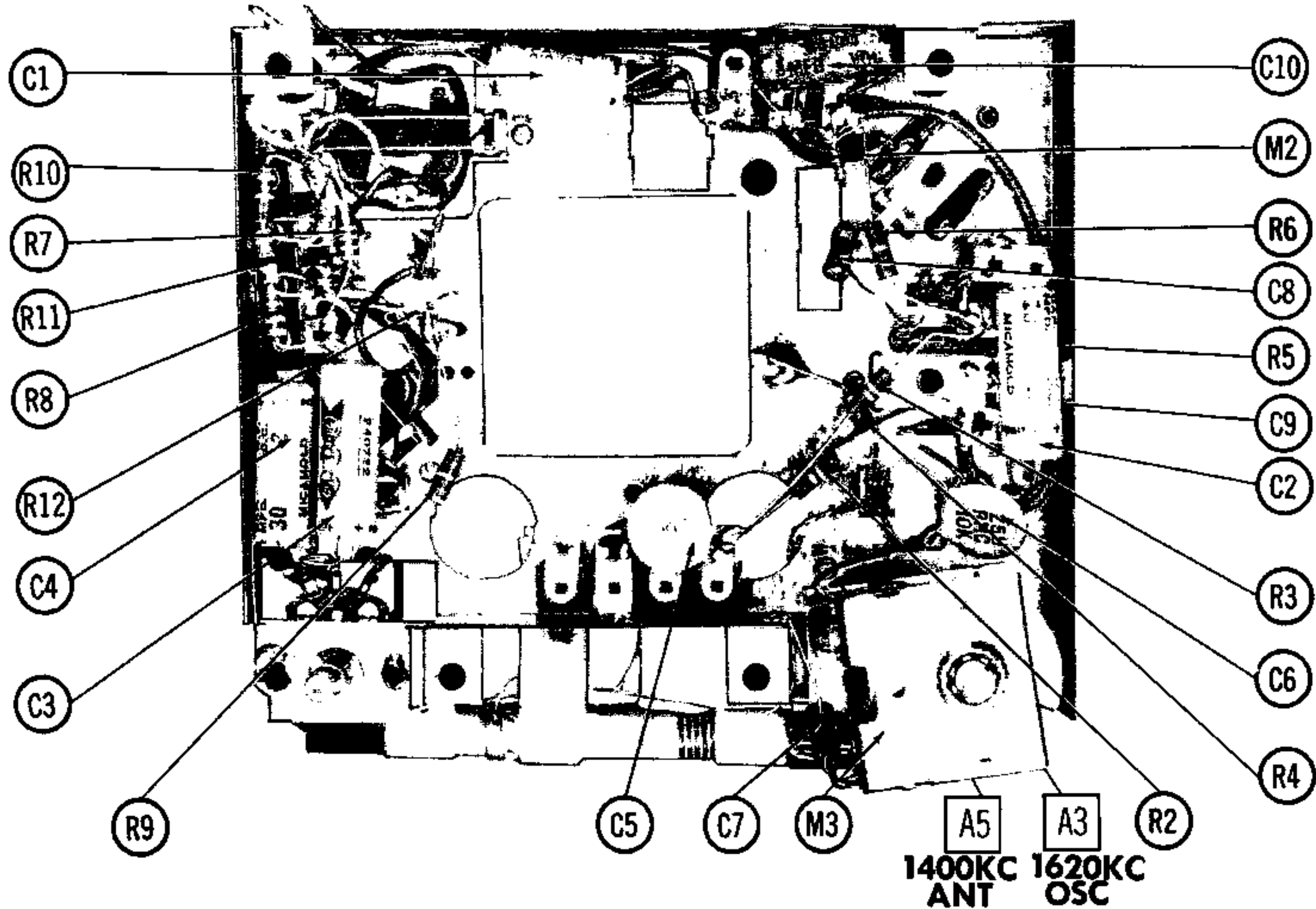
(When Ordering Cabinets & Cabinet Parts, Specify Model, Chassis & Color)

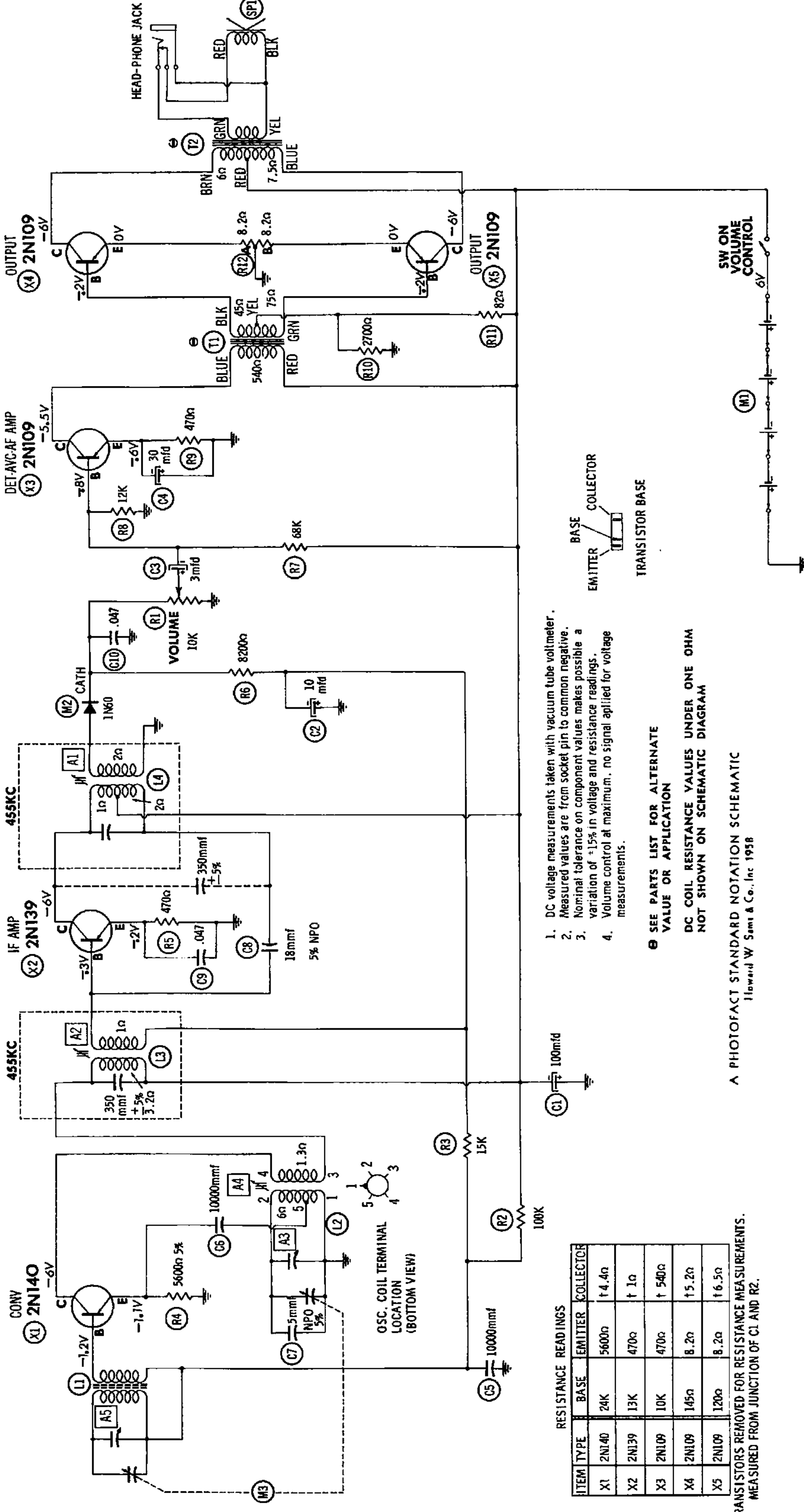
NAME	PART NO.	DESCRIPTION
Knob	215-300060	Tuning On-Off-Volume
Knob	015-301019	
Cabinet	278-100027	

WIRING DATA

General-use Unshielded Hook-up Wire Use BELDEN No. 8530 (Solid) Available in Ten Colors
8524 (Stranded) Available in Ten Colors

CHASSIS—BOTTOM VIEW





RESISTANCE READINGS

ITEM	TYPE	BASE	EMITTER	COLLECTOR
X1	2N140	24K	5600Ω	† 4.4Ω
X2	2N139	13K	470Ω	† 1Ω
X3	2N109	10K	470Ω	† 540Ω
X4	2N109	145Ω	8.2Ω	† 5.2Ω
X5	2N109	120Ω	8.2Ω	† 6.5Ω

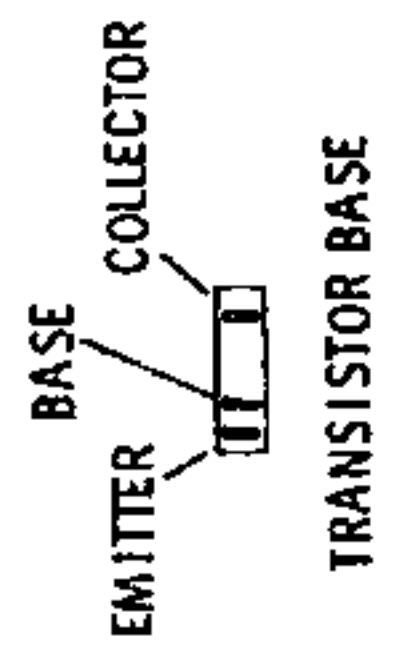
TRANSISTORS REMOVED FOR RESISTANCE MEASUREMENTS.
 † MEASURED FROM JUNCTION OF C1 AND R2.

1. DC voltage measurements taken with vacuum tube voltmeter.
2. Measured values are from socket pin to common negative.
3. Nominal tolerance on component values makes possible a variation of ±15% in voltage and resistance readings.
4. Volume control at maximum, no signal applied for voltage measurements.

SEE PARTS LIST FOR ALTERNATE VALUE OR APPLICATION

DC COIL RESISTANCE VALUES UNDER ONE OHM NOT SHOWN ON SCHEMATIC DIAGRAM

A PHOTOFACT STANDARD NOTATION SCHEMATIC
 Howard W. Semi & Co., Inc. 1958



SW ON VOLUME CONTROL