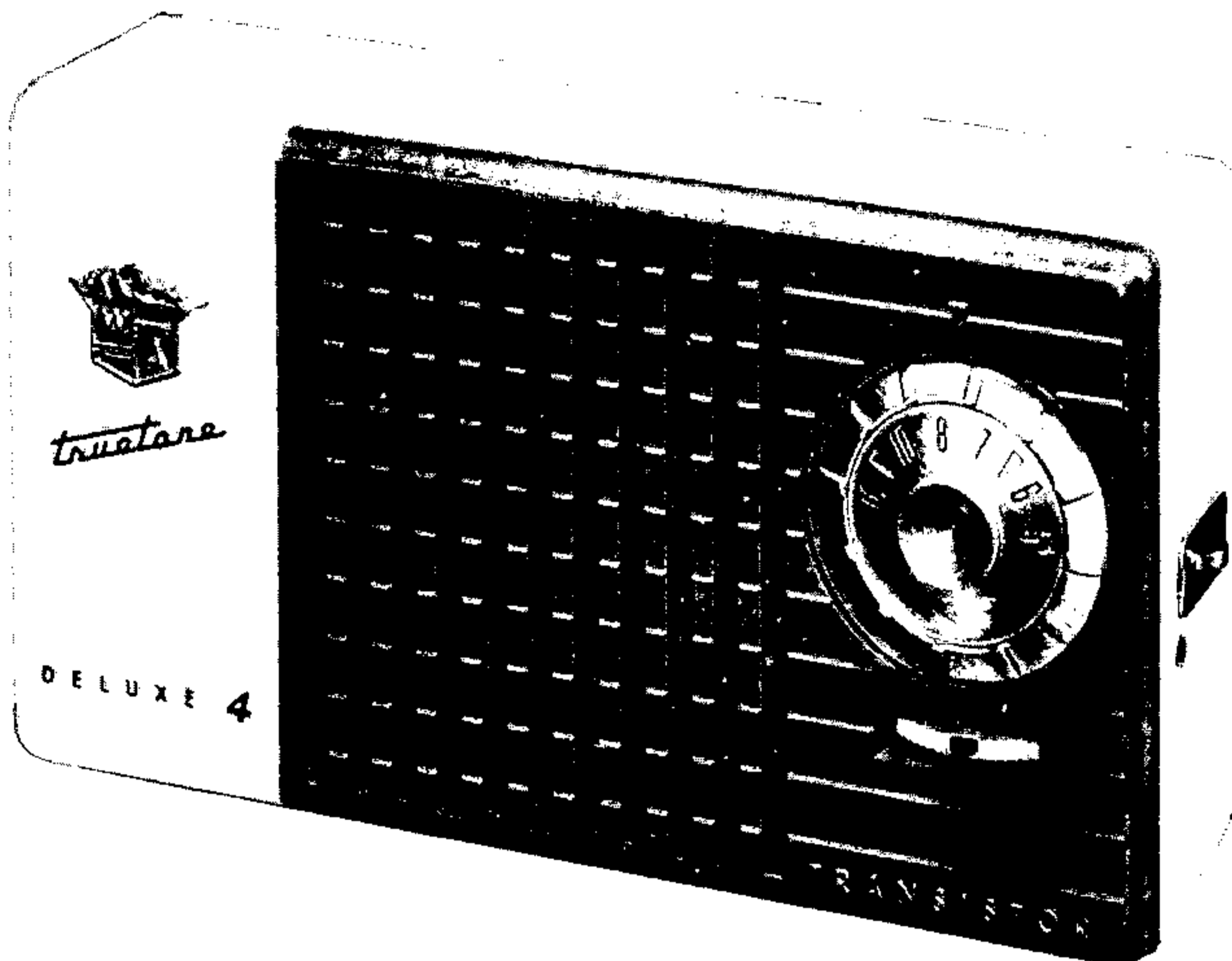


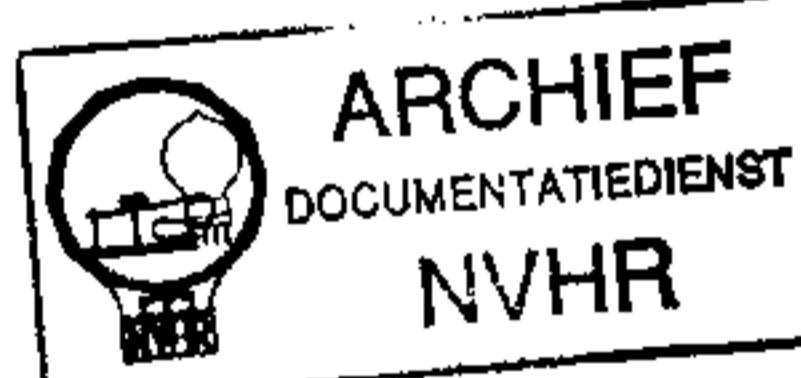


Met dank aan Jef Bos



Ned. Ver. v. Historie v

TRADE NAME Truetone Model D3614A
 SUPPLIER Western Auto Supply Co., 2107 Grand Ave., Kansas City, Mo.
 TYPE SET Battery Operated Portable Transistorized AM Receiver



POWER SUPPLY 9 Volt Battery
 TUNING RANGE—BROADCAST 535KC - 1620KC
 RATING 14MA @ 9 Volts DC

ALIGNMENT INSTRUCTIONS—READ CAREFULLY BEFORE ATTEMPTING ALIGNMENT

Volume control should be at maximum position. Output of signal generator should be no higher than necessary to obtain an output reading. Use an insulated alignment screwdriver for adjusting.

DUMMY ANTENNA	SIGNAL GENERATOR COUPLING	SIGNAL GENERATOR FREQUENCY	RADIO DIAL SETTING	OUTPUT METER	ADJUST	REMARKS
1. .5MFD	High side to base of CK-760 (X1). Low side to chassis.	455KC (400% Mod)	Tuning gang fully open.	Across voice coil.	A1, A2	Adjust for maximum output.
2. "	"	1620KC	"	"	A3	"
3. "	"	535KC	Tuning gang fully closed.	"	A4	"
4. "	"	1620KC	Tuning gang fully open.	"	A3	Retouch for maximum output.
5. "	Loop	1400KC	Tune to 1400KC signal.	"	A5	Adjust for maximum output while rocking tuning gang.

DISASSEMBLY INSTRUCTIONS

1. Remove battery.
2. Remove screw in center of tuning knob. Remove knob.
3. Remove screw behind tuning knob. Remove case cover.
4. Remove 3 screws holding chassis.
5. Carefully remove chassis from case.

HOWARD W. SAMS & CO., INC. • Indianapolis 5, Indiana

"The listing of any available replacement part herein does not constitute in any case a recommendation, warranty or guaranty by Howard W. Sams & Co., Inc., as to the quality and suitability of such replacement part. The numbers of these parts have been compiled from information furnished to Howard W. Sams & Co., Inc., by the manufacturers of the particular type of replacement part listed."
 "Reproduction or use, without express permission, of editorial or pictorial content, in any manner, is prohibited. No patent liability is assumed with respect to the use of the information contained herein. Copyright 1957 by Howard W. Sams & Co., Inc., Indianapolis 5, Indiana, U. S. of America. Copyright under international Copyright Union. All rights reserved under Inter-American Copyright Union (1910) by Howard W. Sams & Co., Inc." Printed in U. S. of America
 G635

tent, in any manner, is prohibited. No patent liability is assumed with respect to the use of the information contained herein. Copyright 1957 by Howard W. Sams & Co., Inc., Indianapolis 5, Indiana, U. S. of America. Copyright under international Copyright Union. All rights reserved under Inter-American Copyright Union (1910) by Howard W. Sams & Co., Inc." Printed in U. S. of America

PARTS LIST AND DESCRIPTIONS

TRANSISTORS

ITEM No.	USE	TYPE	NOTES
X1	Converter IF Amplifier	CK-760	Note 1
X2		CK-760	Note 1

ITEM No.	USE	TYPE	NOTES
X3	AF Amplifier Output	2N132	
X4		2N138	

Note 1. Type 2N112 may be used in some models.

ELECTROLYTIC CAPACITORS

ITEM No.	RATING		REPLACEMENT DATA						
	CAP.	VOLT.	TRUETONE PART No.	AEROVOX PART No.	CORNELL-DUBILIER PART No.	MALLORY PART No.	PYRAMID PART No.	SANGAMO PART No.	SPRAGUE PART No.
C1	50	10	8C-26454	XPP10V50	EC50-10				R2279*
C2	6	3	8C-26455	XPP3V6	EC6-3		ML-6-3		R2280*
C3	6	3	8C-26455	XPP3V6	EC6-3		ML-6-3		R2280*
C4	50	3	8C-26453	XPP3V50	XPP50-3		ML-50-3		TE-1100
C5	6	3	8C-26455	XPP3V6	EC6-3		ML-6-3		R2280*

*Non catalog item.

FIXED CAPACITORS

Capacity values given in the rating column are in mfd. for Paper Capacitors, and in mmfd. for Mica and Ceramic Capacitors.

ITEM No.	RATING		REPLACEMENT DATA						NOTES	
	CAP.	VOLT	TRUETONE PART No.	AEROVOX PART No.	CENTRALAB PART No.	CORNELL-DUBILIER PART No.	ERIE PART No.	MALLORY PART No.		SPRAGUE PART No.
C6	10000		8G-26457	BPD-01	DD-103	K082	ED-01	DC511	5HK-S1	Note 1
C7	10000		8G-26457	BPD-01	DD-103	K082	ED-01	DQ511	5HK-S1	
C8	350		8N1-274	1469-00035		5R5T35			MS-335	
C9	50000		8G-26459							
C10	50000		8G-26459							
C11	15		8G-26708							
C12	50000		8G-26459							
C13	10000		8G-26457	BPD-01	DD-103	K082	ED-01	DC511	5HK-S1	
C14	10000		8G-26457	BPD-01	DD-103	K082	ED-01	DC511	5HK-S1	

Note 1: Some versions may use 10MMF in this application. (Part #8L-26471).

CONTROLS

ITEM No.	RATING		REPLACEMENT DATA					INSTALLATION NOTES
	RESISTANCE	WATTS	TRUETONE PART No.	CENTRALAB PART No.	CLAROSTAT PART No.	IRC PART No.	MALLORY PART No.	
R1	10K	1/2	10A-26983					Volume & Switch

RESISTORS

All wattages 1/2 watt, or less, unless otherwise listed.

ITEM No.	RATING		REPLACEMENT DATA		NOTES	ITEM No.	RATING		REPLACEMENT DATA		NOTES
	OHMS	WATT	TRUETONE PART No.	IRC PART No.			OHMS	WATT	TRUETONE PART No.	IRC PART No.	
R2	33K		9B5-80	BTR-33K		R10	150K		9B5-88	BTR-150K	
R3	18K		9B5-77	BTR-18K		R11	5100Ω 5%		9B5-176	BTR-5100 5%	Note 1
R4	1000Ω		9B5-62	BTR-1000		R12	27K		9B5-79	BTR-27K	Note 2
R5	5100Ω 5%		9B5-176	BTS-5100 5%		R13	1000Ω		9B5-62	BTR-1000	
R6	1000Ω		9B5-62	BTR-1000		R14	4300Ω 5%		9B5-174	BTR-4300 5%	
R7	1000Ω		9B5-62	BTR-1000		R15	560Ω 5%		9B5-59	BTR-560 5%	
R8	1000Ω		9B5-62	BTR-1000		R16	82Ω			BTR-82	
R9	10K		9B5-74	BTR-10K		R17	470Ω		9B5-58	BTR-470	Note 3

Note 1: Early production models use 1000Ω in this application. (Part #9B5-62).

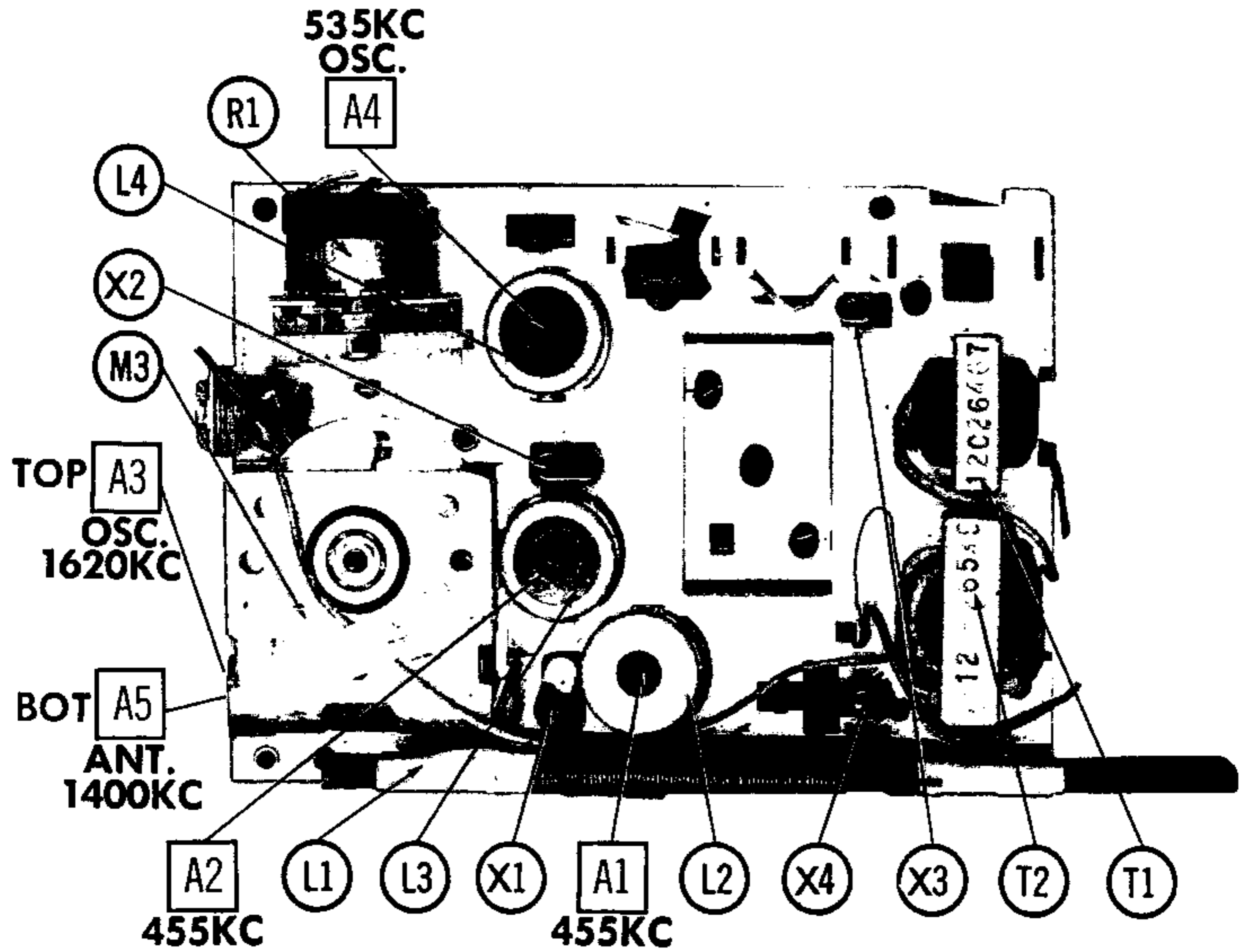
Note 2: Early production models use 6800Ω in this application. (Part #9B5-179).

Note 3: Early production models use 200Ω 5% in this application. (Part #9B1-142).

TRANSFORMER (INPUT)

ITEM No.	RESISTANCE		REPLACEMENT DATA					NOTES
	PRI.	SEC.	TRUETONE PART No.	Haldorson PART No.	Merit PART No.	Stancor PART No.	Thordarson PART No.	
T1	880Ω	120Ω	12M-26407				TR-13	
	Turns Ratio 4:1							

CHASSIS—TOP VIEW



PARTS LIST AND DESCRIPTIONS (Continued)

TRANSFORMER (AUDIO OUTPUT)

ITEM No.	IMPEDANCE		REPLACEMENT DATA					NOTES
	PRI.	SEC.	TRUETONE PART No.	Halldorson PART No.	Merit PART No.	Stancor PART No.	Thordarson PART No.	
T2	1900Ω	19Ω	12C-26539					

SPEAKER

ITEM No.	RATINGS			REPLACEMENT DATA			NOTES
	SIZE	FIELD	V. C. IMP.	TRUETONE PART No.	QUAM PART No.	RCA TYPE No.	
SP1	2 3/4"	PM	19Ω	18A-26389		222S1	

COILS (RF-IF)

ITEM No.	USE	DC RES.		REPLACEMENT DATA			NOTES
		PRI.	SEC.	TRUETONE PART No.	MEISSNER PART No.	MERIT PART No.	
L1	Loop Stick	. 1Ω	2. 2Ω	13E-26452			
L2	Osc. Coll	. 6Ω	4Ω*	13D-26379			*Tap @ . 3Ω
L3	1st IF Trans.	1. 3Ω■	. 5Ω	13A-26380			■ Tap @ . 5Ω
L4	2nd IF Trans.	1. 4Ω▲	1. 9Ω	13B-26382			▲ Tap @ . 5Ω

BATTERIES

ITEM No.	VOLTAGE	TRUETONE PART No.	REPLACEMENT DATA						INSTALLATION NOTES
			EVEREADY			BURGESS			
			"A"	"B"	"A-B"	"A"	"B"	"A-B"	
M1	9V	3B-8485		216			2U6		

CRYSTAL DIODE

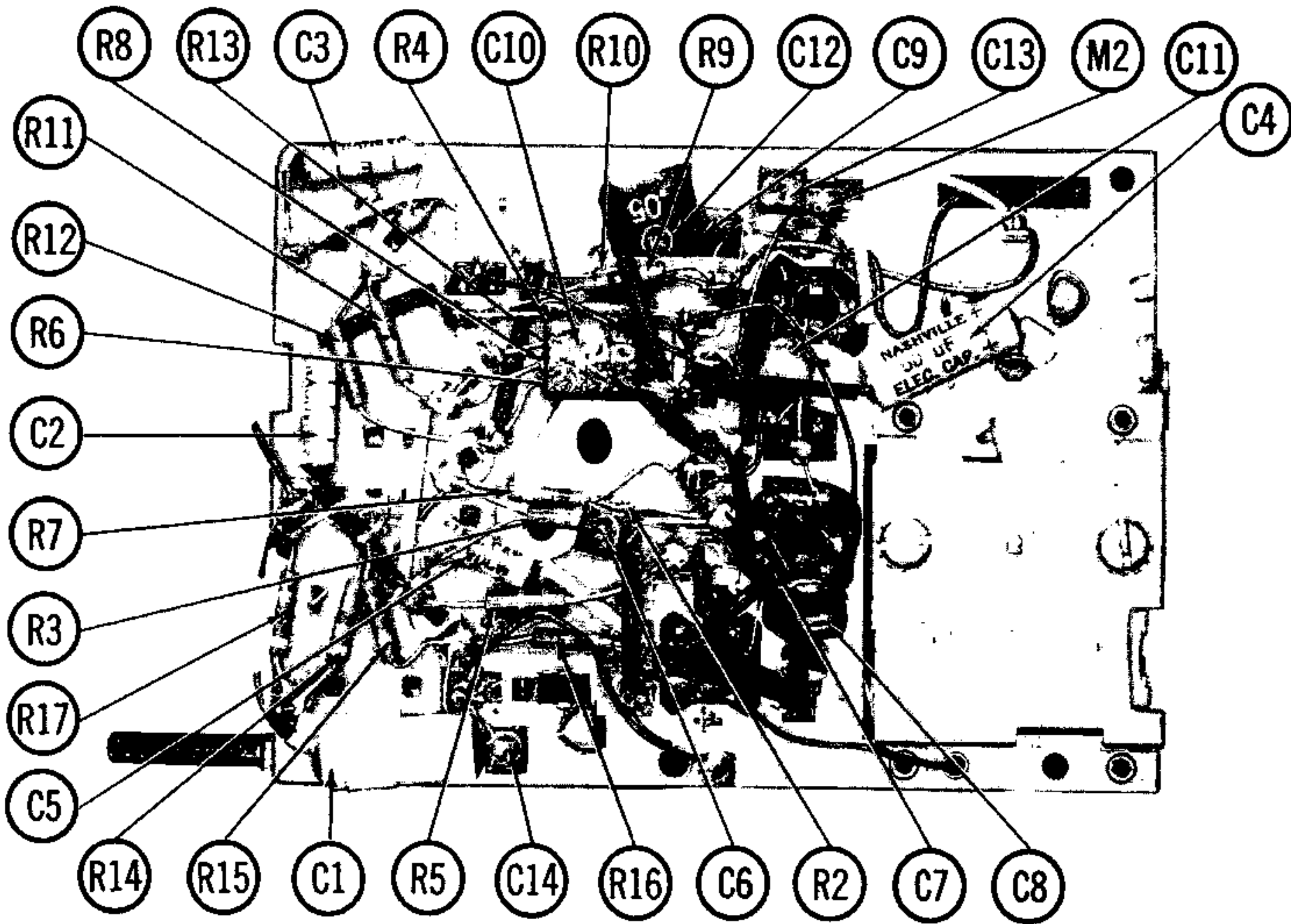
ITEM No.	ORIG. TYPE	REPLACEMENT DATA		NOTES
		TRUETONE PART No.	SYLVANIA PART No.	
M2	*1N295		1N60	Audio Det. (Pigtail)

*Some versions may use CK706A crystal diode in this application.

MISCELLANEOUS

ITEM No.	PART NAME	TRUETONE PART No.	NOTES
M3	Tuning Cap.	8A-26659	2 Gang (17-190MMF, 14-120MMF) - Note 1
	Case	5C-26567-A210	Pink
	Case Cover	5C-26486-A209	Grey
	Battery Cover Assy.	200-26449-A210	Pink
	Knob	3M-26400	Tuning
	Knob	5B-26356-A210	On-Off-Volume (Pink)
	Knob	4B-26782	On-Off-Volume

CHASSIS—BOTTOM VIEW



R8

R13

C3

R4

C10

R10

R9

C12

C9

C13

M2

C11

C4

R11

R12

R6

C2

R7

R3

R17

C5

R14

R15

C1

R5

C14

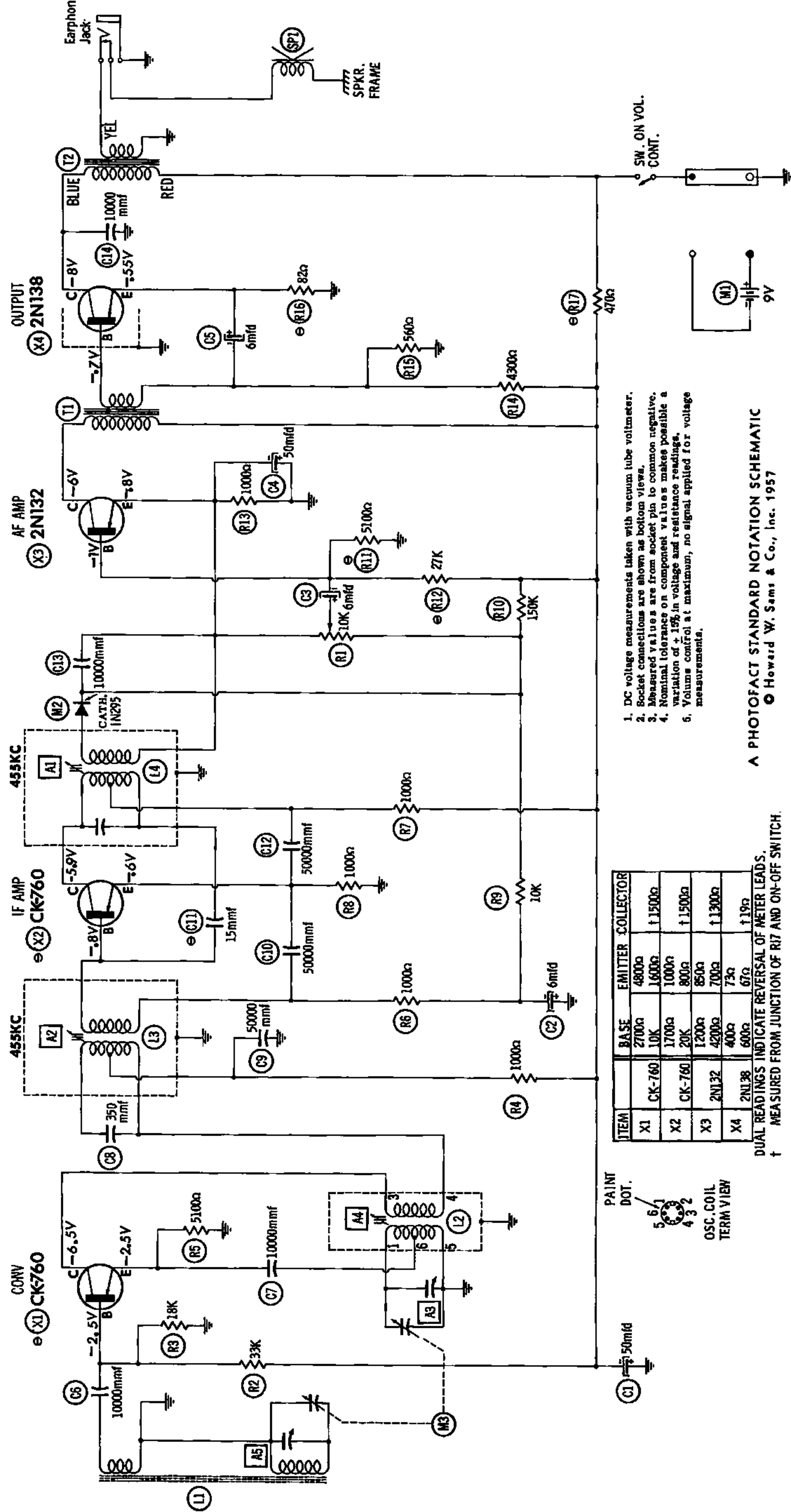
R16

C6

R2

C7

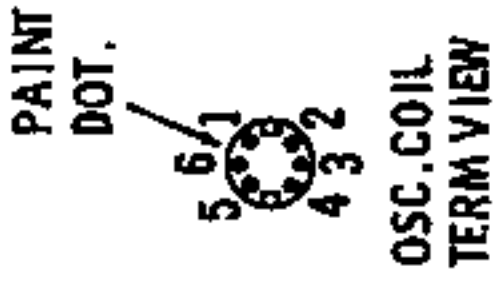
C8



1. DC voltage measurements taken with vacuum tube voltmeter.
2. Socket connections are shown as bottom views.
3. Measured values are from socket pin to common negative.
4. Nominal tolerance on component values makes possible a variation of + 15% in voltage and resistance readings.
5. Volume control at maximum, no signal applied for voltage measurements.

ITEM	BASE	EMITTER	COLLECTOR
X1	2700Ω	4800Ω	1500Ω
X2	CK-760	1600Ω	11500Ω
X3	CK-760	1000Ω	11500Ω
X4	2N132	850Ω	11300Ω
	2N138	700Ω	11300Ω
		400Ω	75Ω
		600Ω	67Ω
			119Ω

DUAL READINGS INDICATE REVERSAL OF METER LEADS.
 † MEASURED FROM JUNCTION OF R17 AND ON-OFF SWITCH.



A PHOTOFAC STANDARD NOTATION SCHEMATIC

© Howard W. Sams & Co., Inc. 1957

⊙ SEE PARTS LIST FOR ALTERNATE VALUE OR APPLICATION