

TRIO ER-202, also sold as Lafayette HE-80. The HE-80 version included 6m instead of 2m. Mfg 1963-64

Zie documentatie Lafayette HE80

SPECIFICATIONS

Frequency Range

540 — 1605 kc
 1.6 — 4.8 Mc
 4.8 — 14.5 Mc
 10.5 — 30 Mc
 142 — 148 Mc

Band Spread

(Direct reading calibration on Ham. Bands)

3.5 Mc	3.5 — 4.0 Mc
7 Mc	7.0 — 7.35 Mc
14 Mc	14.0 — 14.4 Mc
21 Mc	21.0 — 21.5 Mc
28 Mc	28.0 — 30 Mc

(Markings every 5 kc on 80 and 40 meter bands)

Sensitivity

3.0 microvolts for 10 db S/N ratio at 10 Mc

Selectivity

Without Q Multiplier: over 65 db at 10 kc
 With Q Multiplier: Variable from -74 db to -95 db at ± 10 kc.

Output

1.5 watts

Power Source

220 volt, 50 to 60 cps AC

Power Consumption

65 watts

Tubes

6AQ8 ✓ VHF amplifier
 6AU6 ✓ VHF Mixer
 6AQ8 ✓ VHF Oscillator
 6BA6 ✓ RF Amplifier
 6BE6 ✓ Mixer
 6AQ8 × Local Oscillator
 6BA6 (× 2) IF Amplifier
 6AL5, AM detector, Automatic Noise Limiter
 6BE6 ✓ Product Detector
 Gated Beam Detector
 6AQ8 ✓ Audio Amplifier, BFO
 6AQ5 ✓ Audio output
 6AQ8 ✓ Q Multiplier, Marker Oscillator
 6CA4 ✓ Rectifier
 OA2/VR-150MT — Voltage Regulator tube
 1N60 —

Speaker

PM dynamic, 8 ohm voice coil, without output transformer

Dimensions

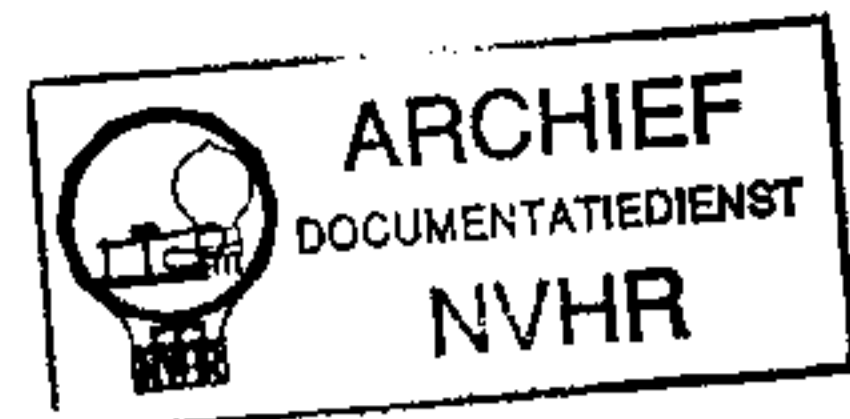
Width 17", Height 7 $\frac{5}{8}$ ", Depth 10 $\frac{1}{8}$ "
 (inches)

Weight

23.5 lbs.

Auxiliary Circuits

Band Spread Tuning
 Q Multiplier for Variable Selectivity
 ANL Automatic Noise Limiter
 AVC-MVC (Automatic and Manual Volume Control)
 Product Detector (for SSB — CW)
 Gated Beam Detector (for FM)
 Marker Oscillator
 S-Meter
 BFO
 Recording tap circuit terminals
 Phone Jack Plug

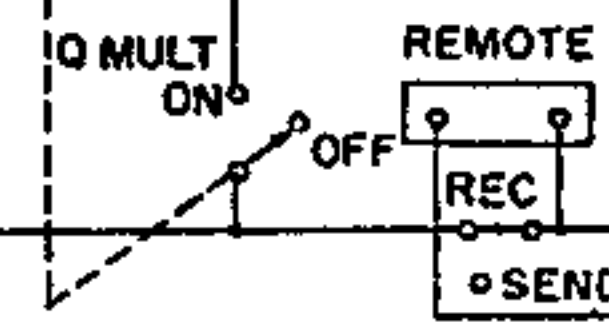
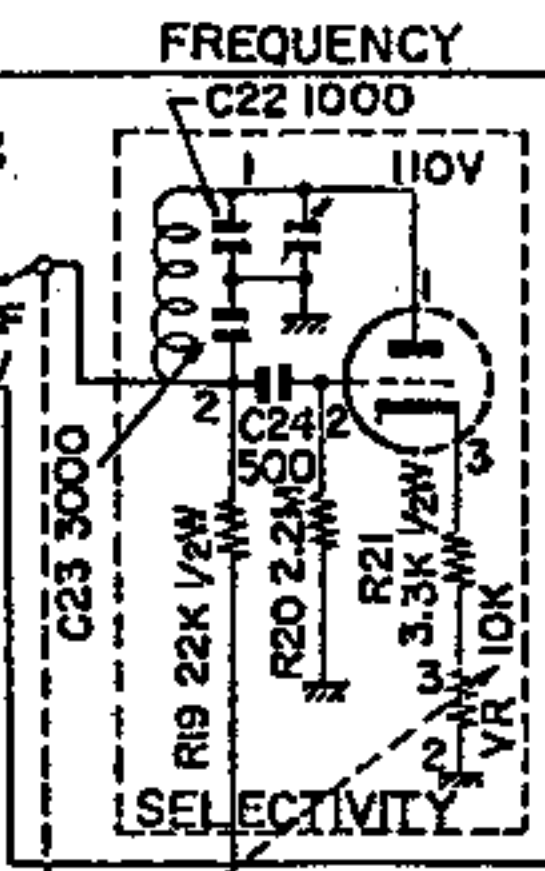
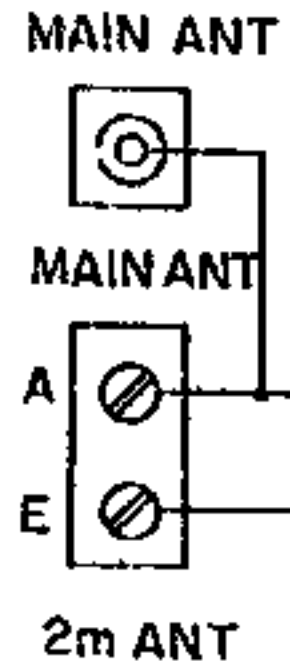
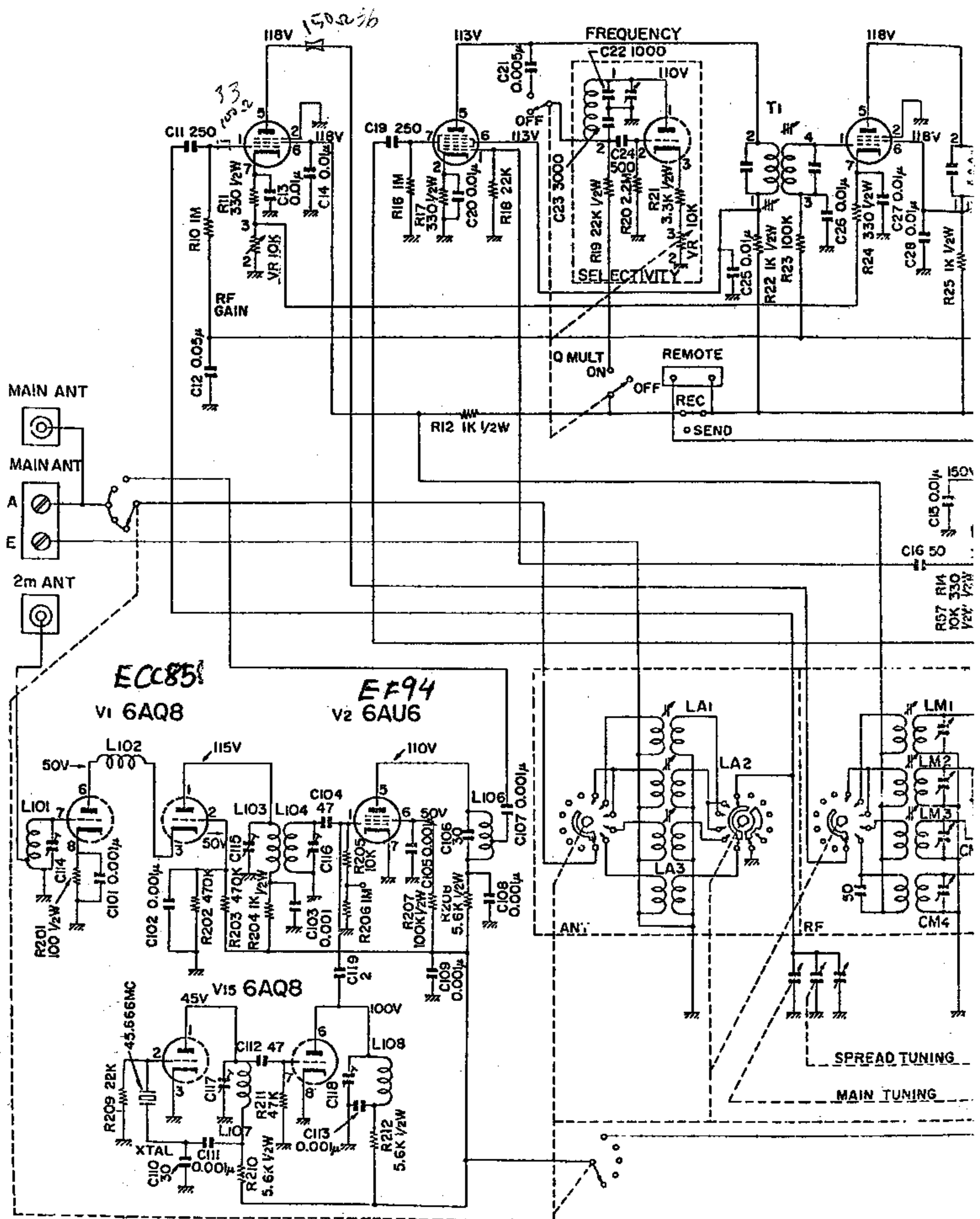


V3 6BA6

V4 6BE6

V6a 6AQ8 1/2

V7 6BA6



ECC85
V1 6AQ8

EF94
V2 6AU6

SPREAD TUNING

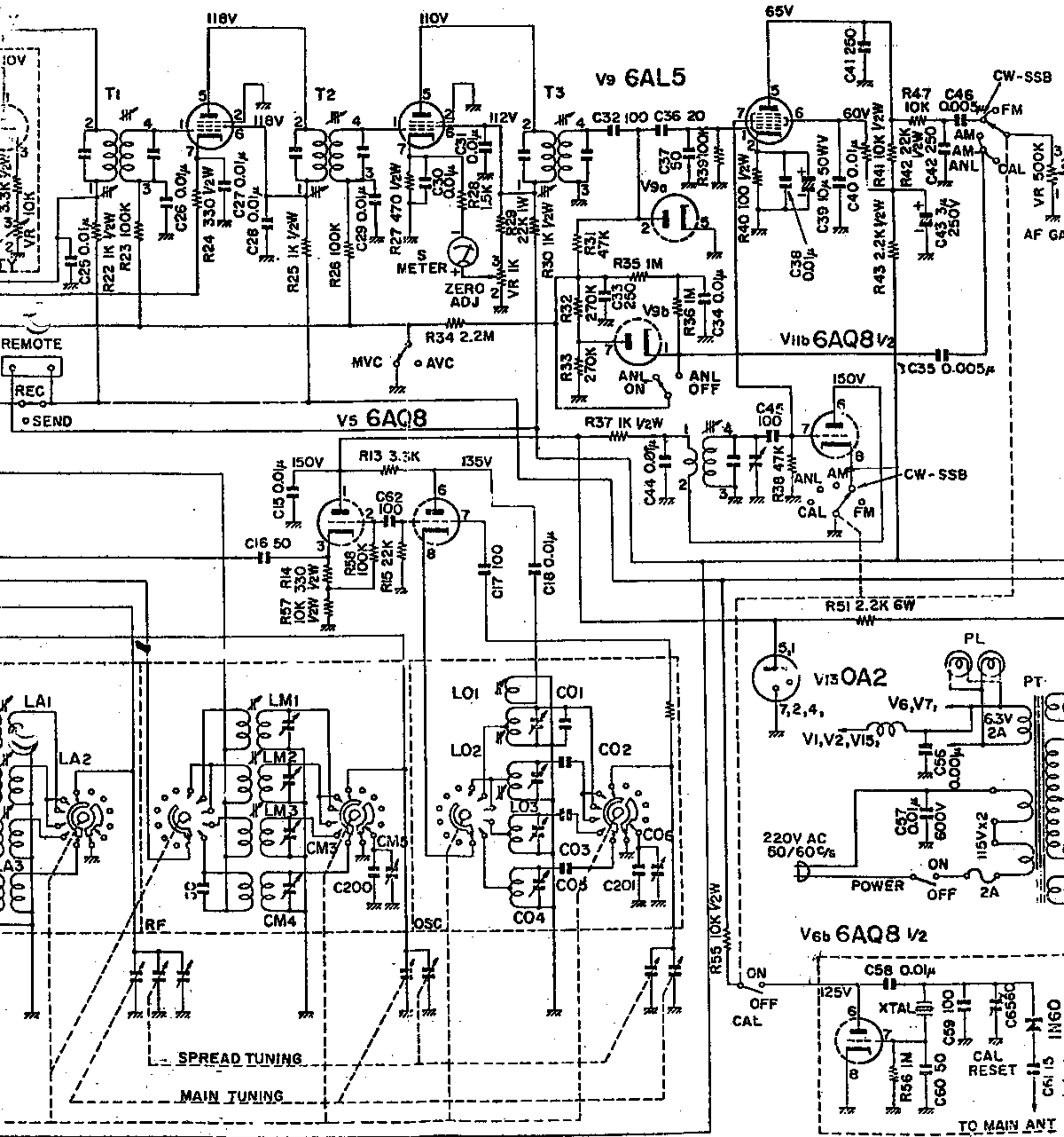
MAIN TUNING

V8 1/2

V7 6BA6

V8 6BA6

V10 6BE6



V

V10 6BE6

V11a 6AQ8 V2

V12 6AQ5

