

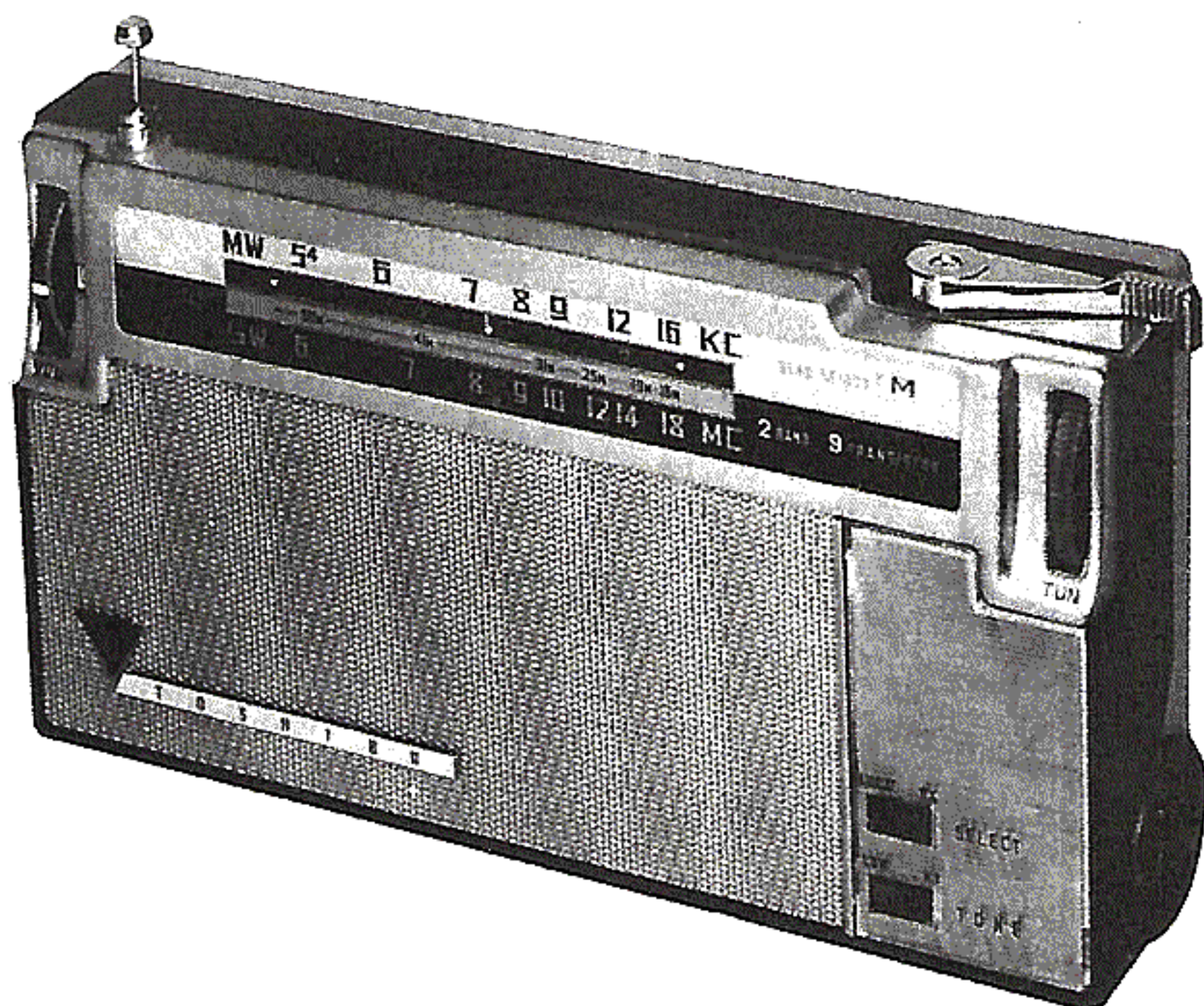
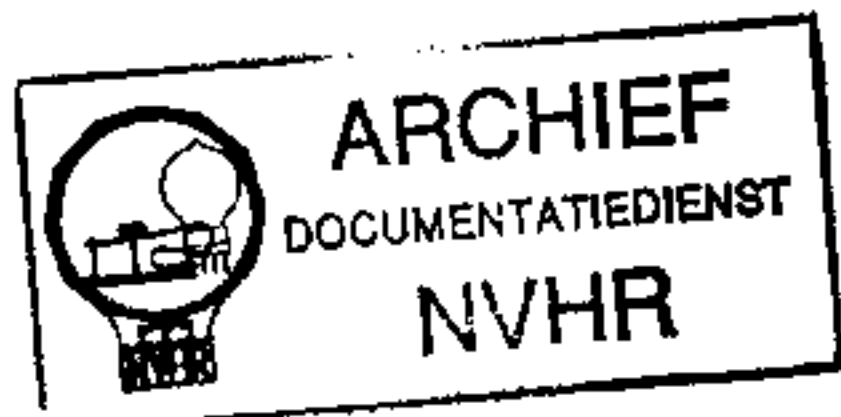
PHOTOFACT® Folder

with CIRCUITRACE®

TOSHIBA MODEL
9TL-365S

Ned. Ver. v. Historie v/d Radio

Met dank aan Jef Bos



TRADE NAME	Toshiba Model 9TL-365S		
IMPORTER	Transistor World Corp., 52 Broadway, New York 4, N. Y.		
TYPE SET	Battery Operated Transistorized Portable BC-SW Receiver		
POWER SUPPLY	6 Volts DC	RATING	15MA@6 Volts DC (No Signal, Min. Volume) 25MA@6 Volts DC (Signal, Normal Volume)
TUNING RANGE—BROADCAST	540 — 1600KC	SHORT WAVE	6 — 18MC

ALIGNMENT INSTRUCTIONS

ALIGNMENT INSTRUCTIONS—READ CAREFULLY BEFORE ATTEMPTING ALIGNMENT

Volume control should be at maximum position. Output of signal generator should be no higher than necessary to obtain an output reading.

Suggested Alignment Tools:

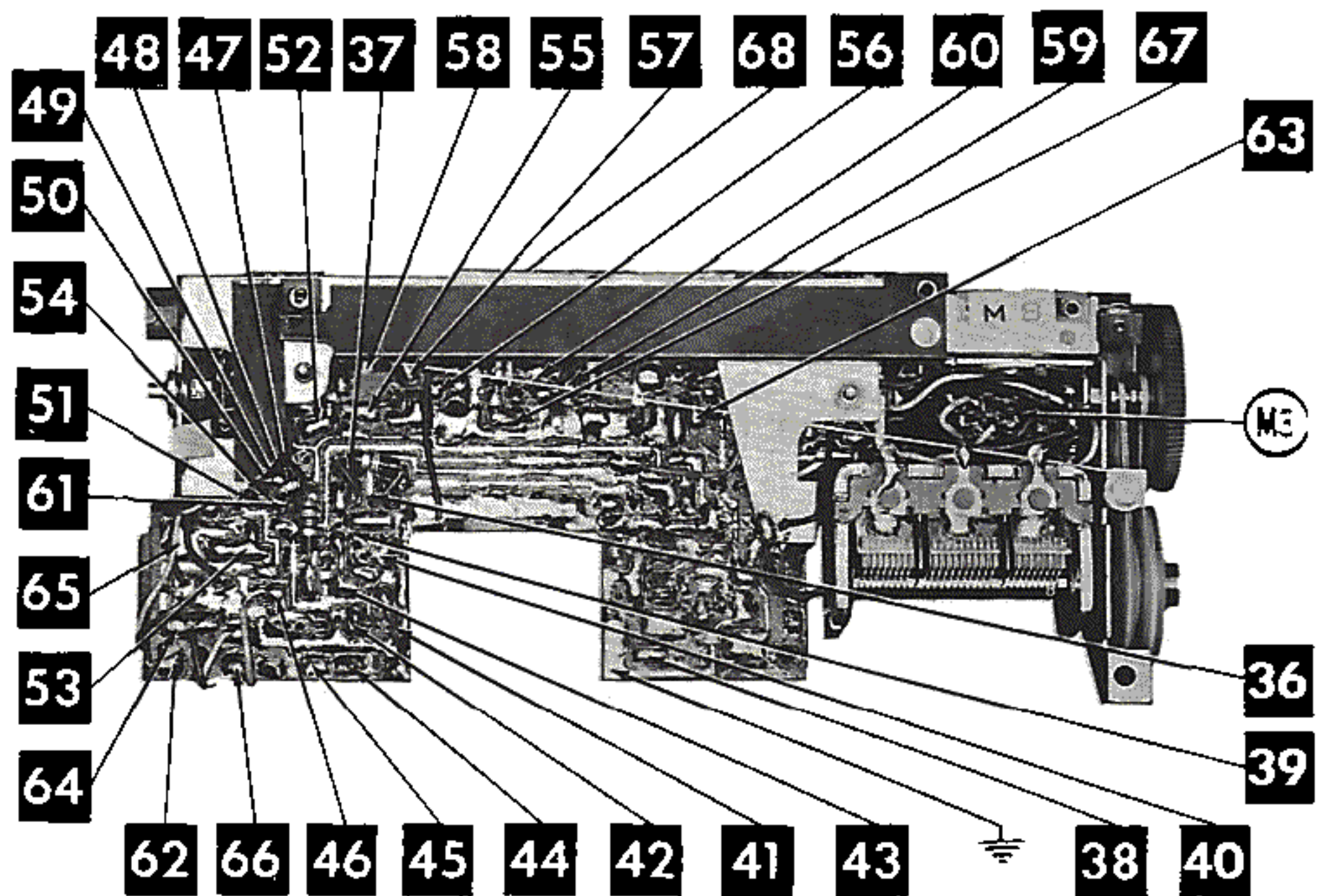
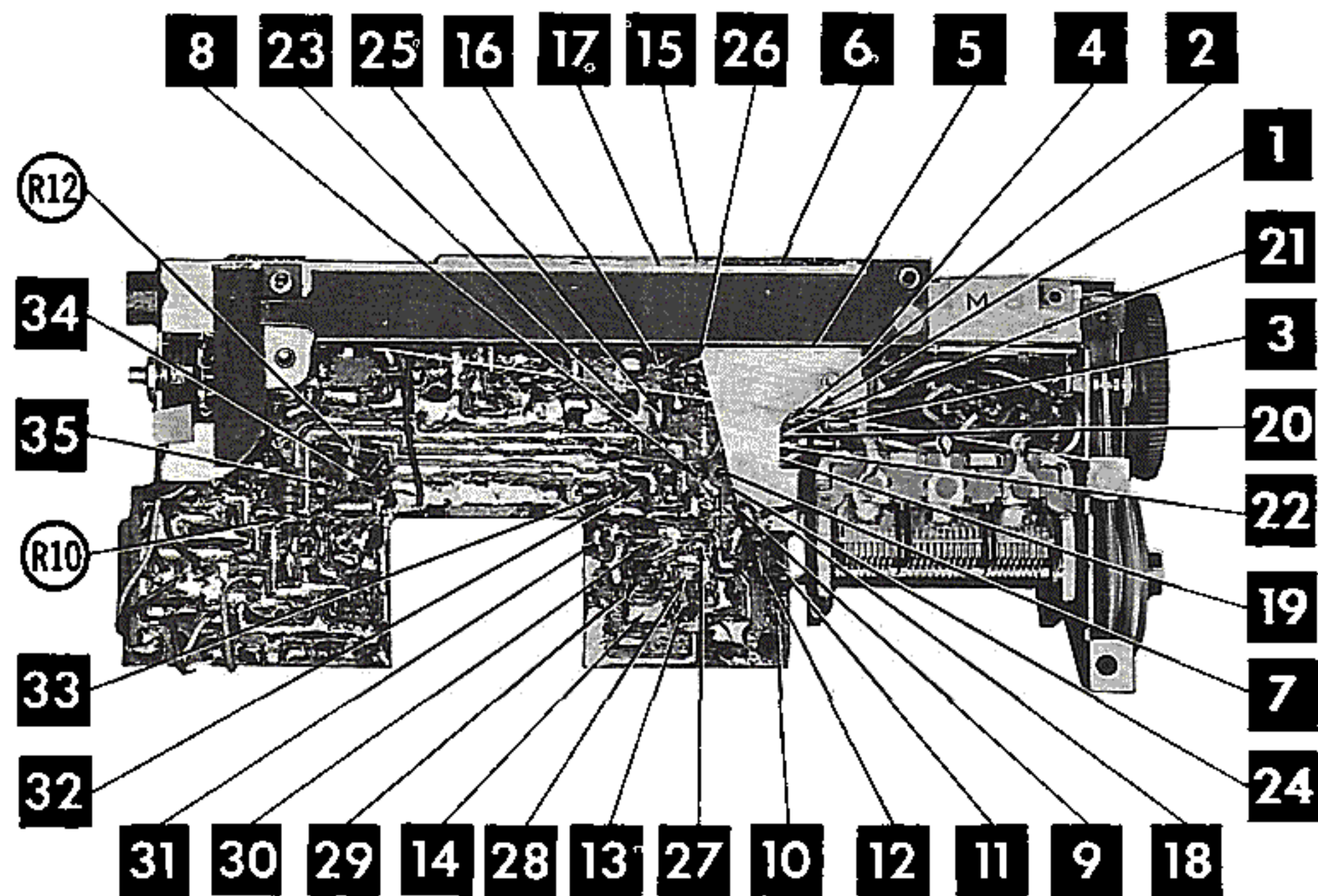
A1, A2, A3, A4, A6, A7, A12... GENERAL CEMENT #5004, 5009, 8195, 8274, 8275, 8607, 8728, 8987, 8988, 8989, 9291
WALSCO #2515, 2520, 2522, 2523, 2531, 2532, 2534, 2537, 2538
A5, A8, A9, A10, A13, A14... GENERAL CEMENT #5000, 5003, 5066, 8276, 8290, 9087, 9089
WALSCO #2512, 2525, 2528

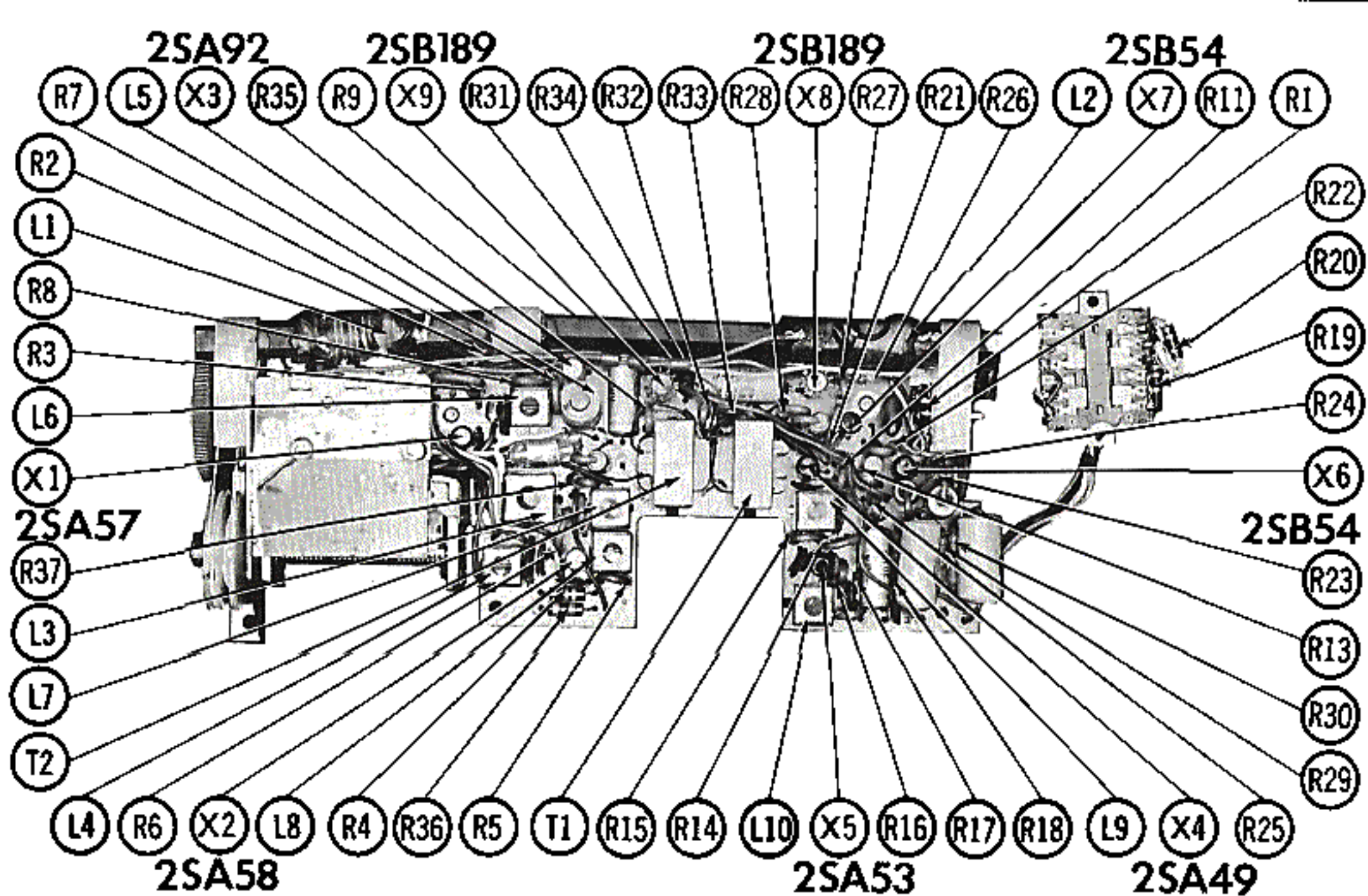
	SIGNAL GENERATOR COUPLING	SIGNAL GENERATOR FREQUENCY	RADIO DIAL SETTING	OUTPUT METER	ADJUST	REMARKS
1.	Fashion loop of several turns of wire and radiate signal into loop of receiver.	455KC (400% Mod.)	(MW) Tuning gang fully open.	Across voice coil.	A1, A2, A3, A4	Adjust for maximum output.
2.	"	1600KC	1600KC	"	A5	"
3.	"	600KC	600KC	"	A6, A7	"
4.	"	1400KC	1400KC Signal.	"	A8, A9	Adjust for maximum output. Repeat steps 2, 3 and 4.
5.	"	18MC	(SW) 18MC	"	A10	Adjust for maximum output.
6.	"	6MC	6MC	"	A11, A12	"
7.	"	14MC	14MC	"	A13, A14	Adjust for maximum output. Repeat steps 5, 6 and 7.

HOWARD W. SAMS & CO., INC. Indianapolis 6, Indiana

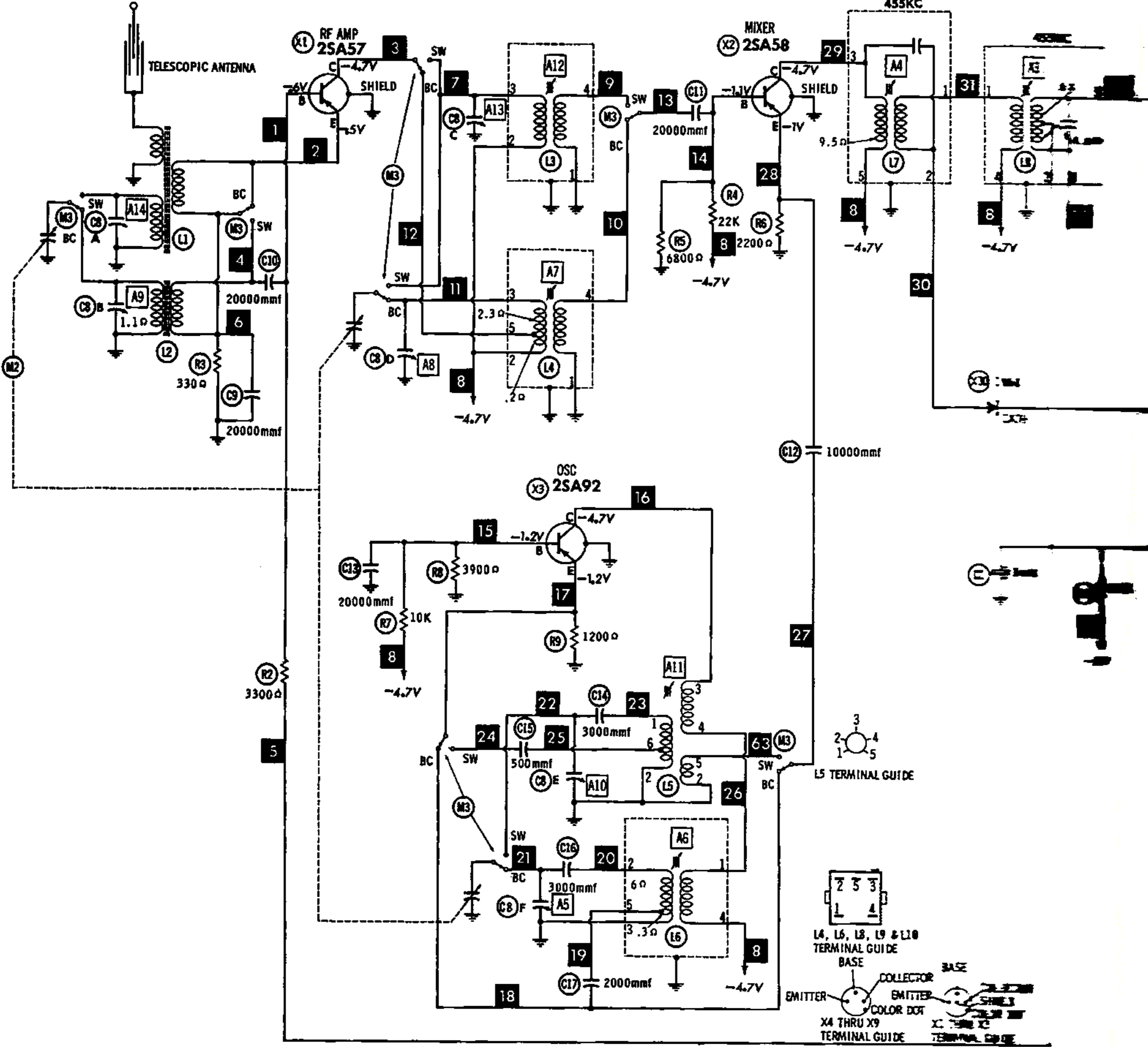
The listing of any available replacement part herein does not constitute in any case a recommendation, warranty or guaranty by Howard W. Sams & Co., Inc., as to the quality and suitability of such replacement part. The numbers of these parts have been compiled from information furnished to Howard W. Sams & Co., Inc., by the manufacturers of KF552

the particular type of replacement part listed. Reproduction or use, without express permission, of editorial or pictorial content, in any manner, is prohibited. No patent liability is assumed with respect to the use of the information contained herein. ©1962 Howard W. Sams & Co., Inc., Indianapolis 6, Indiana. Printed in U.S. of America





CHASSIS TOP VIEW - RESISTOR, INDUCTOR & TRANSISTOR IDENT.



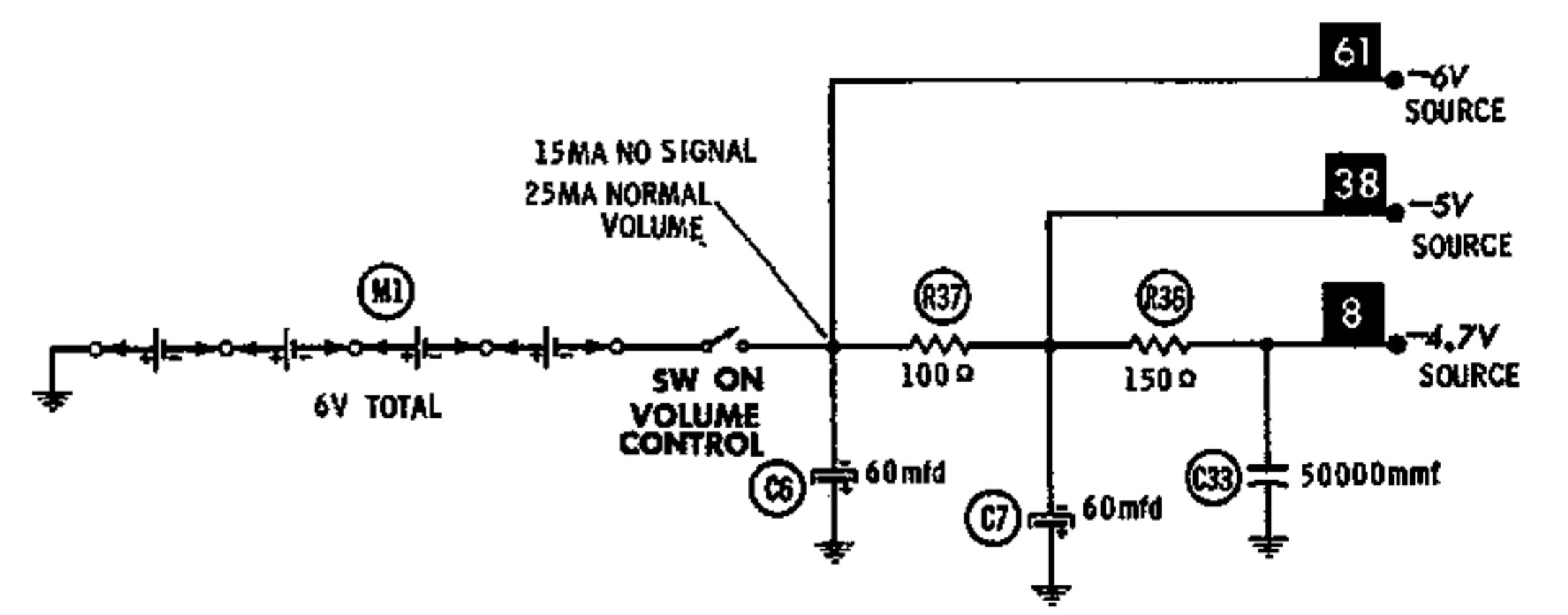
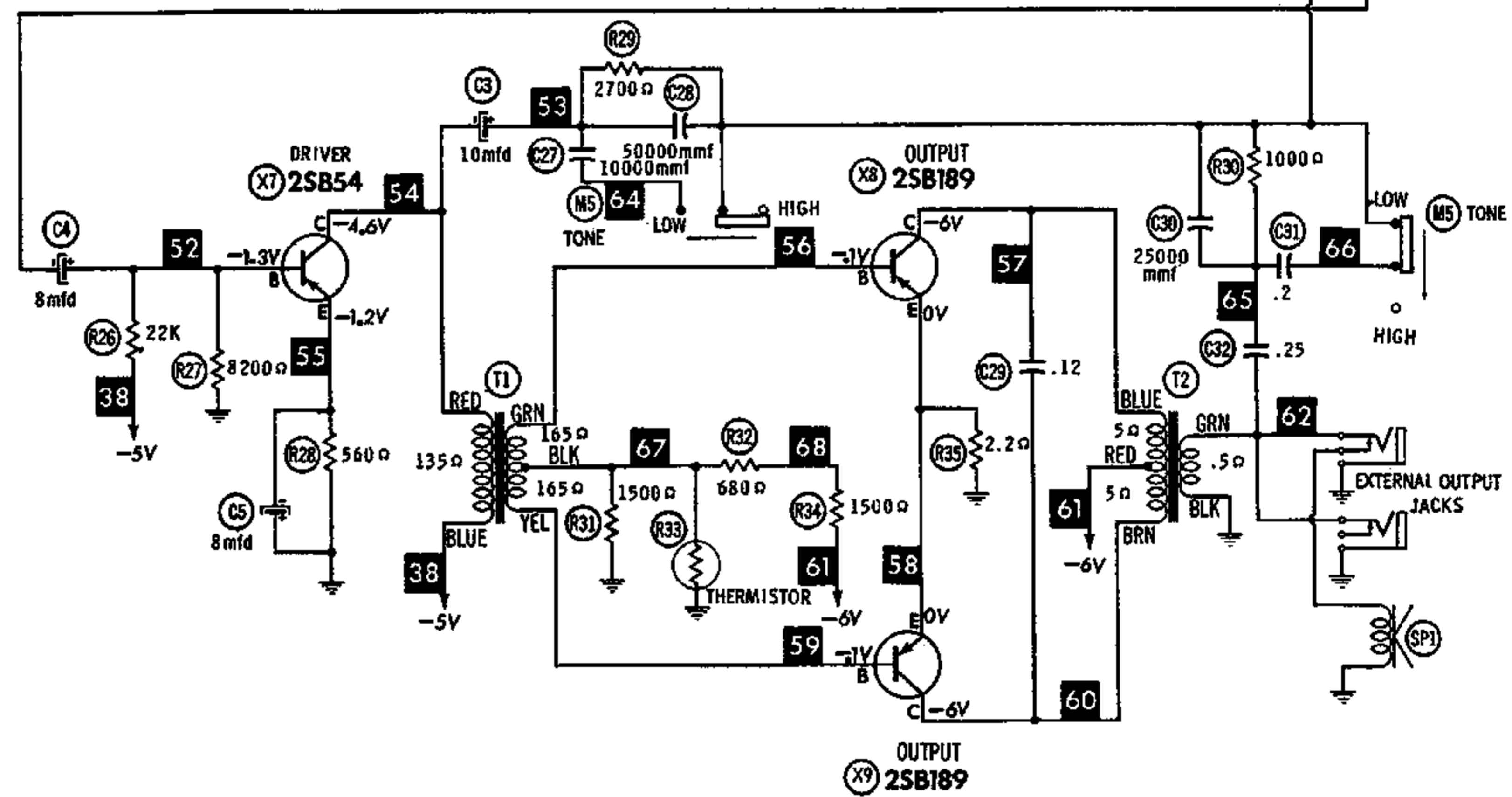
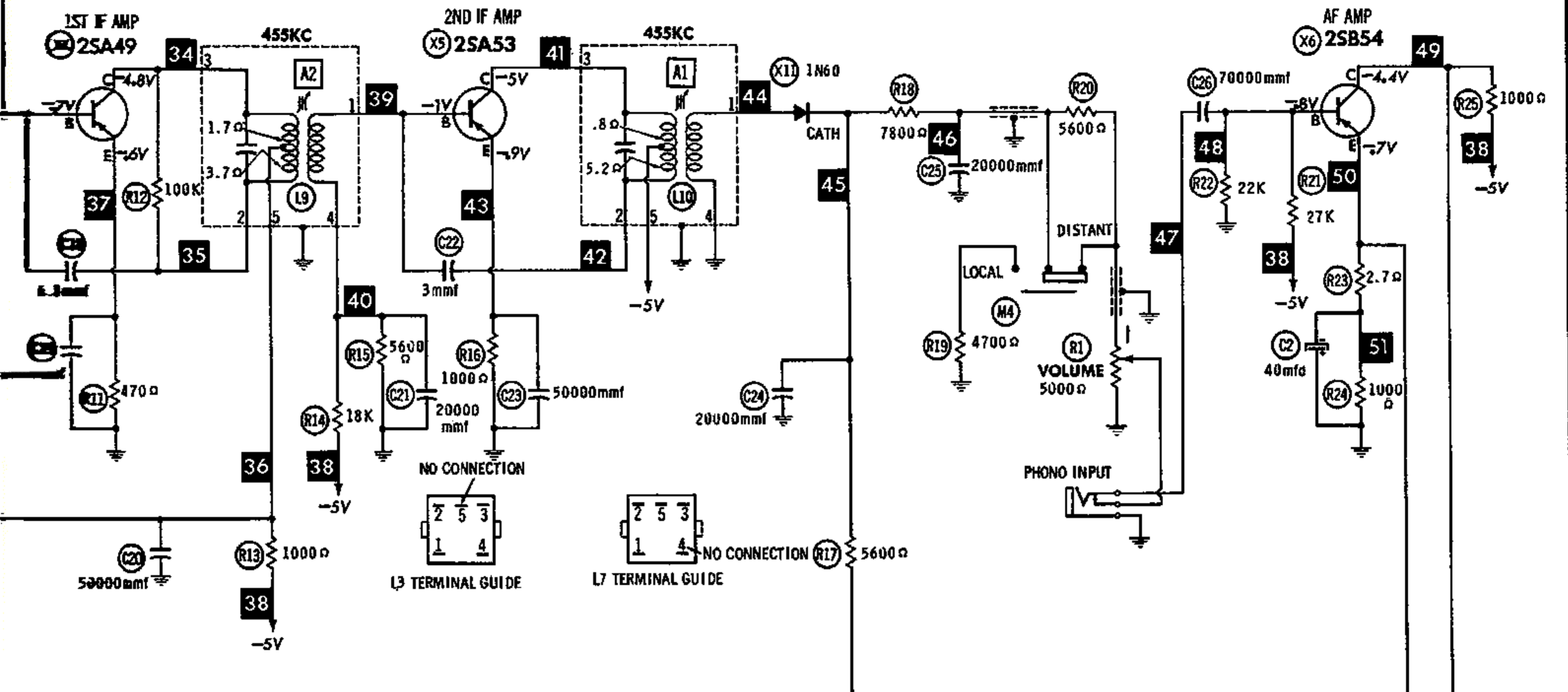
RESISTANCE MEASUREMENTS NOT GIVEN BECAUSE OF THE WIDE VARIATION IN INTERNAL TRANSISTOR RESISTANCE.

NUMBERS ASSIGNED TO COILS, SWITCHES, PLUGS, SOCKETS, AND TRANSFORMERS ARE TO FACILITATE CIRCUIT TRACING OR COMPONENT REPLACEMENT AND MAY NOT NECESSARILY BE FOUND ON THE UNIT.

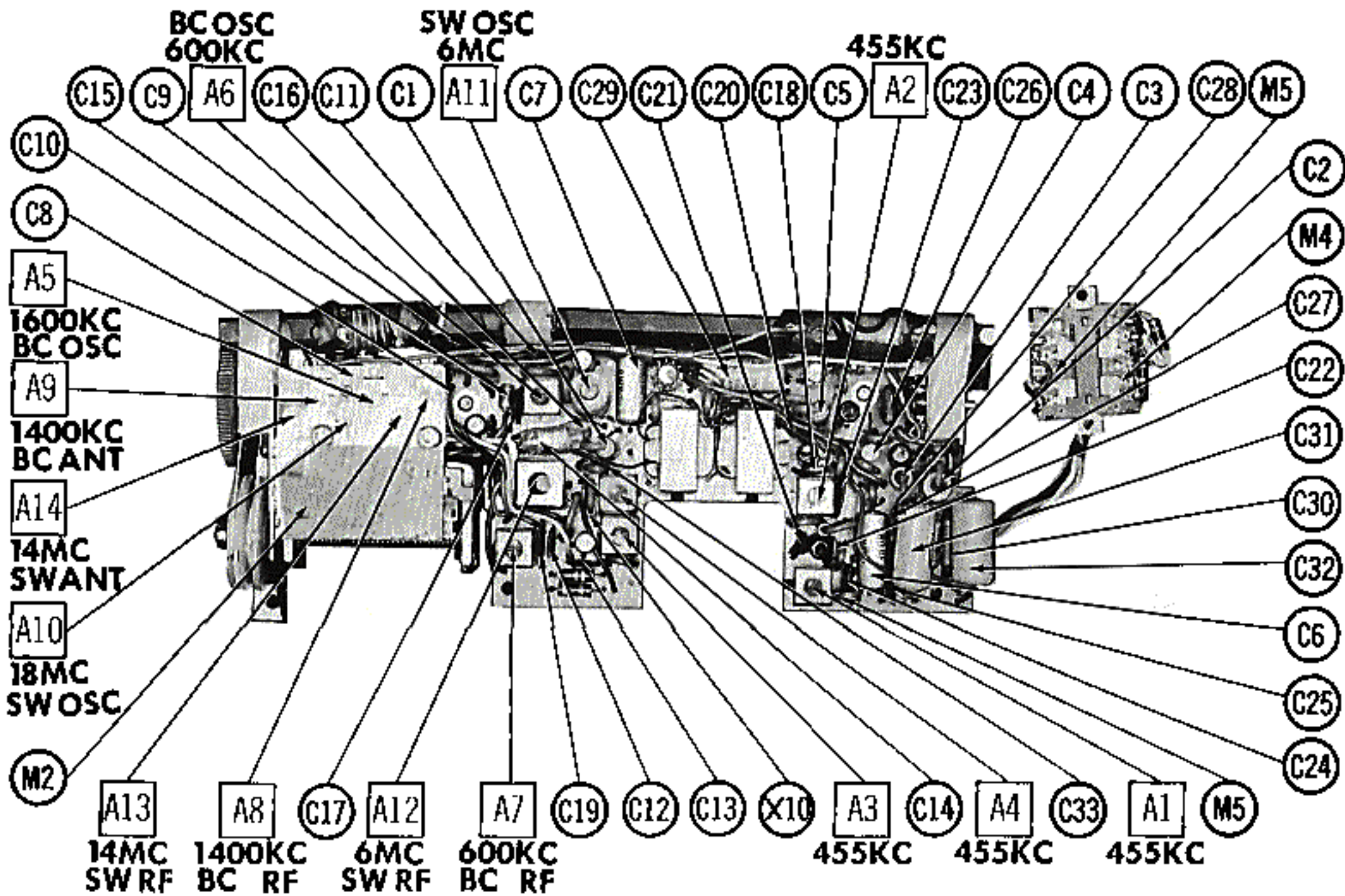
DC COIL RESISTANCE VALUES UNDER ONE OHM NOT SHOWN ON SCHEMATIC DIAGRAM

1. DC voltage measurements taken with vacuum tube voltmeter.
2. Socket connections or transistor terminals are shown as bottom views.
3. Measured values are from socket pin or terminal to common ground.
4. Nominal tolerance on component values makes possible a variation of $\pm 15\%$ in voltage and resistance readings.
5. Volume control at maximum, no signal applied for voltage measurements.

A PHOTOFACT STANDARD NOTATION SCHEMATIC with CIRCUITRACE



TOSHIBA MODEL 9TL-365S



CHASSIS TOP VIEW - ALIGNMENT, CAPACITOR & MISC. IDENT.

TRANSISTORS

ITEM No.	ORIG. TYPE	USE	REPLACEMENT DATA		NOTES
			RCA PART No.	RAYTHEON PART No.	
X1	2SA57	RF Amplifier			PNP
X2	2SA58	Mixer			PNP
X3	2SA92	Oscillator			PNP
X4	2SA49	1st IF Amplifier			PNP
X5	2SA53	2nd IF Amplifier			PNP
X6	2SB54	AF Amplifier	2N406		PNP
X7	2SB54	Driver	2N406		PNP
X8	2SB189	Output			PNP
X9	2SB189	Output			PNP

POWER RECTIFIERS & SIGNAL DIODES

ITEM No.	CURRENT RATING (Measured)	ORIGINAL Part or Type No.	RECTIFIERS		DIODES		NOTES
			RCA PART No.	SARKES TARZIAN PART No.	GENERAL ELECTRIC PART No.	RAYTHEON PART No.	
X10		1N60				1N60	Overload Limiter Detector
X11		1N60				1N60	

ELECTROLYTIC CAPACITORS

ITEM No.	RATING		REPLACEMENT DATA						
	CAP.	VOLT.	TOSHIBA PART No.	AEROVOX PART No.	CORNELL-DUBILIER PART No.	GENERAL ELECTRIC PART No.	MALLORY PART No.	PYRAMID PART No.	SPRAGUE PART No.
C1	8	5		PTT-6008	NLW8-10	MT1-5	TT6X8	MLV10-6	TE-1086
C2	40	3		PTT-3040	NLW40-3	MT1-15	TT3X40	MLV40-3	TE-1057
C3	10	8		PTT-6010	NLW10-8	MT1-5	TT6X10	MLV10-6	TE-1087
C4	8	5		PTT-6008	NLW8-10	MT1-5	TT6X8	MLV10-6	TE-1086
C5	8	3		PTT-3008	NLW8-10	MT1-5	TT6X8	MLV10-3	TE-1052.5
C6	60	8		PTT-6050	NLW75-10	MT1-18	TT6X60	MLV50-6	TE-1101
C7	60	8		PTT-6050	NLW75-10	MT1-18	TT6X60	MLV50-6	TE-1101

FIXED CAPACITORS

ITEM No.	RATING	REMARKS	REPLACEMENT DATA						
			AEROVOX PART No.	CENTRALAB PART No.	CORNELL-DUBILIER PART No.	ELMENCO PART No.	MALLORY PART No.	SPRAGUE PART No.	
C8A									
C9	20000		C80V203AM	DA-203	H-05S2			TA-120	TG-S20
C10	20000		C80V203AM	DA-203	H-05S2			TA-120	TG-S20
C11	20000		C80V203AM	DA-203	H-05S2			TA-120	TG-S20
C12	10000		C80V103AM	DM-103	H-05S1			TA-110	TG-S10
C13	20000		C80V203AM	DA-203	H-05S2			TA-120	TG-S20
C14	3000		SI 3000	D6-302	BYA10D3	CCD-302		B-230	10TS-D30
C15	500		SI 500	D6-501	BYA10T5	CCD-501		B-350	10TS-T50
C16	3000		SI 3000	D6-302	BYA10D3	CCD-302		B-230	10TS-D30
C17	2000		BPD-002	D6-202	BYA10D2	CCD-202		B-220	10TS-D20
C18	6.8		NPO-DI 6.8	DTZ-6R8	C10V68C	CCTO-6R8		CNO-568	10TCC-V68
C19	50000		C80V503AM	DA-503	H-05S5			TA-150	TG-S50
C20	50000		C80V503AM	DA-503	H-05S5			TA-150	TG-S50
C21	20000		C80V203AM	DA-203	H-05S2			TA-120	TG-S20
C22	3		NPO-DI 3.0	DTZ-3R3	C10V3C	CCTO-3R3		CNO-533	10TCC-V33
C23	50000		C80V503AM	DA-503				TA-150	TG-S50

DESCRIPTIONS

FIXED CAPACITORS(cont)

ITEM No.	RATING	REMARKS	REPLACEMENT DATA					
			AEROVOX PART No.	CENTRALAB PART No.	CORNELL-DUBILIER PART No.	ELMENCO PART No.	MALLORY PART No.	SPRAGUE PART No.
C24	20000		C80V203AM	DA-203	H-05S2		TA-120	TG-S20
C25	20000		C80V203AM	DA-203	H-05S2		TA-120	TG-S20
C26	70000							
C27	10000		C80V103AM	DM-103	H-05S1		TA-110	TG-S10
C28	50000		C80V503AM	DA-503	H-05S5		TA-150	TG-S50
C29	.12 150V		V84C2P15		WMF1P15E			2EP-P10
C30	25000				H-05S25		TA-125	TG-S25
C31	.2 150V		V84C2P22		WMF1P22E			2EP-P20
C32	.25 150V		V84C2P25		WMF1P22E			2EP-P25
C33	50000		C80V503AM	DA-503	H-05S5		TA-150	TG-S50

CONTROLS

All wattages 1/2 watt, or less, unless otherwise listed.

ITEM No.	USE	RESIST-ANCE	REPLACEMENT DATA				
			TOSHIBA PART No.	CENTRALAB PART No.	CLAROSTAT PART No.	CTS-IRC PART No.	MALLORY PART No.
R1	Volume & Switch	5000Ω	40515T				

RESISTORS

All wattages 1/2 watt, or less, unless otherwise listed.

ITEM No.	RATING	REPLACEMENT DATA			ITEM No.	RATING	REPLACEMENT DATA		
		IRC PART No.	WORKMAN PART No.	REMARKS			IRC PART No.	WORKMAN PART No.	REMARKS
R2	3300Ω				R20	5600Ω			
R3	330Ω				R21	27K			
R4	22K				R22	22K			
R5	6800Ω				R23	2.7Ω			
R6	2200Ω				R24	1000Ω			
R7	10K				R25	1000Ω			
R8	3900Ω				R26	22K			
R9	1200Ω				R27	8200Ω			
R10	56K				R28	560Ω			
R11	470Ω				R29	2700Ω			
R12	100K				R30	1000Ω			
R13	1000Ω				R31	1500Ω			
R14	18K				R32	680Ω			
R15	5600Ω				R33	Temp. Comp.			
R16	1000Ω				R34	1500Ω			
R17	5600Ω				R35	2.2Ω			
R18	1800Ω				R36	150Ω			
R19	4700Ω				R37	100Ω			

COILS (RF-IF)

ITEM No.	USE	REPLACEMENT DATA					NOTES
		TOSHIBA PART No.	Merit PART No.	Miller PART No.	Stancor PART No.	Workman TV PART No.	
L1	SW Loopstick						
L2	BC Loopstick						
L3	SW RF						
L4	BC RF						
L5	SW Osc.						
L6	BC Osc.						
L7	1st IF						
L8	2nd IF						
L9	3rd IF						
L10	4th IF						

PARTS LIST AND DESCRIPTIONS (Continued)

TRANSFORMER (DRIVER)

ITEM No.	TURNS RATIO		REPLACEMENT DATA					NOTES
			TOSHIBA PART No.	Merit PART No.	Stancor PART No.	Thordarson PART No.	Triad PART No.	
	PRI.	SEC.						
T1	2	1	0721A					

TRANSFORMER (AUDIO OUTPUT)

ITEM No.	IMPEDANCE		REPLACEMENT DATA					NOTES
			TOSHIBA PART No.	Merit PART No.	Stancor PART No.	Thordarson PART No.	Triad PART No.	
	PRI.	SEC.						
T2	150Ω CT	8-8Ω						

SPEAKER

ITEM No.	TYPE			REPLACEMENT DATA		NOTES
				TOSHIBA PART No.	QUAM PART No.	
	SIZE	FIELD	V. C. IMP.			
SP1	3½"	PM	8-8Ω	SP-3503B		

BATTERIES

ITEM No.	VOLTAGE	TOSHIBA PART No.	REPLACEMENT DATA						NOTES
			BURGESS		EVEREADY		MALLORY		
			"A"	"B"	"A"	"B"	"A"	"B"	
M1	1.5V	UM-2 *		130 *		635 *		M-14R*	* 4 Required

MISCELLANEOUS

ITEM No.	PART NAME	TOSHIBA PART No.	NOTES
M2 M3 M4 M5	Tuning Cap. Switch Switch Switch		3 Gang Band, BC-SW (Rotary Type) Local-Distant (Slide Type) Tone (Slide Type)

WIRING DATA

Element and Description Block up Wire

1700 (M-14R) No. 0000 (M-14R) (USA Will)
0004 (M-14R) (USA Will)
0008 (M-14R) (USA Will)

Available
in
10 Poles

DIAL CORD STRINGING

