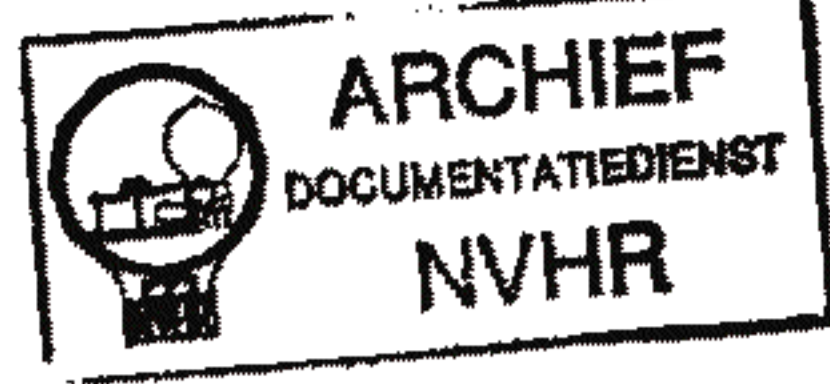


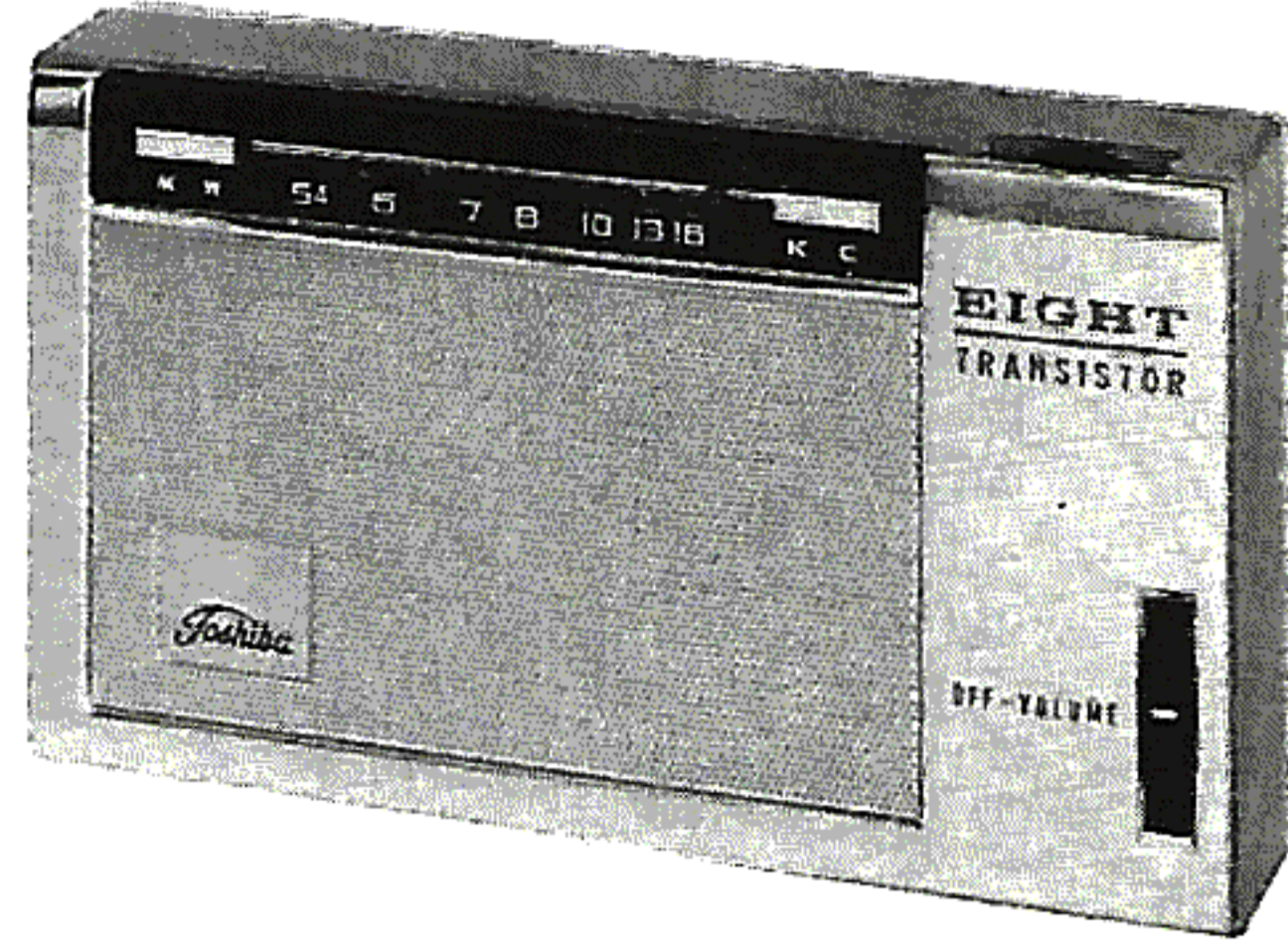


PHOTOFACT[®]

Met dank aan Jef Bos



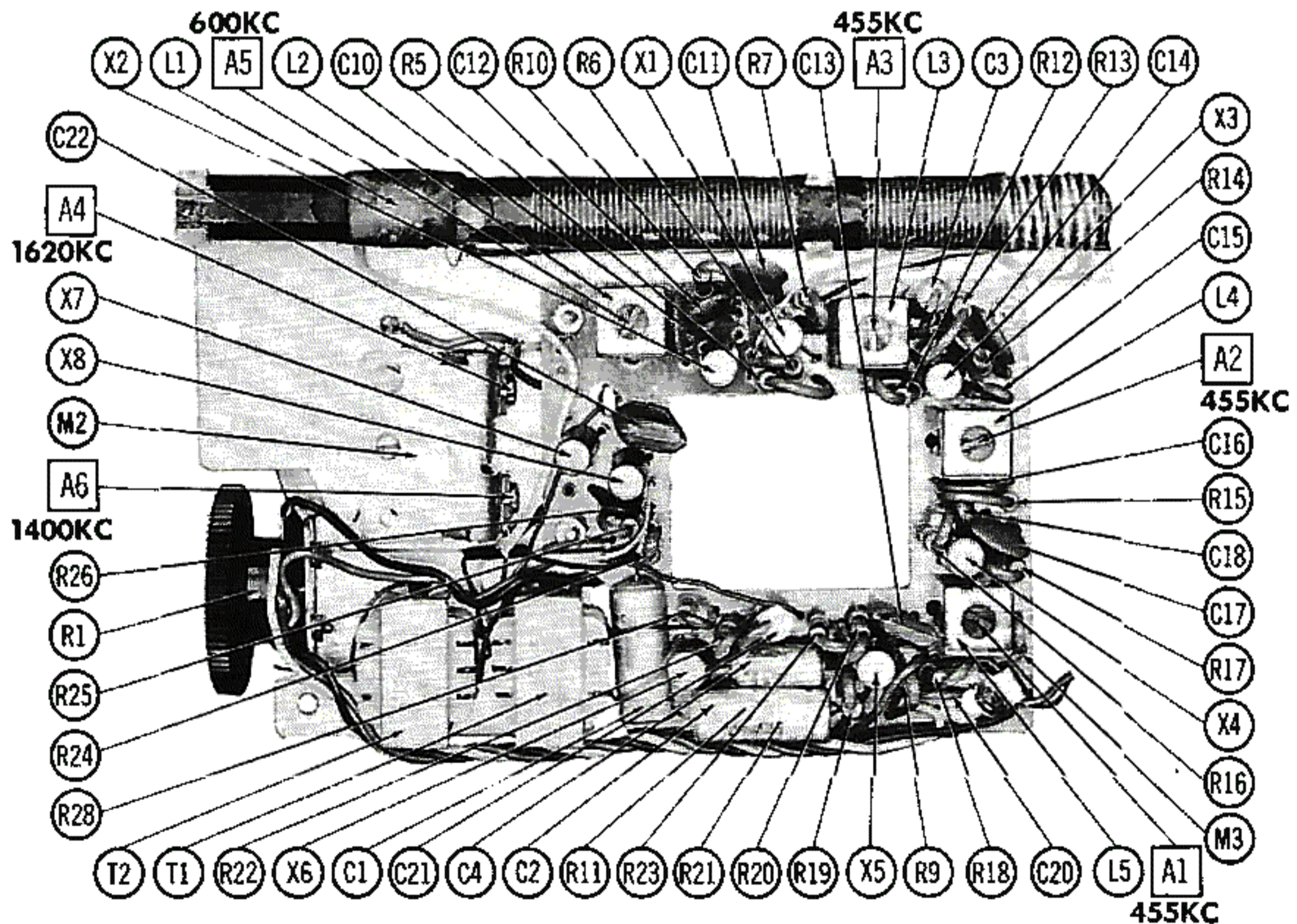
TRADE NAME: Toshiba Model 8TM-613
 SUPPLIER: Transistor World Corp.
 513 W. 24th Street, New York 11, N. Y.
 TYPE SET: 8 Transistor AM Receiver
 POWER SUPPLY: 6 Volts DC
 RATING: 10MA @ 6VDC (No Signal, Min. Volume)
 25MA @ 6VDC (Signal, Normal Volume)
 TUNING RANGE: BROADCAST 540 - 1620KC



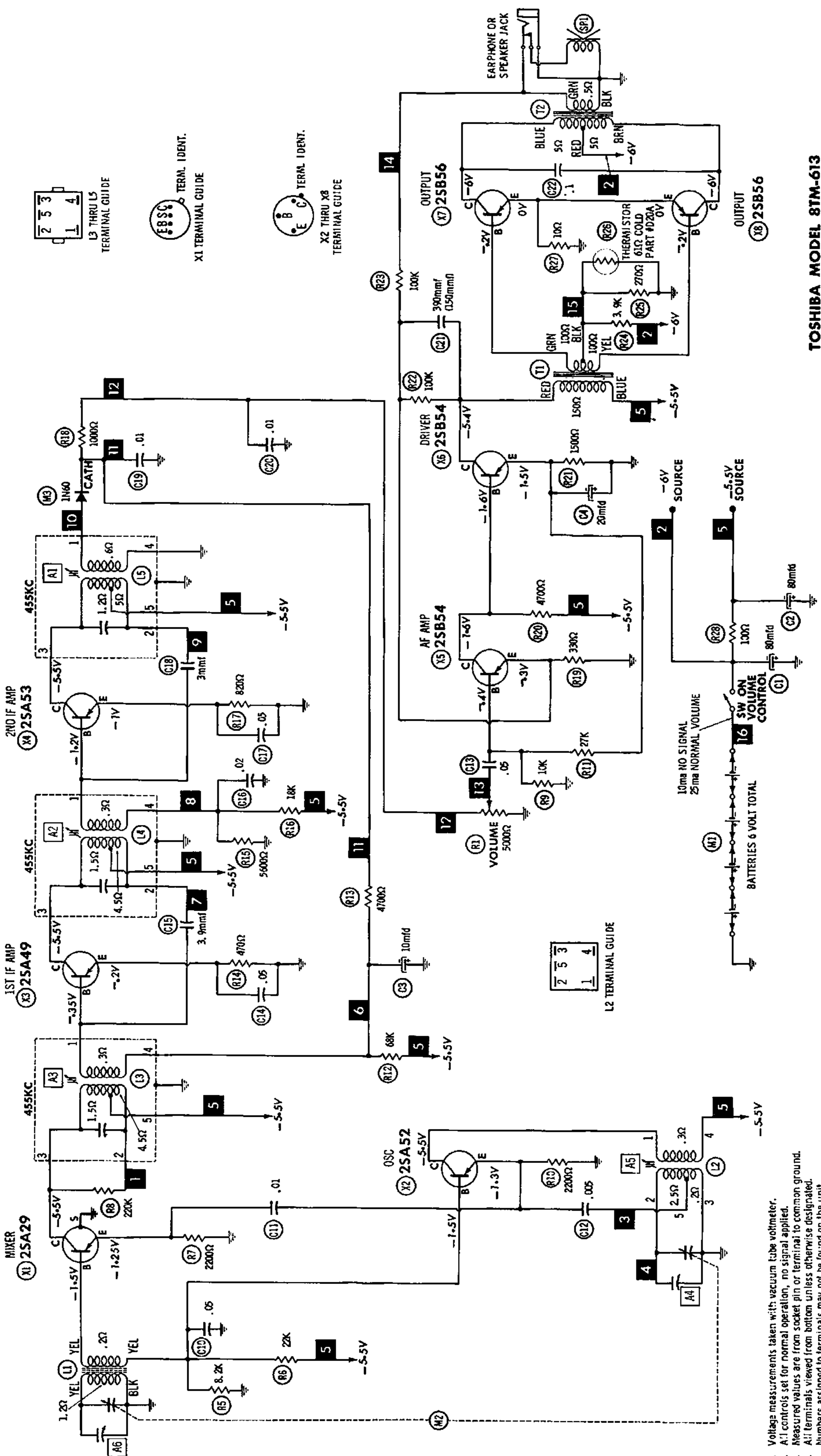
ALIGNMENT INSTRUCTIONS

Check for specified source voltage.
 Fashion loop of several turns of wire and connect generator across loop.
 Adjust output of generator to radiate only enough signal into receiver to obtain a suitable indication.
 Suggested Alignment Tools:
 A1 thru A6.....GENERAL CEMENT #5000, 5066, 8290
 WALSCO #2512, 2525, 2528

	SIGNAL GENERATOR FREQUENCY	RADIO DIAL SETTING	INDICATOR	ADJUST	REMARKS
1.	455KC (400% Mod.)	Tuning gang fully open.	Output Meter across voice coil.	A1, A2, A3	Adjust for maximum. Repeat as required.
2.	1620KC	"	"	A4	Adjust for maximum.
3.	600KC	Tune to Signal.	"	A5	Rock tuning gang and adjust for maximum. Repeat steps 2 and 3.
4.	1400KC	"	"	A6	Adjust for maximum.



HOWARD W. SAMS & CO., INC. Indianapolis 6, Indiana



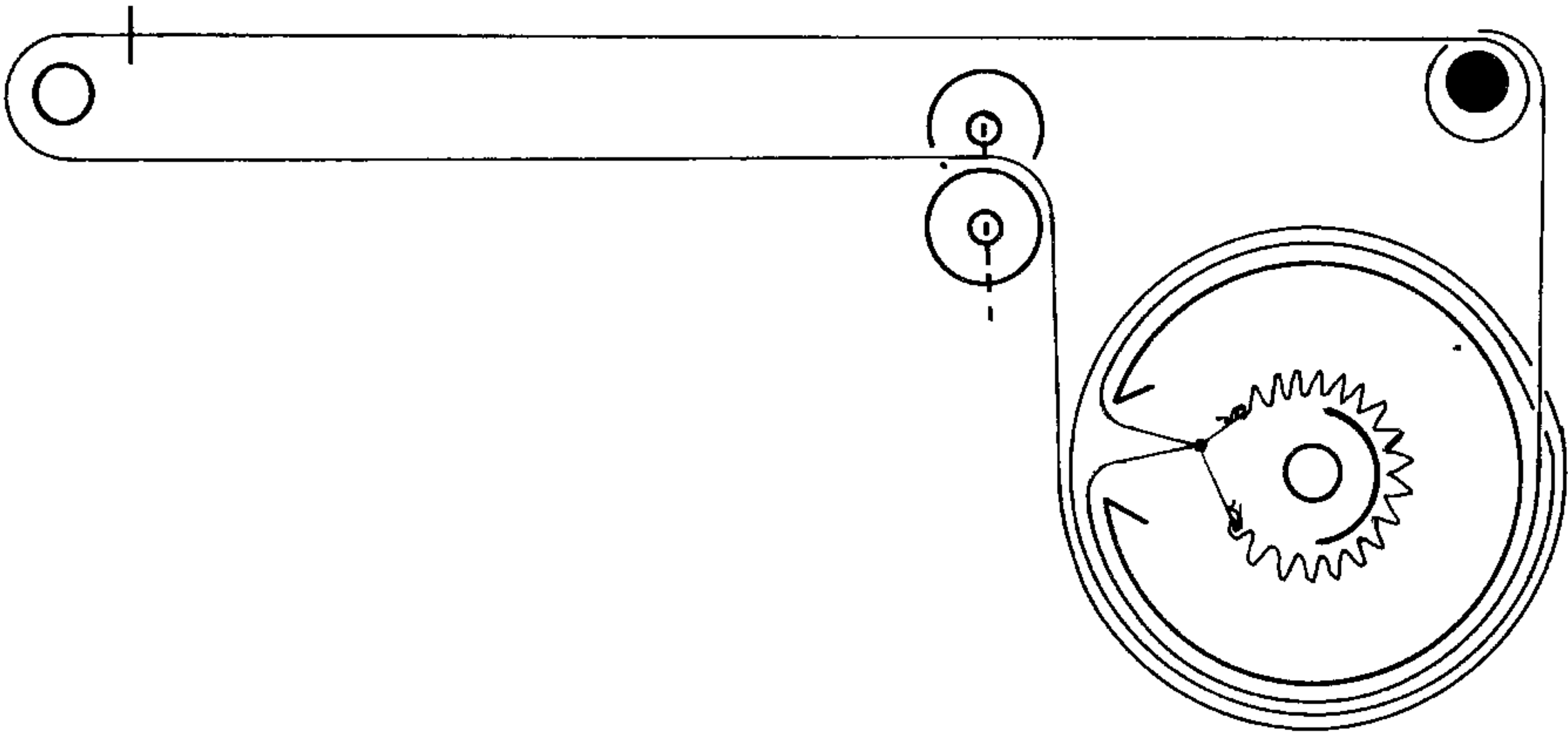
1. Voltage measurements taken with vacuum tube voltmeter.
2. A1 controls set for normal operation, no signal applied.
3. Measured values are from socket pin or terminal to common ground.
4. All terminals viewed from bottom unless otherwise designated.
5. Numbers assigned to terminals may not be found on the unit.
6. Supply voltage maintained at rated value for voltage readings.
7. Resistance measurements not given because of the wide variation in internal resistance of transistor.

TOSHIBA MODEL 8TM-613

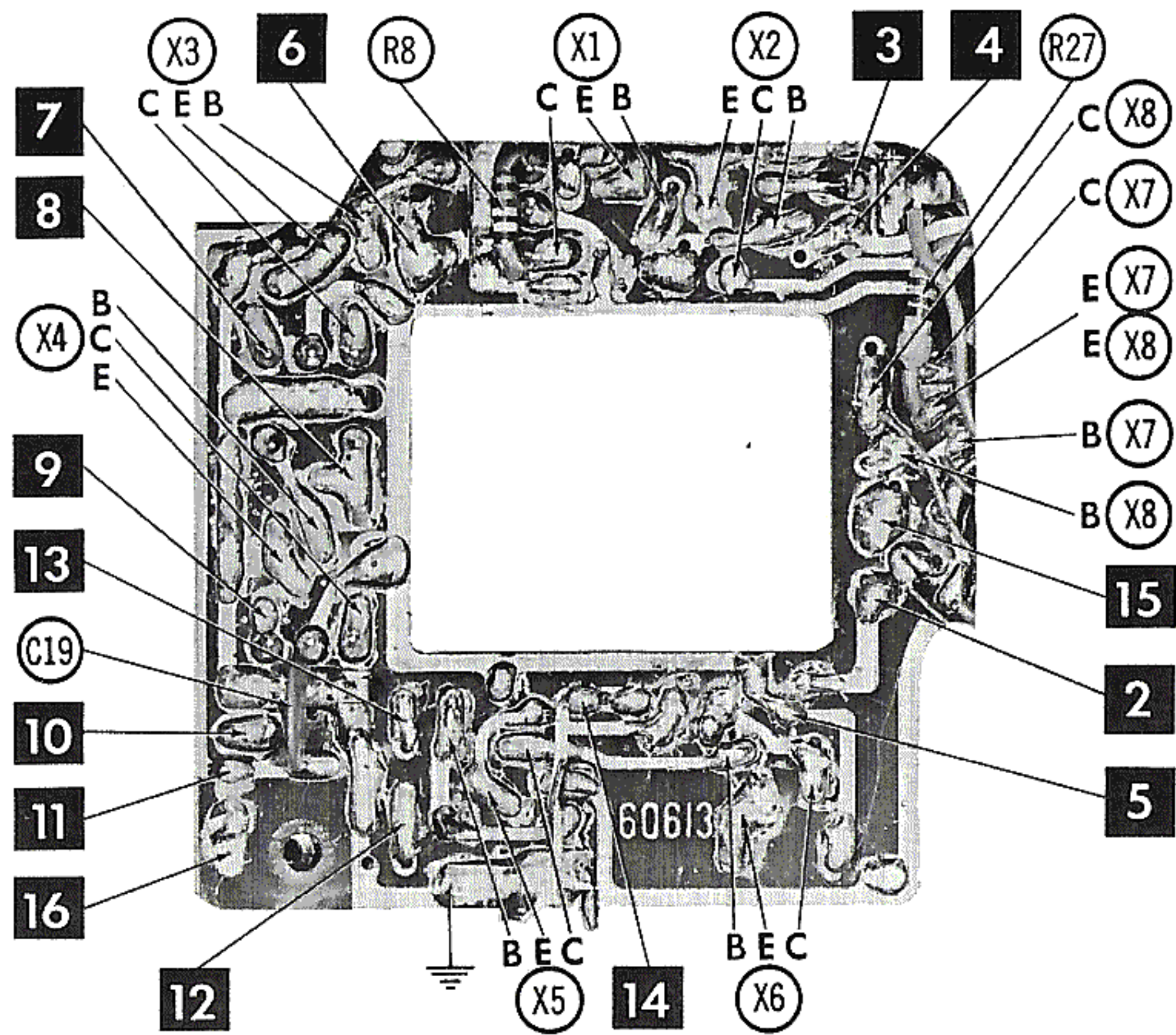
A PHOTOFACT STANDARD NOTATION SCHEMATIC

with **CIRCUTRACE**

©Howard W Sams & Co., Inc. 1963



DIAL CORD STRINGING



TRANSISTORS

ITEM No.	ORIG. TYPE	USE	REPLACEMENT DATA			NOTES
			DELCO PART No.	GENERAL ELECTRIC PART No.	RCA PART No.	
X1	2SA29	Mixer	DS-25	GE-1		PNP
X2	2SA52	Osc.	DS-25	GE-1		PNP
X3	2SA49	1st IF Amplifier	DS-25	GE-1		PNP
X4	2SA53	2nd IF Amplifier	DS-25	GE-1		PNP
X5	2SB54	AF Amplifier	DS-26	GE-2	2N406	PNP
X6	2SB54	Driver	DS-26	GE-2	2N408	PNP
X7	2SB56	Output	DS-26	GE-2	2N408	PNP
X8	2SB56	Output	DS-26	GE-2	2N408	PNP

ELECTROLYTIC CAPACITORS

ITEM No.	RATING		REPLACEMENT DATA						
	CAP.	VOLT.	TOSHIBA PART No.	AEROVOX PART No.	CORNELL-DUBILIER PART No.	GENERAL ELECTRIC PART No.	GENERAL INSTRUMENT PART No.	MALLORY PART No.	SPRAGUE PART No.
C1	80	6		CRE320A	NLW75-10	MT1-18	BL1620	TT6X80	TE-1101.5
C2	80	6		CRE320A	NLW75-10	MT1-18	BL1620	TT6X80	TE-1101.5
C3	10	3		CRE207A	NLW10-3	MT1-5	MLV10-3	TT3X10	TE-1053
C4	20	3		CRE211A	NLW20-6	MT1-10	MLV20-12	TT12X20	TE-1054

FIXED CAPACITORS

ITEM No.	RATING	REMARKS	REPLACEMENT DATA					
			AEROVOX PART No.	CENTRALAB PART No.	CORNELL-DUBILIER PART No.	ELMENCO PART No.	MALLORY PART No.	SPRAGUE PART No.
C10	.05		TTD-05	CK-503	H5		TA-150	TG-S50
C11	.01		TTD-01	CK-103	H2		TA-110	TG-S10
C12	.005		TTD-005	CK-502	H1		TA-250	TG-D50
C13	.05 50V							
C14	.05		TTD-05	CK-503	H5		TA-150	TG-S50
C15	3.9							10TCC-V39
C16	.02		TTD-02	CK-203	H3		TA-120	TG-S20
C17	.05		TTD-05	CK-503	H5		TA-150	TG-S50
C18	3		NPO-DI 3	DTZ-3R3	C10V33C	CCTO-3R3	CNO-533	10TCC-V30
C19	.01		TTD-01	CK-103	H2		TA-110	TG-S10
C20	.01		TTD-01	CK-103	H2		TA-110	TG-S10
C21	390 250V	(150) †		CPR-390J				
C22	.1 50V							

† Alternate Value.

CONTROLS

All wattages 1/2 watt, or less, unless otherwise listed.

ITEM No.	USE	RESISTANCE	REPLACEMENT DATA				
			TOSHIBA PART No.	CENTRALAB PART No.	CLAROSTAT PART No.	CTS-IRC PART No.	MALLORY PART No.
R1	Volume & Switch	5000Ω					

COILS (RF-IF)

ITEM No.	USE	REPLACEMENT DATA					NOTES
		TOSHIBA PART No.	MERIT PART No.	MILLER PART No.	STANCOR PART No.	WORKMAN PART No.	
L1	Loopstick						
L2	Osc.						
L3	1st IF		BC-574	2066	RTC-9266		
L4	2nd IF		BC-575	2067	RTC-9267		
L5	3rd IF		BC-576	2068	RTC-9268		

DESCRIPTION

TRANSFORMER (DRIVER)

ITEM No.	TURNS RATIO		REPLACEMENT DATA					NOTES
			TOSHIBA PART No.	MERIT PART No.	STANCOR PART No.	THORDARSON PART No.	TRIAD PART No.	
	PRI.	SEC.						
T1	1	1						

TRANSFORMER (AUDIO OUTPUT)

ITEM No.	IMPEDANCE		REPLACEMENT DATA					NOTES
			TOSHIBA PART No.	MERIT PART No.	STANCOR PART No.	THORDARSON PART No.	TRIAD PART No.	
	PRI.	SEC.						
T2	200Ω CT	6-8Ω						

SPEAKER

ITEM No.	TYPE	REPLACEMENT DATA		NOTES
		TOSHIBA PART No.	QUAM PART No.	
SP1	3" PM 6-8Ω	SP-3050A		

BATTERIES

ITEM No.	VOLTAGE	TOSHIBA PART No.	REPLACEMENT DATA			NOTES
			BURGESS	EVEREADY	MALLORY	
M1	6V	UM-3	AL-9 (or Hg-9, 930)	E91 (or 1015, E9)	MN1500 (or M-15R, ZM-9)	4 Required

MISCELLANEOUS

ITEM No.	PART NAME	TOSHIBA PART No.	NOTES
M2 M3	Tuning Cap. Detector (1N60)		

WIRING DATA

General-use Unshielded Hook-up Wire	Use BELDEN No. 8530 (Solid 22AWG)	Available
	8524 (Stranded 22AWG)	in
	8570 (Stranded 28AWG)	12 Colors