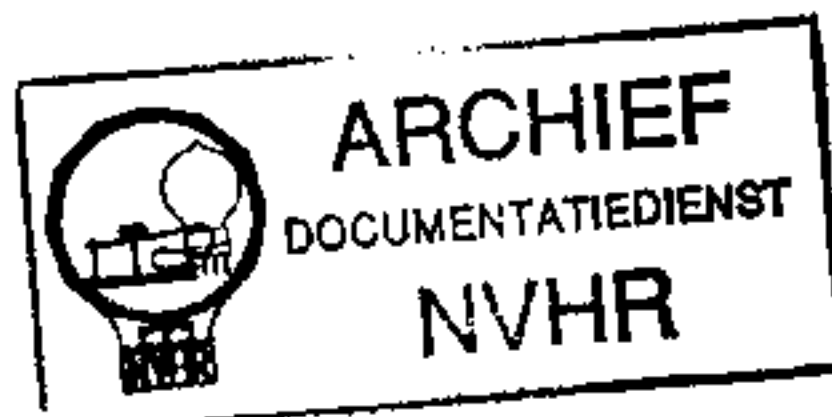


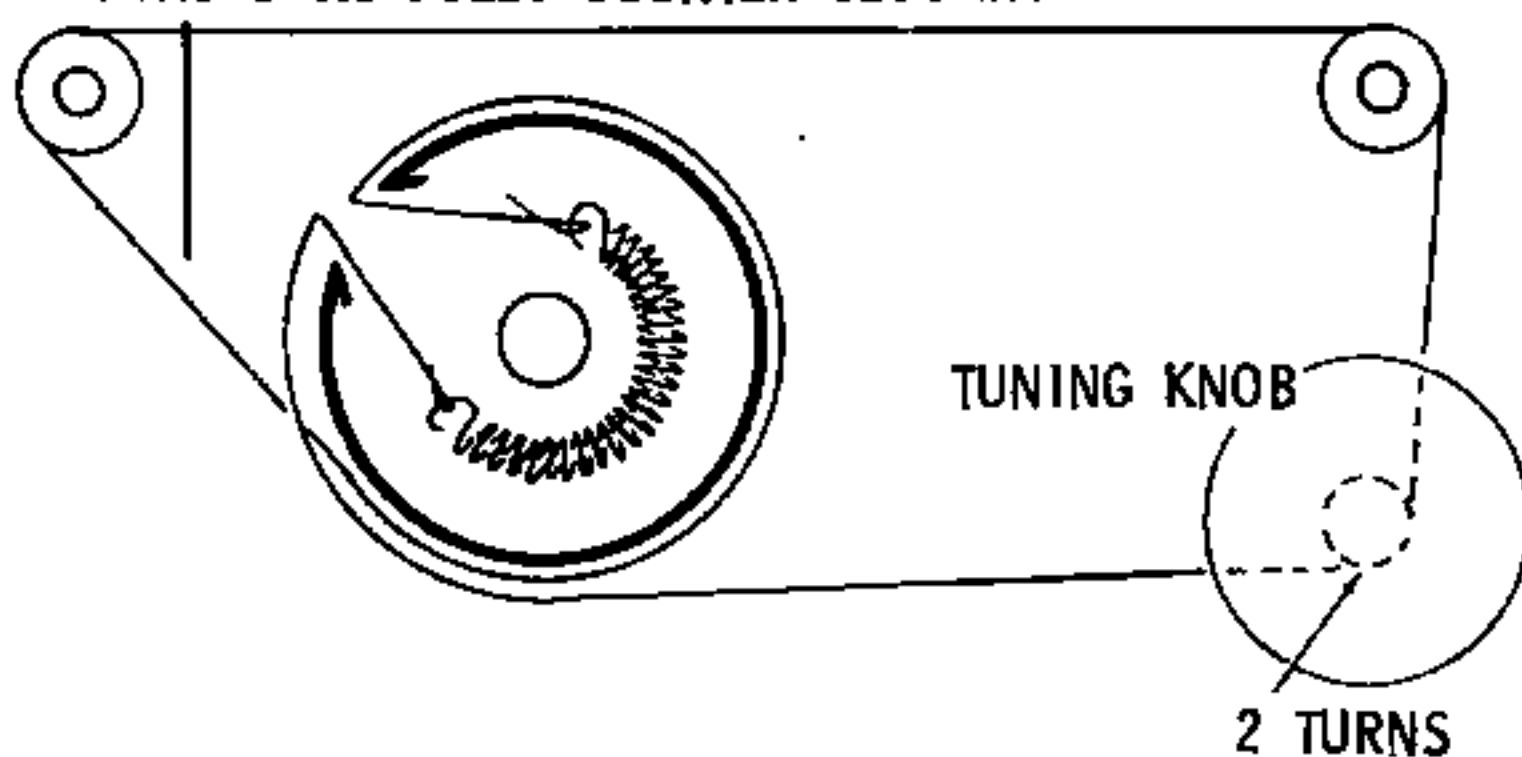
Met dank aan Jef Bos

Ned. Ver. v. Historie v/d Radio



DIAL CORD STRINGING

TUNING GANG FULLY COUNTER CLOCKWISE



FRONT VIEW

TRADE NAME Toshiba Model 7TP-352M
 IMPORTER Transistor World Corp., 52 Broadway, New York 4, N. Y.
 TYPE SET Battery Operated Transistorized Portable BC-SW Receiver
 POWER SUPPLY 9 Volts DC RATING 7MA @ 9 Volts DC (No Signal, Min. Volume)
 TUNING RANGE—BROADCAST 540 — 1600KC 15MA @ 9 Volts DC (Signal, Normal Volume)

ALIGNMENT INSTRUCTIONS

ALIGNMENT INSTRUCTIONS—READ CAREFULLY BEFORE ATTEMPTING ALIGNMENT

Volume control should be at maximum position. Output of signal generator should be no higher than necessary to obtain an output reading.

Suggested Alignment Tools: A1, A2, A3, A5... GENERAL CEMENT #5004, 5009, 8195, 8274, 8275, 8607, 8728, 8987, 8988, 8989, 9291

WALSCO #2515, 2520, 2522, 2523, 2531, 2532, 2534, 2537, 2538

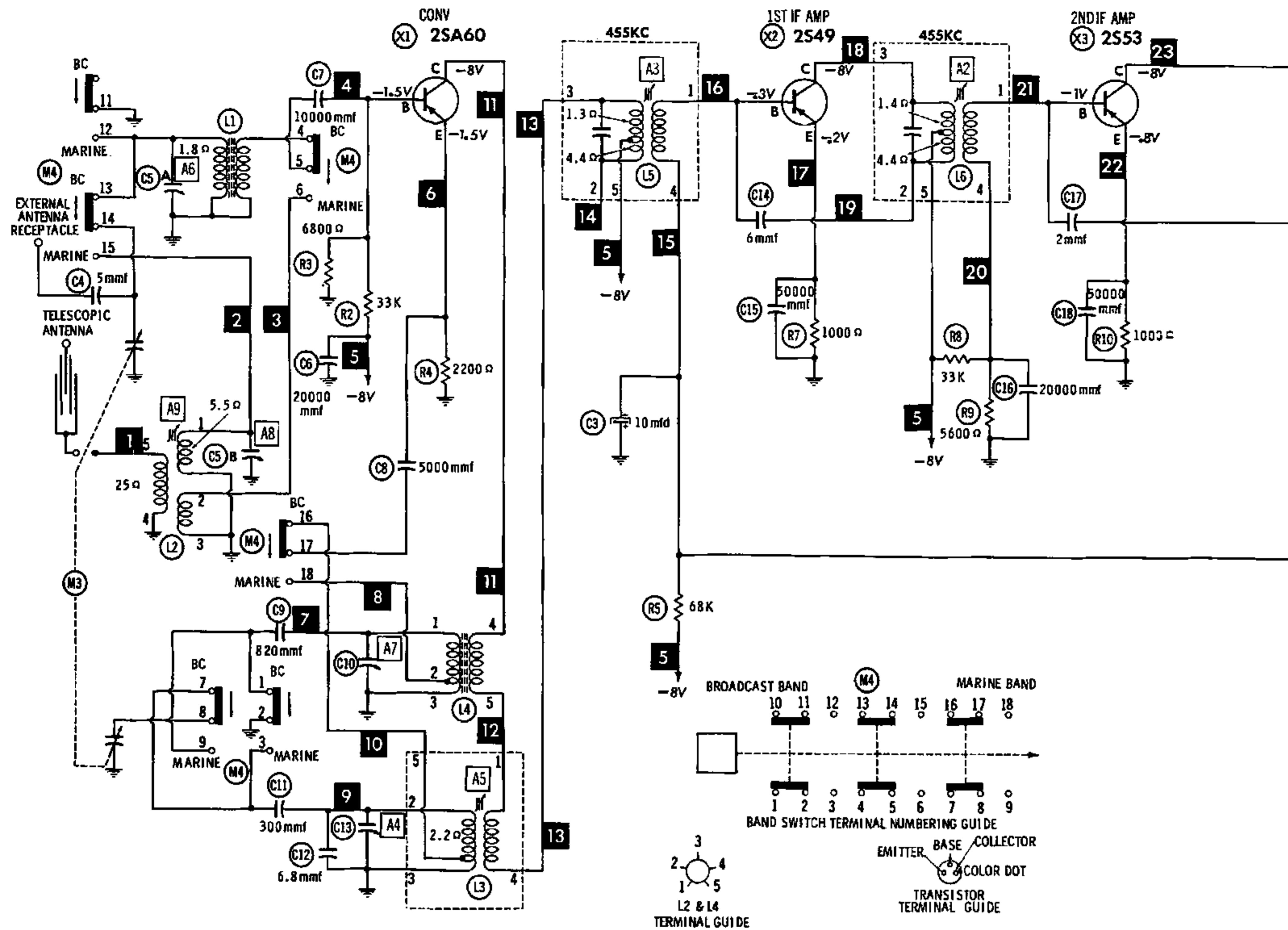
A4, A6..... GENERAL CEMENT #5009, 8195, 8274, 8275, 8728, 8729, 8987, 8988, 8989
 WALSCO #2515, 2531, 2532

	SIGNAL GENERATOR COUPLING	SIGNAL GENERATOR FREQUENCY	RADIO DIAL SETTING	OUTPUT METER	ADJUST	REMARKS
1.	Loop	455KC (400v Mod.)	(BC) Tuning gang fully open.	Across voice coil.	A1, A2 A3	Fashion loop of several turns of wire and radiate signal into loop of receiver. Adjust for maximum output.
2.	"	1600KC	1600KC	"	A4	"
3.	"	600KC	600KC	"	A5	"
4.	"	1400KC	1400KC Signal.	"	A6	"
5.	Place loop near dipole antenna.	5MC	(MR) 5MC	"	A7	Adjust for maximum output.
6.	"	4MC	4MC	"	A8	"
7.	"	2MC	2MC	"	A9	Adjust for maximum output. Repeat Steps 2 thru 7.

HOWARD W. SAMS & CO., INC. Indianapolis 6, Indiana

The listing of any available replacement part herein does not constitute in any case a recommendation, warranty or guaranty by Howard W. Sams & Co., Inc., as to the quality and suitability of such replacement part. The numbers of these parts have been compiled from information furnished to Howard W. Sams & Co., Inc., by the manufacturers of KF517

the particular type of replacement part listed. Reproduction or use, without express permission, of editorial or pictorial content, in any manner, is prohibited. No patent liability is assumed with respect to the use of the information contained herein. © 1961 Howard W. Sams & Co., Inc., Indianapolis 6, Indiana. Printed in U.S. of America

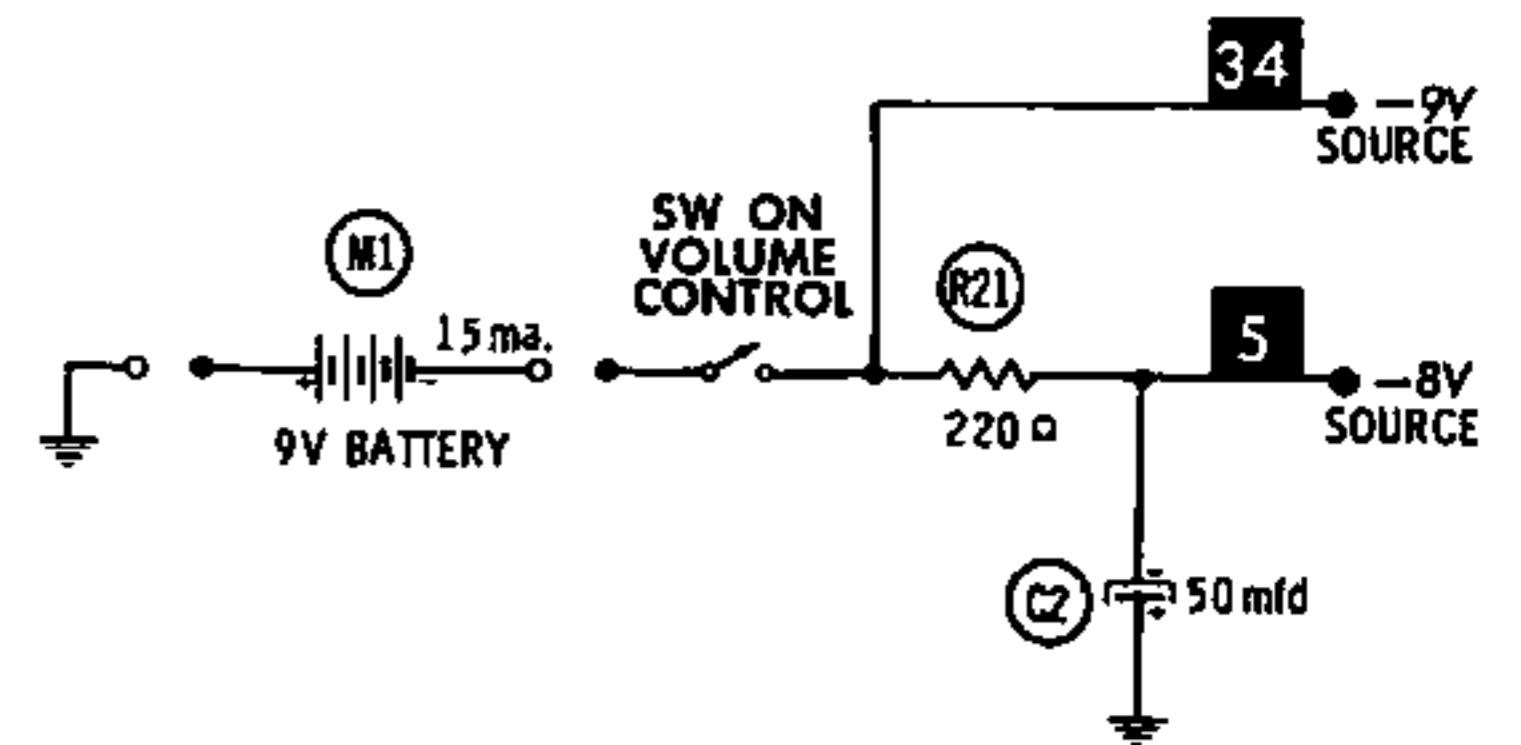
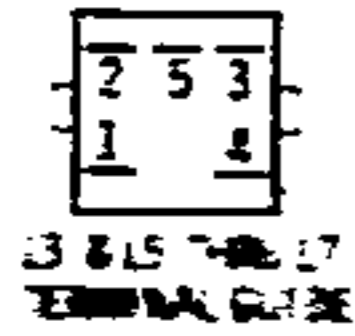
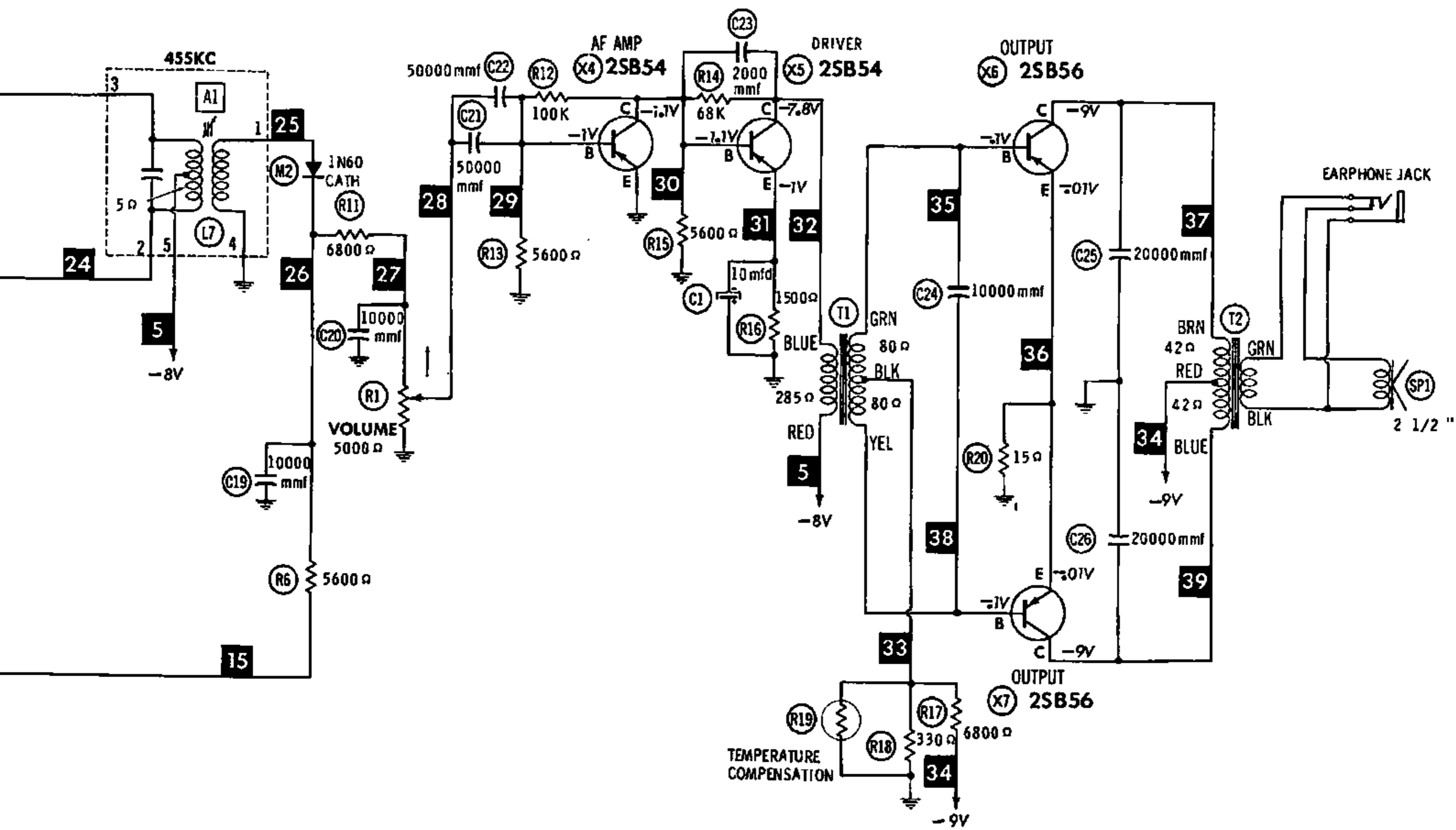


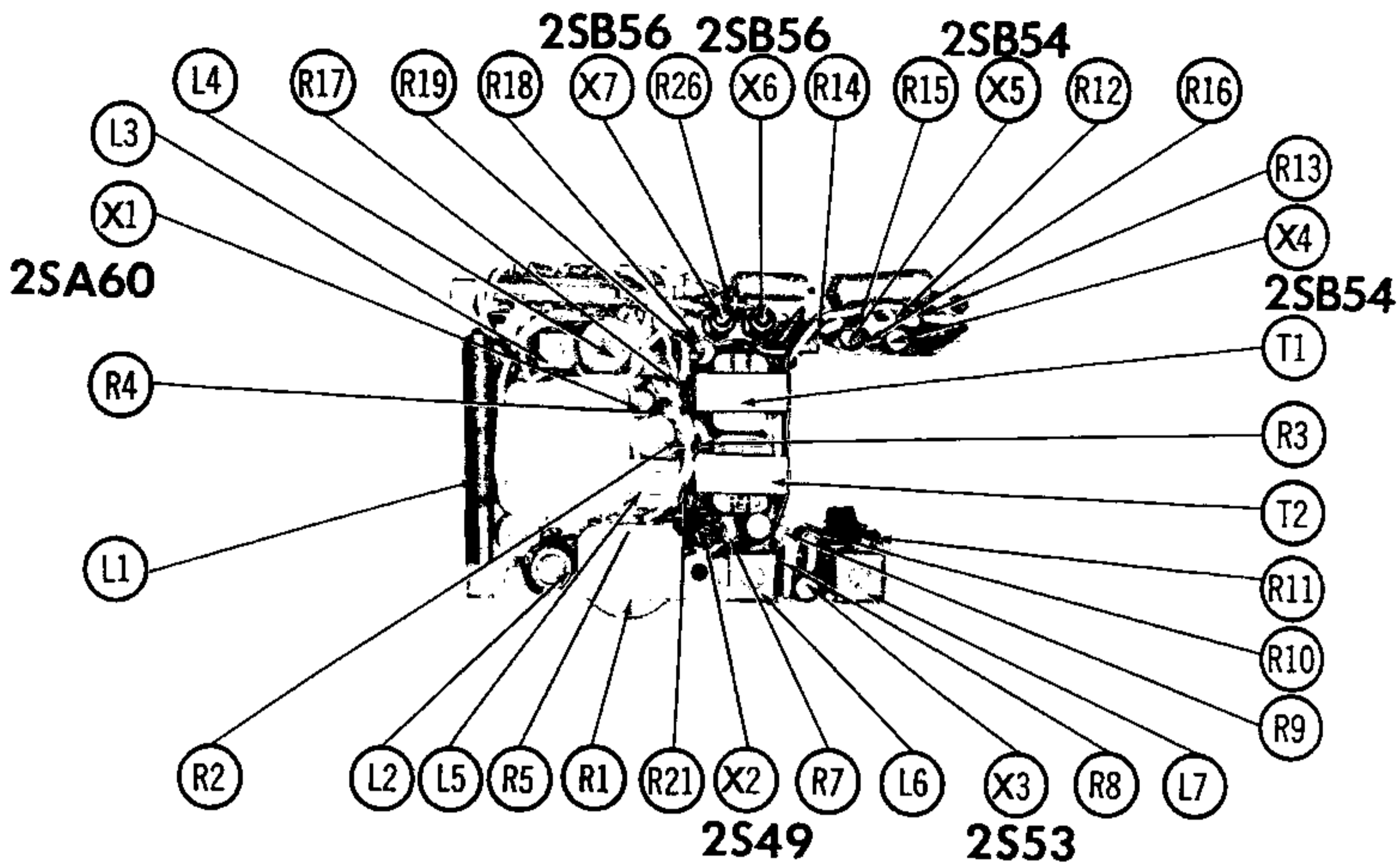
1. DC voltage measurements taken with vacuum tube voltmeter.
2. Socket connections or transistor terminals are shown as bottom views.
3. Measured values are from socket pin or terminal to common ground.
4. Nominal tolerance on component values makes possible a variation of $\pm 15\%$ in voltage and resistance readings.
5. Volume control at maximum, no signal applied for voltage measurements.

NUMBERS ASSIGNED TO COILS, SWITCHES, PLUGS, SOCKETS, AND TRANSFORMERS ARE TO FACILITATE CIRCUIT TRACING OR COMPONENT REPLACEMENT AND MAY NOT NECESSARILY BE FOUND ON THE UNIT.

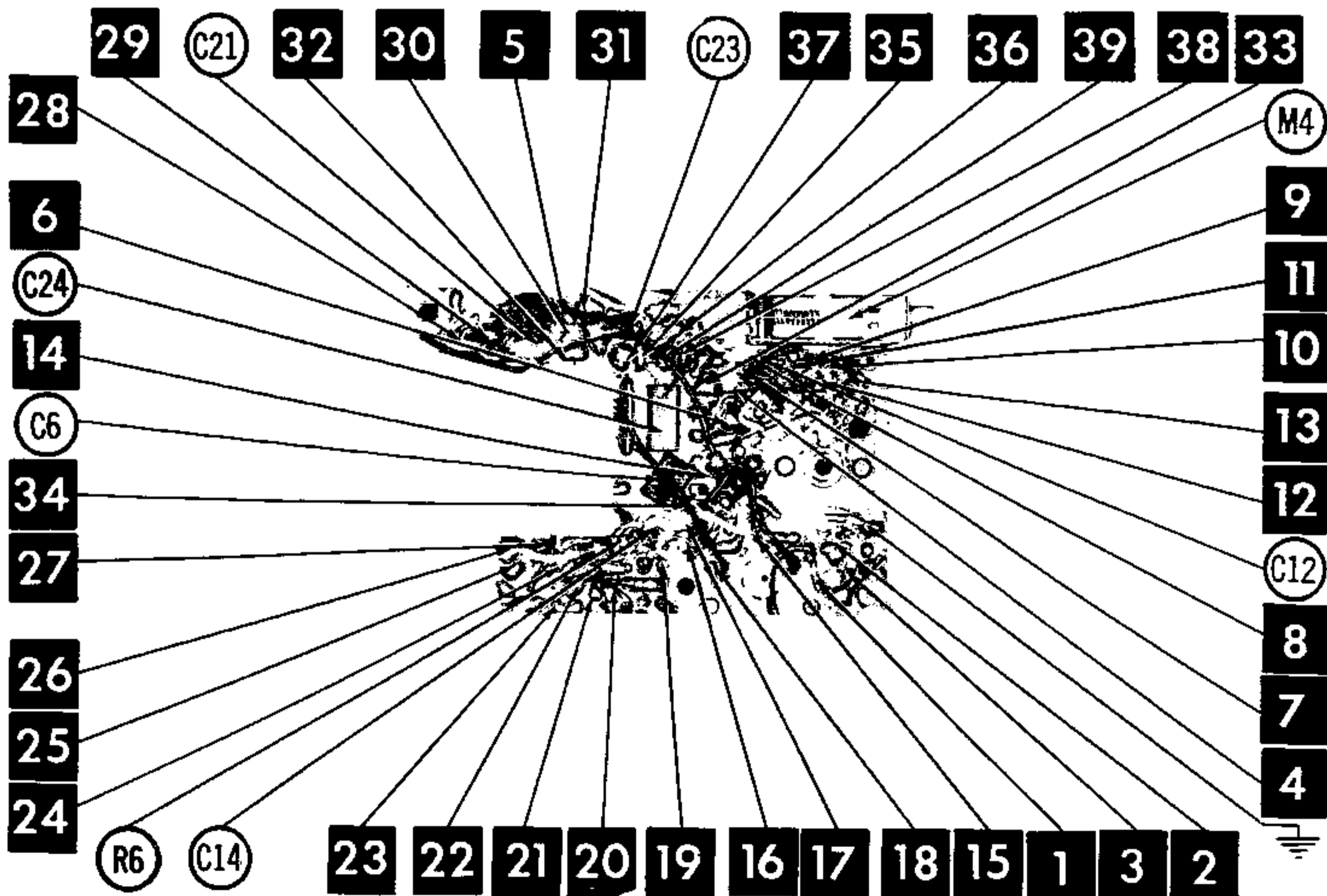
RESISTANCE MEASUREMENTS NOT GIVEN BECAUSE OF THE WIDE VARIATION IN INTERNAL TRANSISTOR RESISTANCE.

DC COIL RESISTANCE VALUES UNDER ONE OHM NOT SHOWN ON SCHEMATIC DIAGRAM
 ARROWS ON CONTROLS INDICATE CLOCKWISE ROTATION (CONTROL VIEWED FROM SHAFT END)





CHASSIS TOP VIEW-RESISTOR, INDUCTOR & TRANSISTOR IDENT.



PARTS LIST

TRANSISTORS

ITEM No.	ORIG. TYPE	USE	REPLACEMENT DATA			NOTES
			RCA PART No.	RAYTHEON PART No.	SYLVANIA PART No.	
X1	2SA60	Converter				PNP
X2	2849	1st IF Amplifier	2N410	2N483		PNP
X3	2853	2nd IF Amplifier	2N410	2N483	2N410	PNP
X4	28B54	AF Amplifier	2N408			PNP
X5	28B54	Driver	2N408			PNP
X6	28B56	Output	2N408			PNP
X7	28B56	Output	2N408			PNP

ELECTROLYTIC CAPACITORS

ITEM No.	RATING		REPLACEMENT DATA						NOTES
	CAP.	VOLT.	TOSHIBA PART No.	AEROVOX PART No.	CORNELL-DUBILIER PART No.	MALLORY PART No.	PYRAMID PART No.	SPRAGUE PART No.	
C1	10	3		PTT-3010	NLW10-8	TT3X10	MLV10-3	TE-1053	
C2	50	10		PTT-10050	NLW50-10	TT10X50	MLV50-10	TE-1119	
C3	10	3		PTT-3010	NLW10-8	TT3X10	MLV10-3	TE-1053	

FIXED CAPACITORS

Capacity values given in the rating column are in mfd. for Paper Capacitors, and in mmfd. for Mica and Ceramic Capacitors.

ITEM No.	RATING	REMARKS	REPLACEMENT DATA					
			AEROVOX PART No.	CENTRALAB PART No.	CORNELL-DUBILIER PART No.	ELMENCO PART No.	MALLORY PART No.	SPRAGUE PART No.
C4	5		NPO-DI 5.0	DTZ-4R7	C10V6C	CCTO-050	CNO-550	10TCC-V50
C5A								
C5B								
C6	20000		C80V203AM	DA-203	H-0582		TA-120	TG-S20
C7	10000		C80V103AM	DM-103	H-0581		TA-110	TG-S10
C8	5000		C80V502AM	DM-502	H-05D5	CCD-502	TA-250	TG-D50
C9	820		SI 820	D6-821	L10T82	CCD-821	GP382	10TS-T82
C10								
C11	300		SI 300	D6-301	L10T3	CCD-301	GP330	10TS-T30
C12	6.8		NPO-DI 6.8	DTZ-6R8	C10V68C		CNO-568	10TCC-V68
C13								
C14	6			DD-060	C10V6C			
C15	50000		C80V503AM	DA-503	H-0585		TA-150	TG-S50
C16	20000		C80V203AM	DA-203	H-0582		TA-120	TG-S20
C17	2		NPO-DI 2.2	DTZ-2R2	C10V2C	CCTO-2R2	CNO-522	10TCC-V22
C18	50000		C80V503AM	DA-503	H-0585		TA-150	TG-S50
C19	10000		C80V103AM	DM-103	H-0581		TA-110	TG-S10
C20	10000		C80V103AM	DM-103	H-0581		TA-110	TG-S10
C21	50000		C80V503AM	DA-503	H-0585		TA-150	TG-S50
C22	50000		C80V503AM	DA-503	H-0585		TA-150	TG-S50

ND DESCRIPTIONS

FIXED CAPACITORS (cont)

ITEM No.	RATING	REMARKS	REPLACEMENT DATA					
			AEROVOX PART No.	CENTRALAB PART No.	CORNELL-DUBILIER PART No.	ELMENCO PART No.	MALLORY PART No.	SPRAGUE PART No.
C23	2000		BPD-002	DM-202	BYA10D2	CCD-202	GP220	5HK-D20
C24	10000		C80V103AM	DM-103	H-0581		TA-110	TG-S10
C25	20000		C80V203AM	DA-203	H-0582		TA-120	TG-S20
C26	20000		C80V203AM	DA-203	H-0582		TA-120	TG-S20

CONTROLS

ITEM No.	RATING		REPLACEMENT DATA				INSTALLATION NOTES	
	RESISTANCE	WATTS	TOSHIBA PART No.	CENTRALAB PART No.	CLAROSTAT PART No.	CTS-IRC PART No.		MALLORY PART No.
R1	5000Ω	1/10						Volume & Switch

RESISTORS

All wattages 1/2 watt, or less, unless otherwise listed.

ITEM No.	RATING	REPLACEMENT DATA			ITEM No.	RATING	REPLACEMENT DATA		
		IRC PART No.	WORKMAN TV PART No.	REMARKS			IRC PART No.	WORKMAN TV PART No.	REMARKS
R2	33K				R12	100K			
R3	6800Ω				R13	5600Ω			
R4	2200Ω				R14	68K			
R5	68K				R15	5600Ω			
R6	5600Ω				R16	1500Ω			
R7	1000Ω				R17	6800Ω			
R8	33K				R18	330Ω			
R9	5600Ω				R19	Temp. Comp.			
R10	1000Ω				R20	15Ω			
R11	6800Ω				R21	220Ω			

COILS (RF-IF)

ITEM No.	USE	REPLACEMENT DATA					NOTES
		TOSHIBA PART No.	Merit PART No.	Miller PART No.	Stancor PART No.	Workman TV PART No.	
L1	Loopstick	20371					
L2	SW Ant.	20410/222					
L3	BC Osc.	153A					
L4	SW Osc.	163					
L5	1st IF	1038					
L6	2nd IF	1039					
L7	3rd IF	1040					

PARTS LIST AND DESCRIPTIONS (Continued)

TRANSFORMER (DRIVER)

ITEM No.	TURNS RATIO		REPLACEMENT DATA					NOTES
			TOSHIBA PART No.	Merit PART No.	Stancor PART No.	Thordarson PART No.	Triad PART No.	
	PRI.	SEC.						
T1	3.5	1	0817A					

TRANSFORMER (AUDIO OUTPUT)

ITEM No.	IMPEDANCE		REPLACEMENT DATA					NOTES
			TOSHIBA PART No.	Merit PART No.	Stancor PART No.	Thordarson PART No.	Triad PART No.	
	PRI.	SEC.						
T2	500Ω CT	8-8Ω	0879A			TR-102①		① Use 8Ω Tap.

SPEAKER

ITEM No.	TYPE			REPLACEMENT DATA		NOTES
				TOSHIBA PART No.	QUAM PART No.	
	SIZE	FIELD	V. C. IMP.			
8P1	2½"	PM	8-8Ω	50118		

BATTERIES

ITEM No.	VOLTAGE	TOSHIBA PART No.	REPLACEMENT DATA						NOTES
			BURGESS		EVEREADY		MALLORY		
			"A"	"B"	"A"	"B"	"A"	"B"	
M1	9V	R008		P8		228		M-1600	

SIGNAL DIODES

ITEM No.	ORIG. TYPE	REPLACEMENT DATA				NOTES
		TOSHIBA PART No.	GENERAL ELECTRIC PART No.	RAYTHEON PART No.	SYLVANIA PART No.	
M2	1N80			1N80	1N80	Detector (Pigtail)

MISCELLANEOUS

ITEM No.	PART NAME	TOSHIBA PART No.	NOTES
M3 M4	Tuning Cap. Switch	30504	2 Gang Band Selector (Slide Type)

WIRING DATA

General-use Unshielded Hook-up Wire Use BELDEN No. 8530 (Solid) Available in Ten Colors
8524 (Stranded) Available in Ten Colors

CHASSIS—TOP VIEW

