

PHOTOFACT® Folder

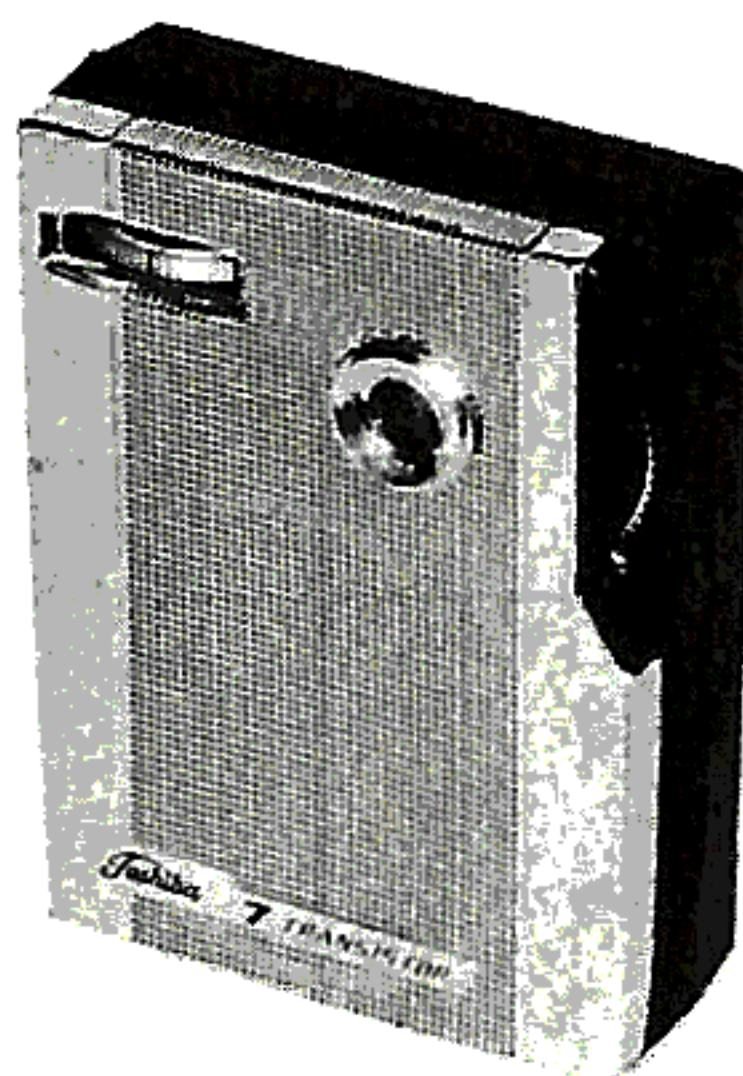
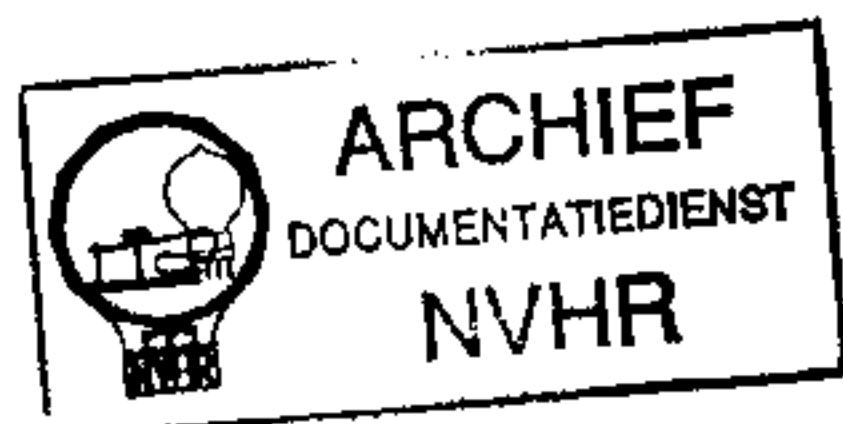
with **CIRCUITRACE**

TOSHIBA MODEL 7TP-30



Met dank aan Jef Bos

Ned. Ver. v. Historie v/d Radio



TRADE NAME	Toshiba Model 7TP-30		
IMPORTER	Transistor World Corp., 52 Broadway, New York 4, N. Y.		
TYPE SET	Battery Operated Transistorized Portable AM Receiver		
POWER SUPPLY	4.5 Volts DC	RATING	5MA @ 4.5 Volts DC (No Signal, Min. Volume)
TUNING RANGE—BROADCAST	540 — 1600KC		10MA @ 4.5 Volts DC (Signal, Normal Volume)

ALIGNMENT INSTRUCTIONS

ALIGNMENT INSTRUCTIONS—READ CAREFULLY BEFORE ATTEMPTING ALIGNMENT

Volume control should be at maximum position. Output of signal generator should be no higher than necessary to obtain an output reading.

Suggested Alignment Tools: A1, A2, A3, A5... GENERAL CEMENT #5004, 5009, 8195, 8274, 8275, 8607, 8728, 8987, 8988, 8989, 9291
 WALSCO #2515, 2520, 2522, 2523, 2531, 2532, 2534, 2537, 2538
 A4, A7..... GENERAL CEMENT #5000, 5003, 5066, 8276, 8290, 9087, 9089
 WALSCO #2512, 2525, 2528

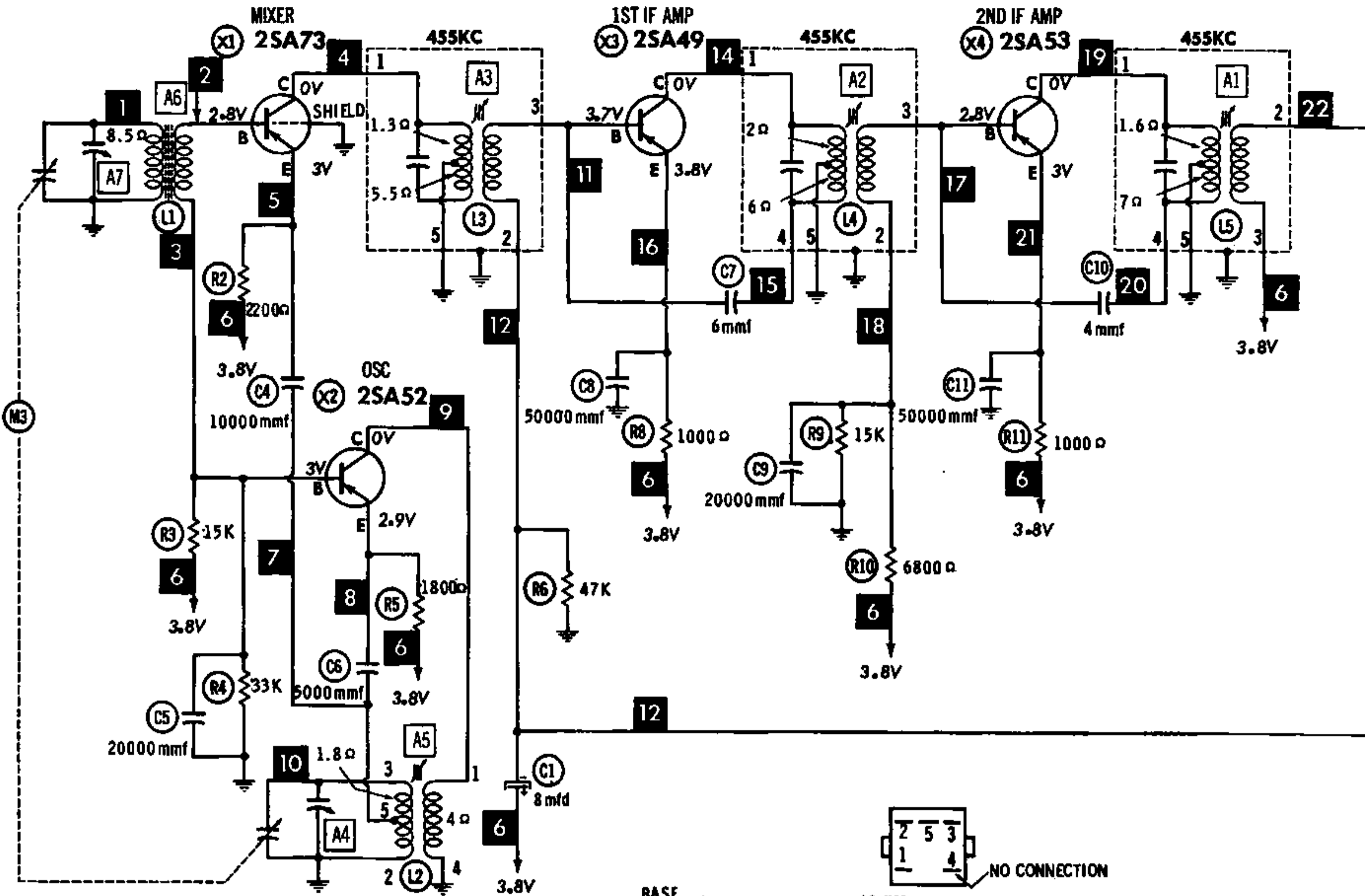
	SIGNAL GENERATOR COUPLING	SIGNAL GENERATOR FREQUENCY	RADIO DIAL SETTING	OUTPUT METER	ADJUST	REMARKS
1.	Loop	455KC (400% Mod.)	Tuning gang fully open.	Across voice coil.	A1, A2, A3	Fashion loop of several turns of wire and radiate signal into loop of receiver. Adjust for maximum output.
2.	"	1600KC	1600KC	"	A4	"
3.	"	600KC	600KC	"	A5, A6	"
4.	"	1400KC	1400KC Signal.	"	A7	Adjust for maximum output. Repeat Steps 2, 3 and 4.

HOWARD W. SAMS & CO., INC. Indianapolis 6, Indiana

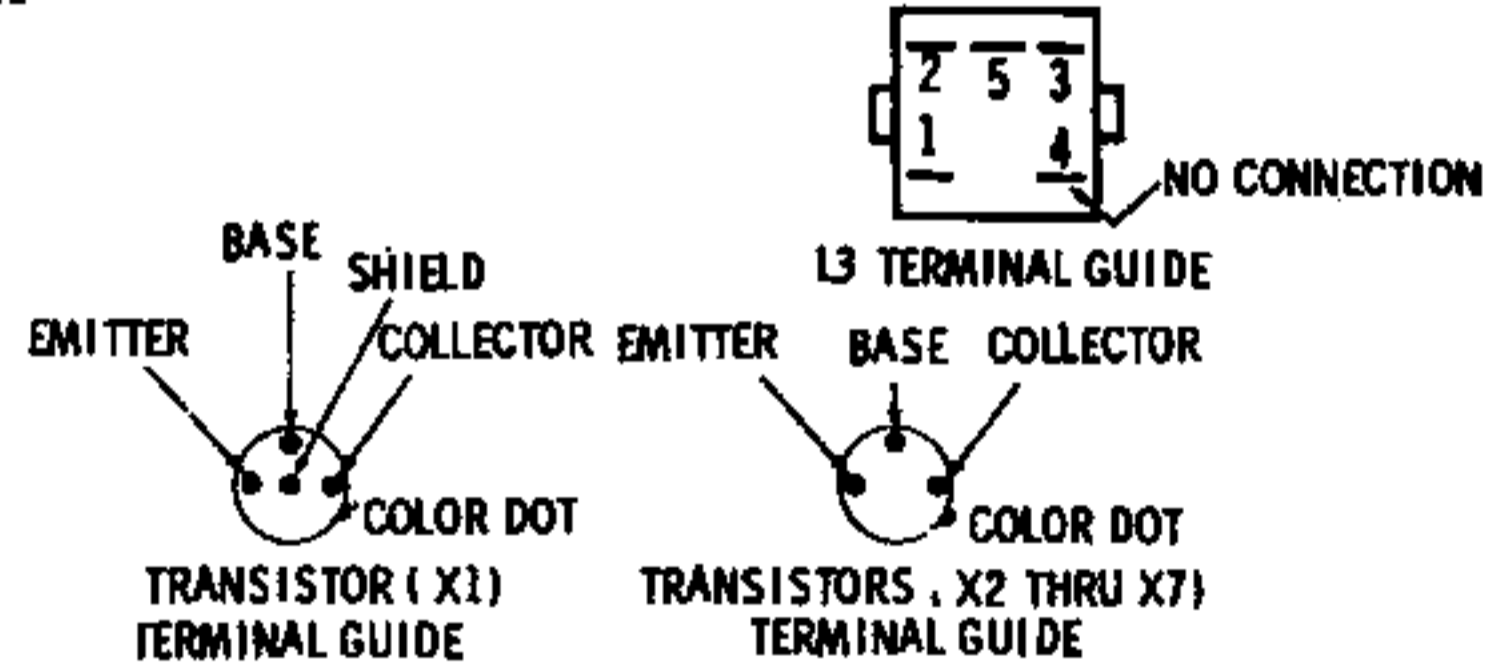


The listing of any available replacement part herein does not constitute in any case a recommendation, warranty or guaranty by Howard W. Sams & Co., Inc., as to the quality and suitability of such replacement part. The numbers of these parts have been compiled from information furnished to Howard W. Sams & Co., Inc., by the manufacturers of KF518

the particular type of replacement part listed. Reproduction or use, without express permission, of editorial or pictorial content, in any manner, is prohibited. No patent liability is assumed with respect to the use of the information contained herein. © 1961 Howard W. Sams & Co., Inc., Indianapolis 6, Indiana. Printed in U.S. of America

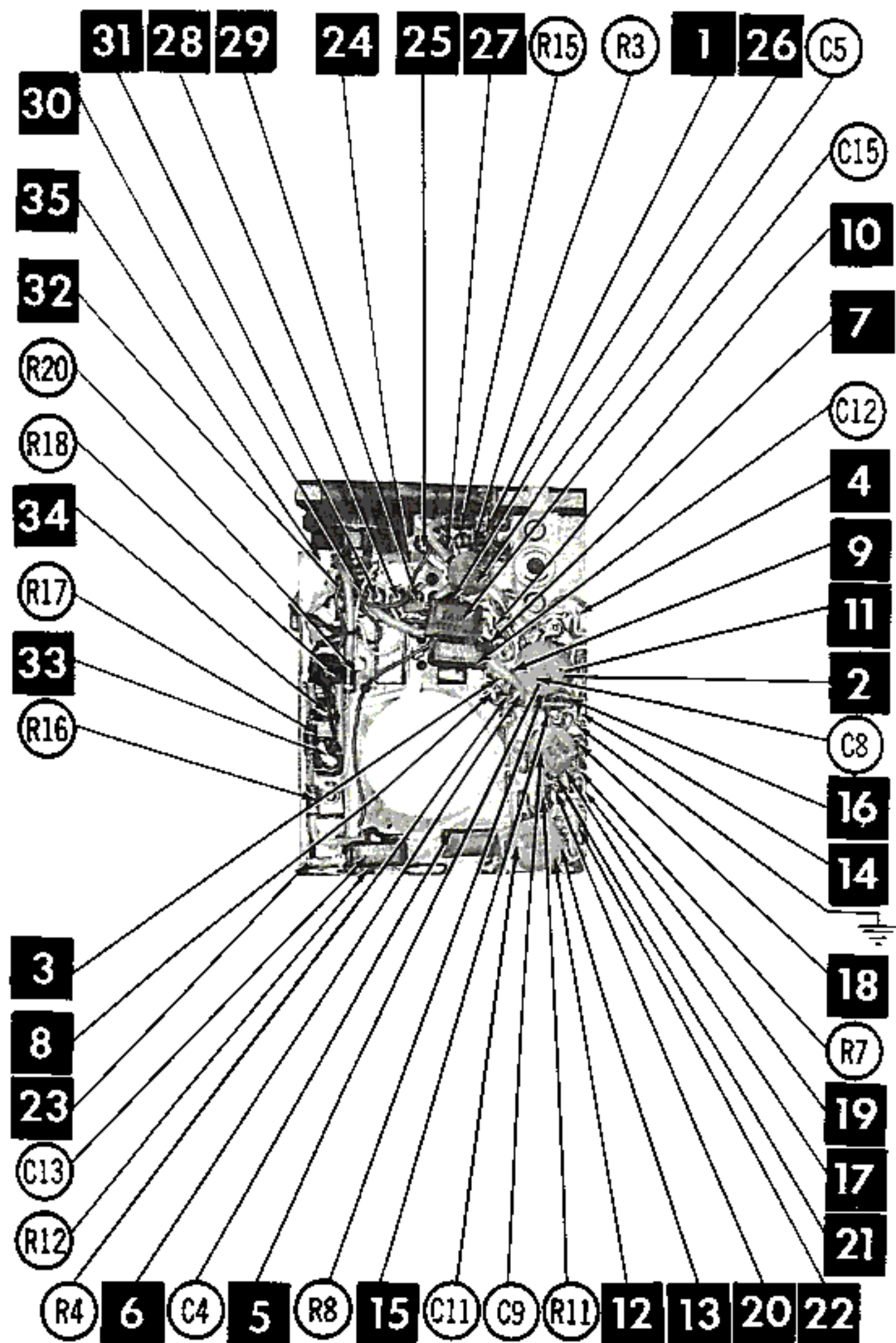


1. DC voltage measurements taken with vacuum tube voltmeter.
2. Socket connections or transistor terminals are shown as bottom views.
3. Measured values are from socket pin or terminal to common ground.
4. Nominal tolerance on component values makes possible a variation of $\pm 15\%$ in voltage and resistance readings.
5. Volume control at maximum, no signal applied for voltage measurements.



RESISTANCE MEASUREMENTS NOT GIVEN BECAUSE OF THE WIDE VARIATION IN INTERNAL TRANSISTOR RESISTANCE.

NUMBERS ASSIGNED TO COILS, SWITCHES, PLUGS, SOCKETS, AND TRANSFORMERS ARE TO FACILITATE CIRCUIT TRACING OR COMPONENT REPLACEMENT AND MAY NOT NECESSARILY BE FOUND ON THE UNIT.



TRANSISTORS

ITEM No.	ORIG. TYPE	USE	REPLACEMENT DATA			NOTES
			RCA PART No.	RAYTHEON PART No.	SYLVANIA PART No.	
X1	2SA73	Mixer				PNP
X2	2SA52	Oscillator				PNP
X3	2SA49	1st IF Amplifier	2N410			PNP
X4	2SA53	2nd IF Amplifier	2N410			PNP
X5	2SB54	Driver	2N406			PNP
X6	2SB56	Output	2N408			PNP
X7	2SB56	Output	2N408			PNP

ELECTROLYTIC CAPACITORS

ITEM No.	RATING		REPLACEMENT DATA					NOTES
	CAP.	VOLT.	TOSHIBA PART No.	AEROVOX PART No.	CORNELL-DUBILIER PART No.	MALLORY PART No.	PYRAMID PART No.	
C1	8	5			NLW8-10	TT6X8		
C2	1	10			NLW1-50	TT12X1		
C3A	20	5						
B	50	5						

FIXED CAPACITORS

Capacity values given in the rating column are in mfd. for Paper Capacitors, and in mmfd. for Mica and Ceramic Capacitors.

ITEM No.	RATING	REMARKS	REPLACEMENT DATA					
			AEROVOX PART No.	CENTRALAB PART No.	CORNELL-DUBILIER PART No.	ELMENCO PART No.	MALLORY PART No.	SPRAGUE PART No.
C4	10000		C80V103AM	DM-103	H-05S1		TA-110	TG-S10
C5	20000		C80V203AM	DA-203	H-05S2		TA-120	TG-S20
C6	5000		C80V502AM	DM-502	H-05D5	CCD-502	TA-250	TG-D50
C7	6				C10V6C			
C8	50000		C80V503AM	DA-503	H-05S5		TA-150	TG-S50
C9	20000		C80V203AM	DA-203	H-05S2		TA-120	TG-S20
C10	4				C10V4C			
C11	50000		C80V503AM	DA-503	H-05S5		TA-150	TG-S50
C12	10000		C80V103AM	DM-103	H-05S1		TA-110	TG-S10
C13	10000		C80V103AM	DM-103	H-05S1		TA-110	TG-S10
C14	5000		C80V502AM	DM-502	H-05D5	CCD-502	TA-250	TG-D50
C15	20000		C80V203AM	DA-203	H-05S2		TA-120	TG-S20

ID DESCRIPTIONS

CONTROLS

ITEM No.	RATING		REPLACEMENT DATA					INSTALLATION NOTES
	RESISTANCE	WATTS	TOSHIBA PART No.	CENTRALAB PART No.	CLAROSTAT PART No.	CTS-IRC PART No.	MALLORY PART No.	
R1	5000Ω	1/10	40572					Volume & Switch

RESISTORS

All wattages 1/2 watt, or less, unless otherwise listed.

ITEM No.	RATING	REPLACEMENT DATA			ITEM No.	RATING	REPLACEMENT DATA		
		IRC PART No.	WORKMAN TV PART No.	REMARKS			IRC PART No.	WORKMAN TV PART No.	REMARKS
R2	2200Ω				R12	470Ω			
R3	15K				R13	18K			
R4	33K				R14	5600Ω			
R5	1800Ω				R15	1000Ω			
R6	47K				R16	3300Ω			
R7	6800Ω				R17	330Ω			
R8	1000Ω				R18	Temp. Comp.			
R9	15K				R19	22Ω			
R10	6800Ω				R20	220Ω			
R11	1000Ω								

COILS (RF-IF)

ITEM No.	USE	REPLACEMENT DATA					NOTES
		TOSHIBA PART No.	Merit PART No.	Miller PART No.	Stancor PART No.	Workman TV PART No.	
L1	Loopstick						
L2	Osc.						
L3	1st IF						
L4	2nd IF						
L5	3rd IF						

TRANSFORMER (DRIVER)

ITEM No.	TURNS RATIO		REPLACEMENT DATA					NOTES
	PRI.	SEC.	TOSHIBA PART No.	Merit PART No.	Stancor PART No.	Thordarson PART No.	Triad PART No.	
T1	1	1	0415A			TR-38		

PARTS LIST AND DESCRIPTIONS (Continued)

TRANSFORMER (AUDIO OUTPUT)

ITEM No.	IMPEDANCE		REPLACEMENT DATA				NOTES
			TOSHIBA PART No.	Merit PART No.	Stancor PART No.	Thordarson PART No.	
	PRI.	SEC.					
T2	7000 CT	6-8Ω	0482A				

SPEAKER

ITEM No.	TYPE			REPLACEMENT DATA		NOTES
	SIZE	FIELD	V. C. IMP.	TOSHIBA PART No.	QUAM PART No.	
SP1	2"	PM	6-8Ω	50114		

BATTERIES

ITEM No.	VOLTAGE	TOSHIBA PART No.	REPLACEMENT DATA						NOTES
			BURGESS		EVEREADY		MALLORY		
			"A"	"B"	"A"	"B"	"A"	"B"	
M1	1.5V	UM-5 *		N *		904 *		M-910R *	* 3 Required

SIGNAL DIODES

ITEM No.	ORIG. TYPE	REPLACEMENT DATA				NOTES
		TOSHIBA PART No.	GENERAL ELECTRIC PART No.	RAYTHEON PART No.	SYLVANIA PART No.	
M2	1N60			1N60	1N60	Detector (Pigtall)

MISCELLANEOUS

ITEM No.	PART NAME	TOSHIBA PART No.	NOTES
M3	Tuning Cap.		2 Gang

WIRING DATA

General-use Unshielded Hook-up Wire Use BELDEN No. 8530 (Solid) Available in Ten Colors
8524 (Stranded) Available in Ten Colors

CHASSIS—TOP VIEW

