

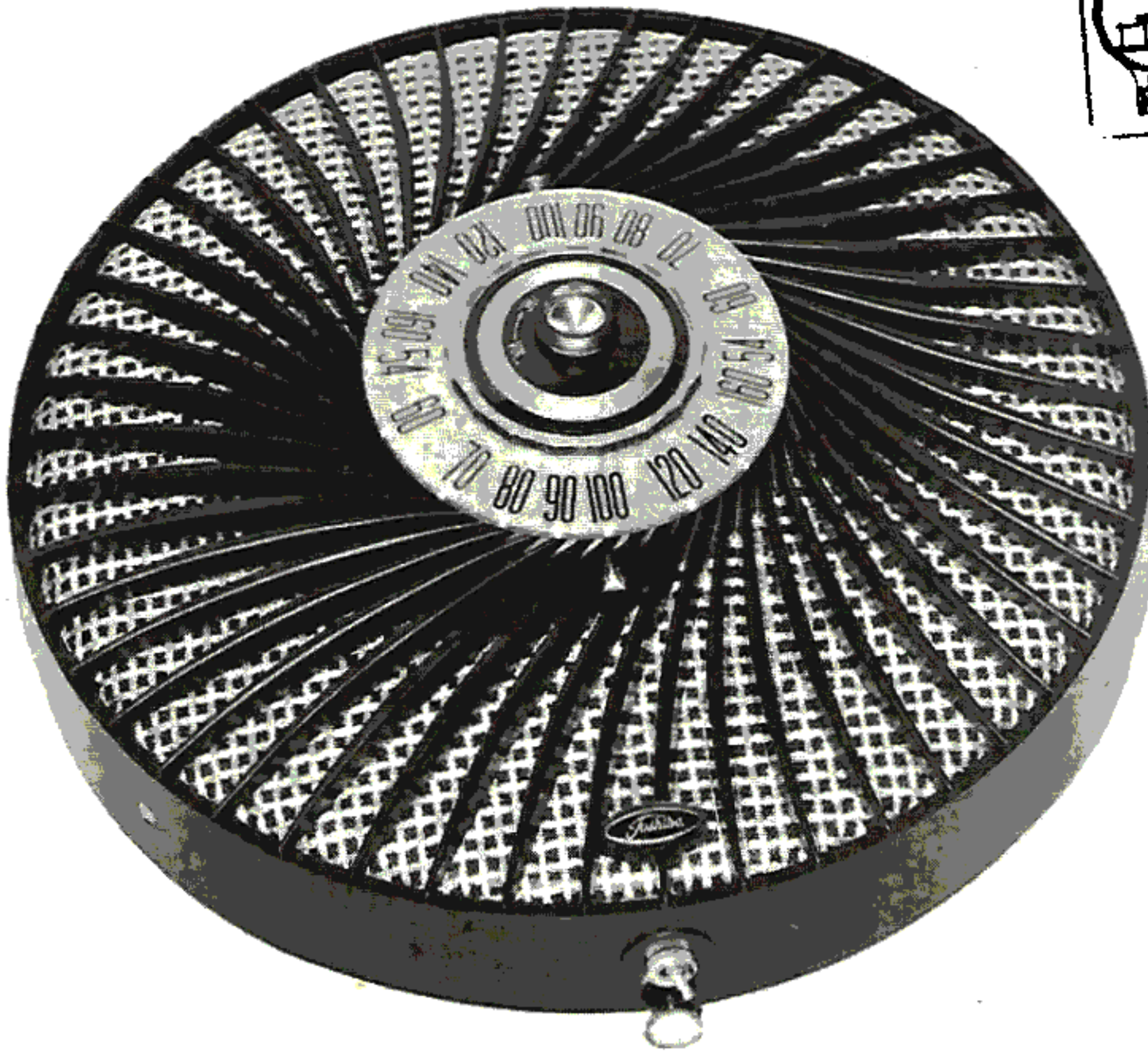
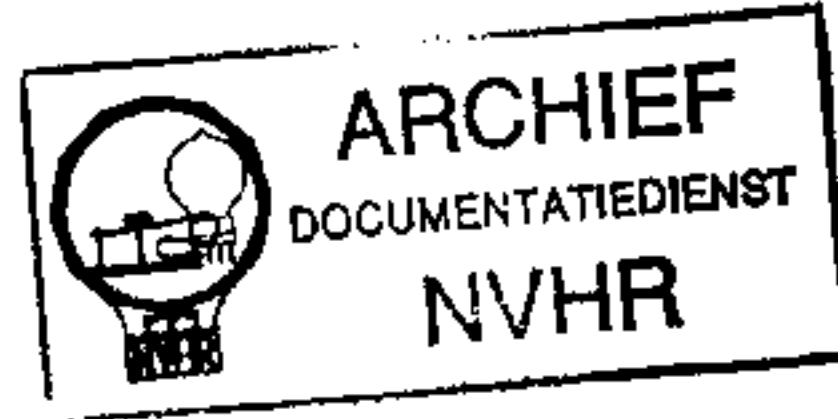
PHOTOFACT® Folder

with CIRCUITRACE™

TOSHIBA MODELS
7TH-425, 7TH-425Y



Ned. Ver. v. Historie v/d Radio



Met dank aan Jef Bos

TRADE NAME	Toshiba Models 7TH-425, 7TH-425Y		
IMPORTER	Transistor World Corp., 52 Broadway, New York 4, N. Y.		
TYPE SET	Battery Operated Transistorized AM Radio		
POWER SUPPLY	6 Volts DC	RATING	17MA @ 6 Volts DC (No Signal, Min. Volume)
TUNING RANGE—BROADCAST	540 - 1600KC		25MA @ 6 Volts DC (No Signal, Min. Volume)

ALIGNMENT INSTRUCTIONS

ALIGNMENT INSTRUCTIONS—READ CAREFULLY BEFORE ATTEMPTING ALIGNMENT

Volume control should be at maximum position. Output of signal generator should be no higher than necessary to obtain an output reading.

Suggested Alignment Tools: A1, A2, A3, A5... GENERAL CEMENT #5004, 5009, 8195, 8274, 8275, 8607, 8728, 8987, 8988, 8989, 9291
WALSCO #2515, 2520, 2522, 2523, 2531, 2532, 2534, 2537, 2538
A4, A6..... GENERAL CEMENT #5004, 5008, 5009
WALSCO #2520

	SIGNAL GENERATOR COUPLING	SIGNAL GENERATOR FREQUENCY	RADIO DIAL SETTING	OUTPUT METER	ADJUST	REMARKS
1.	Fashion loop of several turns of wire and radiate signal into loop of receiver. Adjust for maximum output.	455KC (400% Mod.)	Tuning gang fully open.	Across voice coil.	A1, A2, A3	Adjust for maximum output.
2.	"	1600KC	1600KC	"	A4	"
3.	"	600KC	600KC	"	A5	"
4.	"	1400KC	1400KC	"	A6	Adjust for maximum output. Repeat Steps 2, 3 and 4.

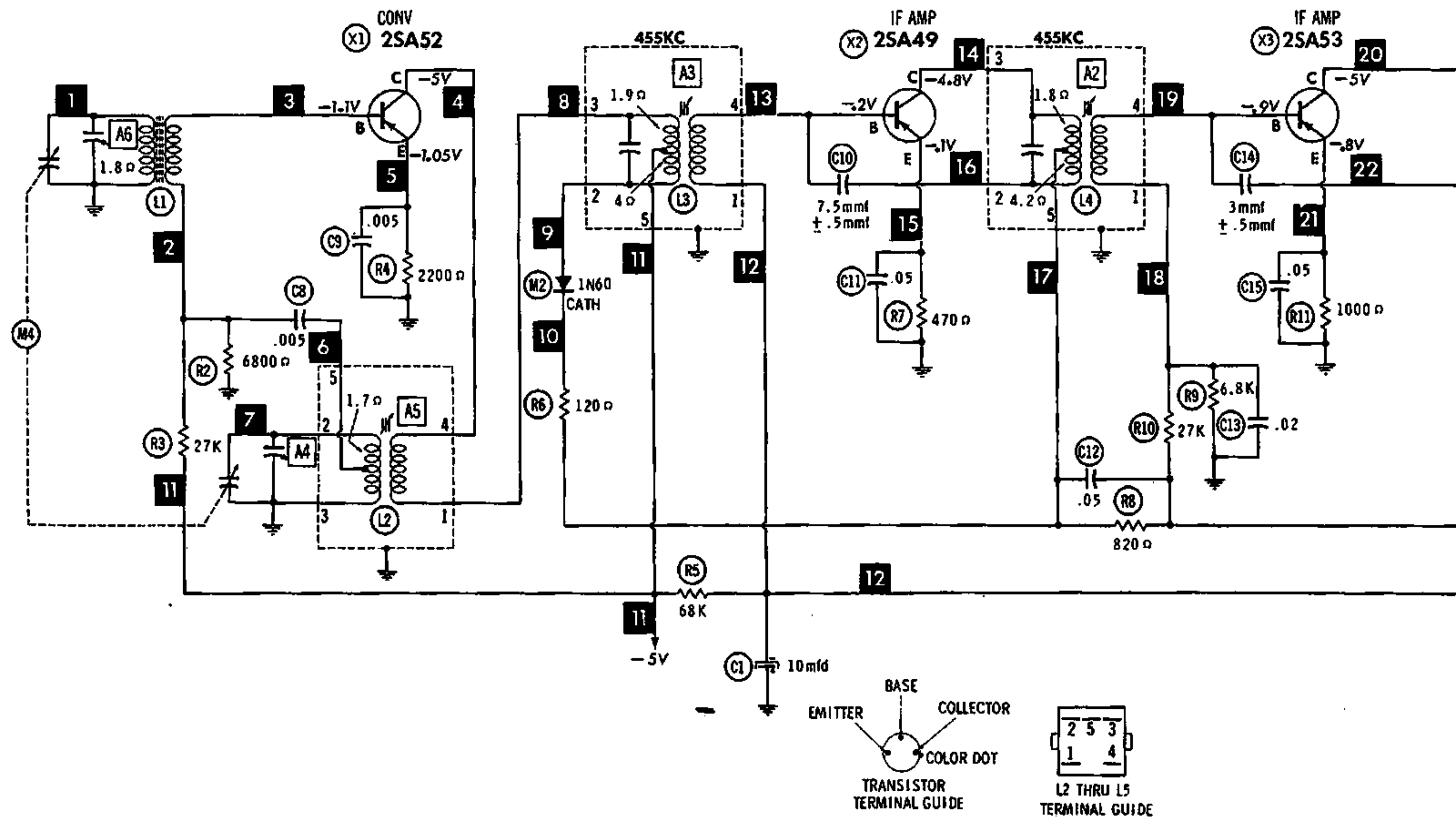
HOWARD W. SAMS & CO., INC. Indianapolis 6, Indiana

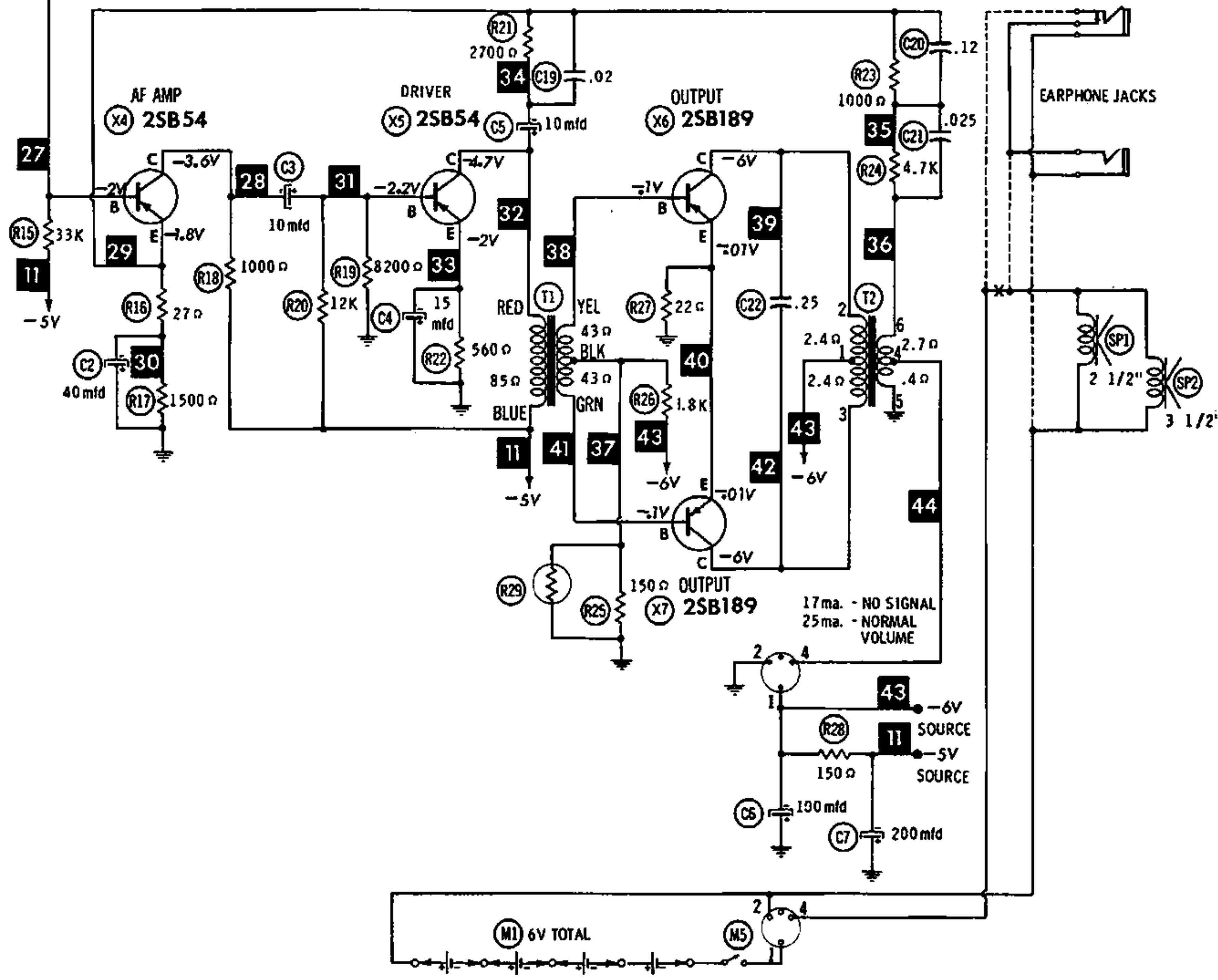
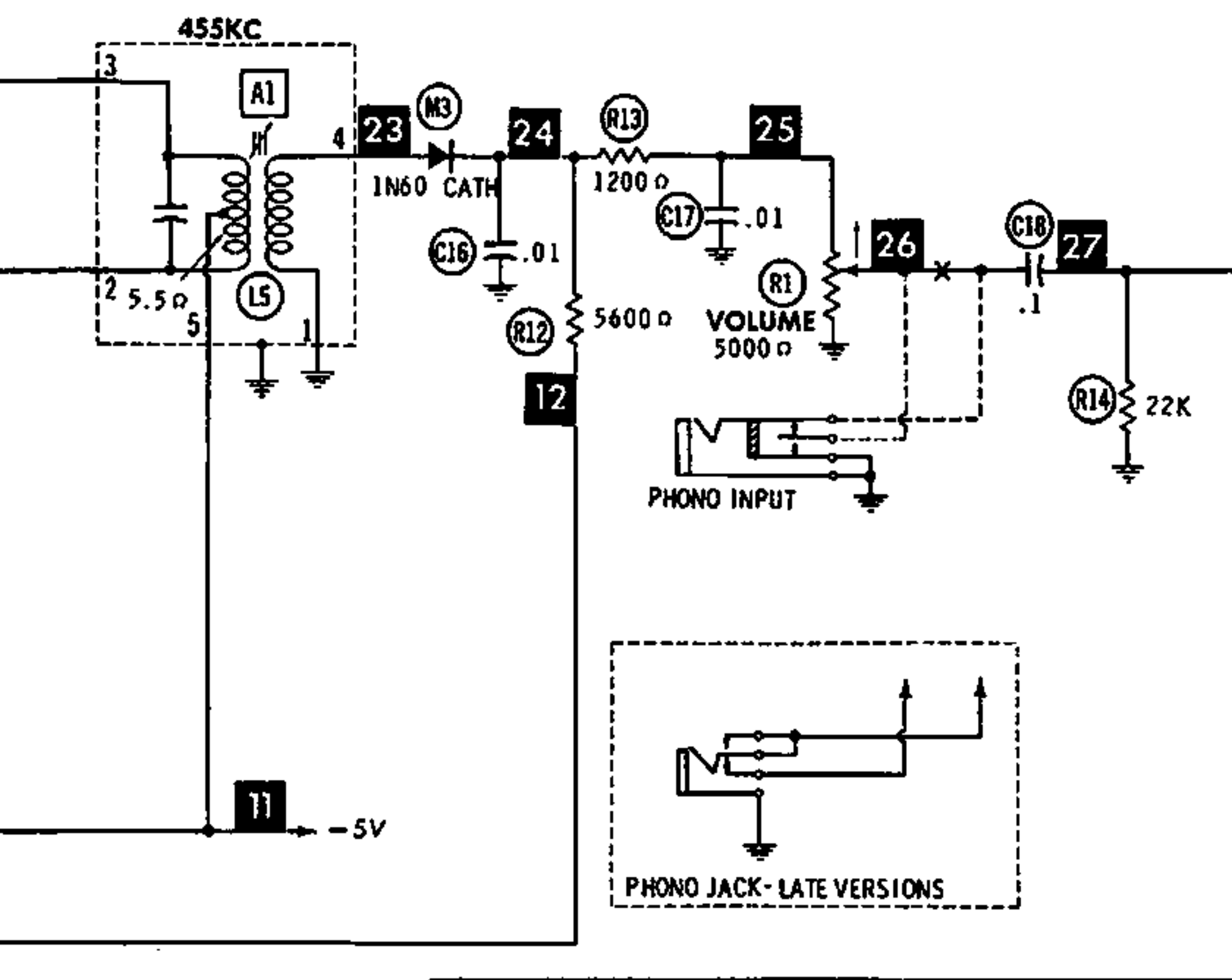
The listing of any available replacement part herein does not constitute in any case a recommendation, warranty or guaranty by Howard W. Sams & Co., Inc., as to the quality and suitability of such replacement part. The numbers of these parts have been compiled from information furnished to Howard W. Sams & Co., Inc., by the manufacturers of

the particular type of replacement part listed. Reproduction or use, without express permission, of editorial or pictorial content, in any manner, is prohibited. No patent liability is assumed with respect to the use of the information contained herein. © 1961 Howard W. Sams & Co., Inc., Indianapolis 6, Indiana. Printed in U.S. of America

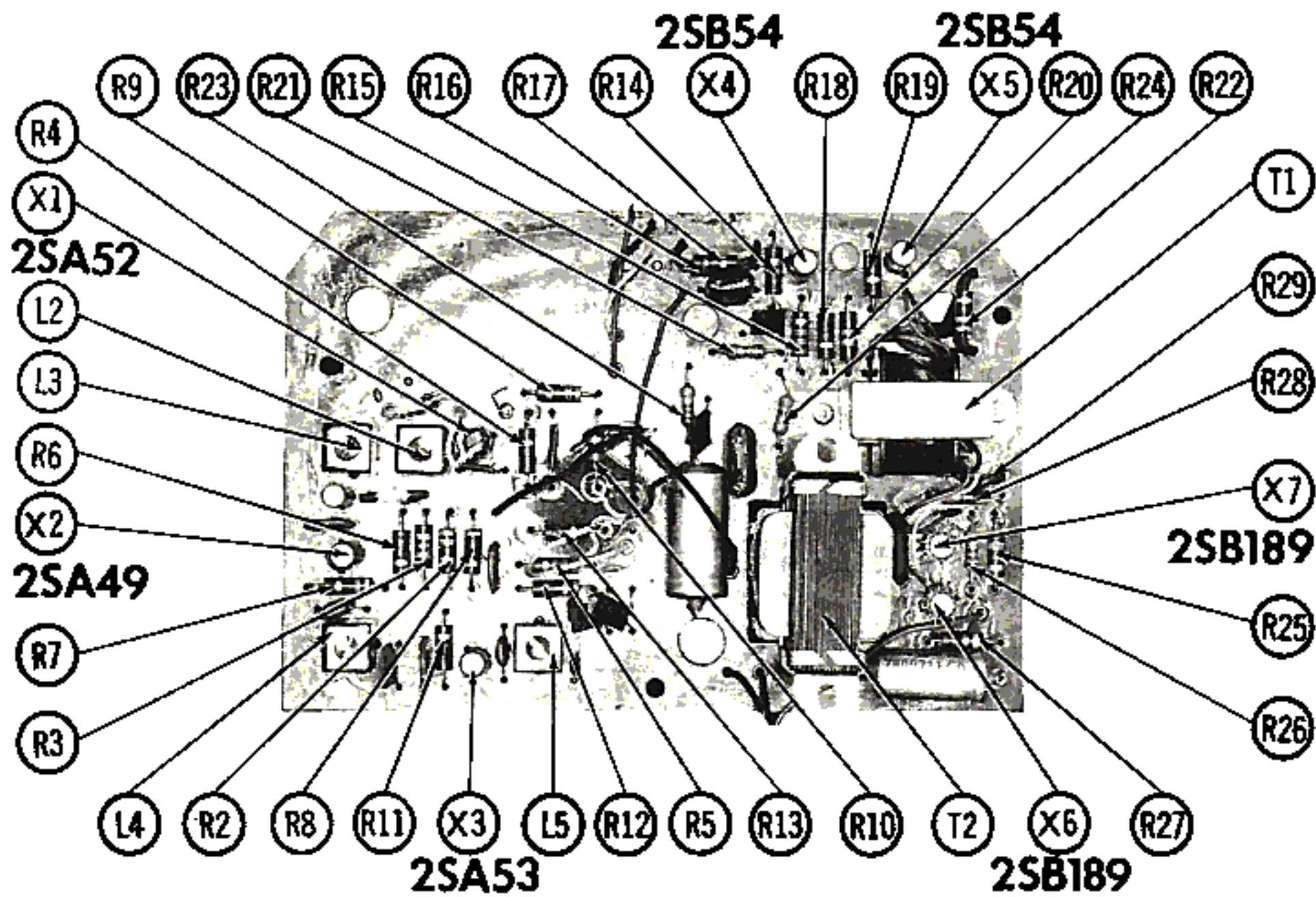


KT748

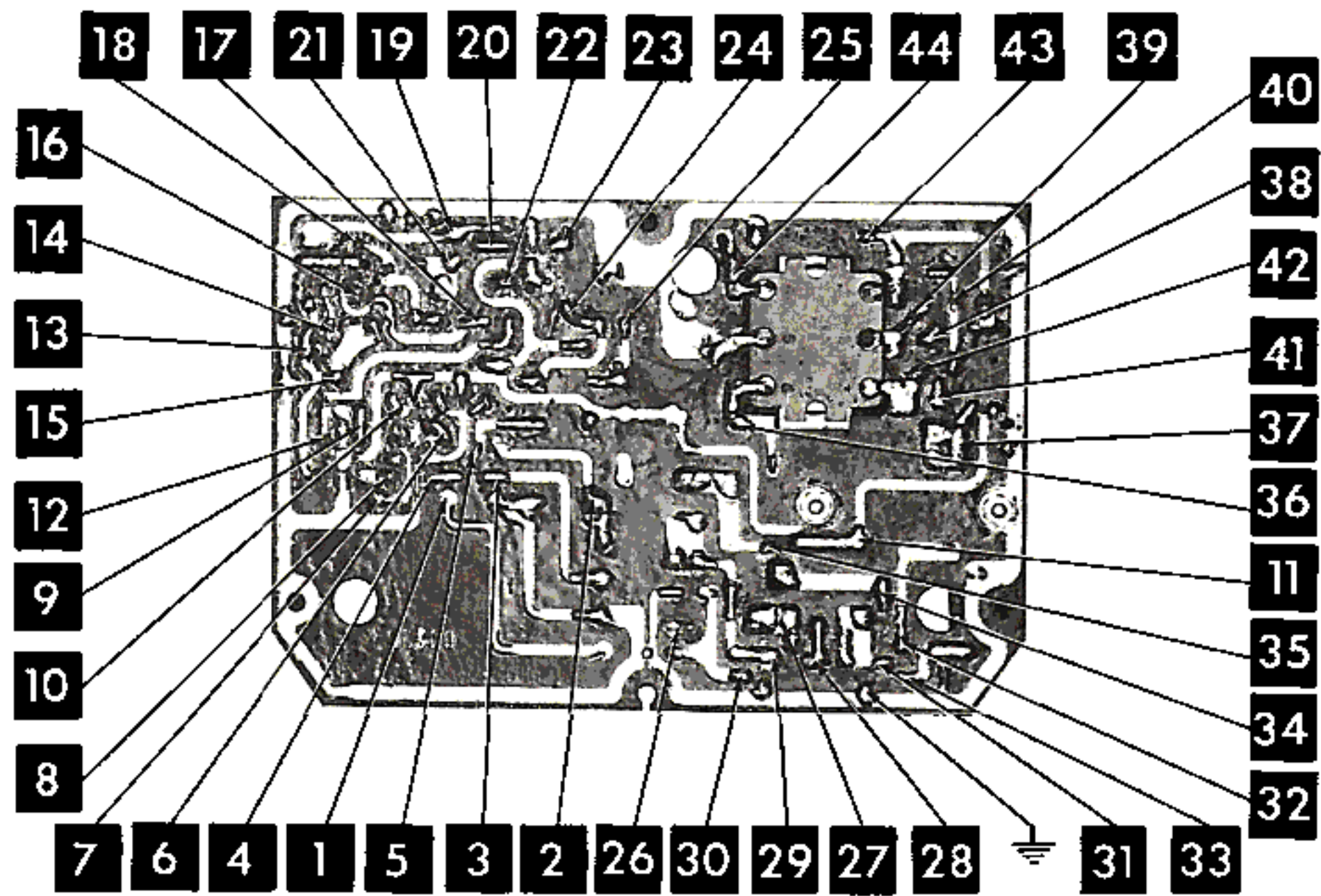




TOSHIBA MODELS
7TH-425, 7TH-425Y



CHASSIS TOP VIEW - RESISTOR, INDUCTOR & TRANSISTOR IDENT.



PARTS LIST

TRANSISTORS

ITEM No.	ORIG. TYPE	USE	REPLACEMENT DATA		NOTES
			RCA PART No.	RAYTHEON PART No.	
X1	2SA52	Converter	2N412	2N486	PNP
X2	2SA49	1st IF Amplifier	2N410	2N483	PNP
X3	2SA53	2nd IF Amplifier	2N410	2N484	PNP
X4	2SB54	AF Amplifier	2N406	2N362	PNP
X5	2SB54	Driver	2N406	2N362	PNP
X6	2SB189	Output	2N408	2N633	PNP
X7	2SB189	Output	2N408	2N633	PNP

ELECTROLYTIC CAPACITORS

ITEM No.	RATING		REPLACEMENT DATA					NOTES
	CAP.	VOLT.	TOSHIBA PART No.	AEROVOX PART No.	CORNELL-DUBILIER PART No.	MALLORY PART No.	PYRAMID PART No.	
C1	10	3	3U10A	BCD3010	ECPB408	PET1340	MLV10-3	VL-1038
C2	40	3	3U40A	BCD3035	ECPB114	PET140	MLV40-3	VL-1045
C3	10	10	10U10A	BCD10010	ECPB408	PET1340	MLV10-10	VL-1127
C4	15	6	6U15A	BCD6015	ECPB408	PET1570	MLV15-6	VL-1088
C5	10	3	3U10A	BCD3010	ECPB408	PET1340	MLV10-3	VL-1038
C6	100	6	06T-100	PTT30	NLW100-6	TT6X100	MLV100-6	TE-1102
C7	200	6	06T-200	PTT31	NLW200-12	TC1502	MLV200-6	TE-1104

FIXED CAPACITORS

ITEM No.	RATING	REMARKS	REPLACEMENT DATA					
			AEROVOX PART No.	CENTRALAB PART No.	CORNELL-DUBILIER PART No.	ELMENCO PART No.	MALLORY PART No.	SPRAGUE PART No.
C8	.005		BPD-005	DD-502	BYA10D5	CCD-502	B-250	5HK-D50
C9	.005		BPD-005	DD-502	BYA10D5	CCD-502	B-250	5HK-D50
C10	7.5 \pm .5mmf				C10V8C			
C11	.05		BPD-05	DD-503	H-05S5	IDP-2-503	GP150	5HK-S50
C12	.05		BPD-05	DD-503	H-05S5	IDP-2-503	GP150	5HK-S50
C13	.02		BPD-02	DD-203	BYB6S2	CCD-203	B-120	5HK-S20
C14	3 \pm .5mmf		NPO-DI 3.0	DTZ-3R3	C10V3C	CCTO-3R3	CNO-533	10TCC-V33
C15	.05		BPD-05	DD-503	H-05S5	IDP-2-503	GP150	5HK-S50
C16	.01		BPD-01	DD-103	BYA10S1	CCD-103	B-110	5HK-S10
C17	.01		BPD-01	DD-103	BYA10S1	CCD-103	B-110	5HK-S10
C18	.1			DF-104	H-05P1	IDP-2-104	TA-010	TG-P10
C19	.02		BPD-02	DD-203	BYB6S2	CCD-203	B-120	5HK-S20
C20	.12							
C21	.025				H-05S25	IDP-1-253	TA-125	5HK-S25
C22	.25				DPMS2P25	IDP-3-254		

ND DESCRIPTIONS

CONTROLS

ITEM No.	RATING		REPLACEMENT DATA				INSTALLATION NOTES
	RESISTANCE	WATTS	TOSHIBA PART No.	CENTRALAB PART No.	CLAROSTAT PART No.	CTS-IRC PART No.	
R1	5000Ω	1/2					Volume

RESISTORS

All wattages 1/2 watt, or less, unless otherwise listed.

ITEM No.	RATING	REPLACEMENT DATA			ITEM No.	RATING	REPLACEMENT DATA		
		IRC PART No.	WORKMAN TV PART No.	REMARKS			IRC PART No.	WORKMAN TV PART No.	REMARKS
R2	6800Ω				R16	27Ω			
R3	27K				R17	1500Ω			
R4	2200Ω				R18	1000Ω			
R5	68K				R19	8200Ω			
R6	120Ω				R20	12K			
R7	470Ω				R21	2700Ω			
R8	820Ω				R22	560Ω			
R9	6800Ω				R23	1000Ω			
R10	27K				R24	4700Ω			
R11	1000Ω				R25	150Ω			
R12	5600Ω				R26	1800Ω			
R13	1200Ω				R27	22Ω			
R14	22K				R28	150Ω			
R15	33K				R29	Temp. Comp.			Pt. #M-8602

COILS (RF-IF)

ITEM No.	USE	REPLACEMENT DATA					NOTES
		TOSHIBA PART No.	Merit PART No.	Miller PART No.	Stancor PART No.	Workman TV PART No.	
L1	Loopstick	LH-234					
L2	Osc.	LH-188					
L3	1st IF	IT-1063					
L4	2nd IF	IT-1033A					
L5	3rd IF	IT-1034A					

TRANSFORMER (DRIVER)

ITEM No.	TURNS RATIO		REPLACEMENT DATA					NOTES
	PRI.	SEC.	TOSHIBA PART No.	Merit PART No.	Stancor PART No.	Thordarson PART No.	Triad PART No.	
T1	1	1	DT-0937A					

PARTS LIST AND DESCRIPTIONS (Continued)

TRANSFORMER (AUDIO OUTPUT)

ITEM No.	IMPEDANCE		REPLACEMENT DATA					NOTES
			TOSHIBA PART No.	Merit PART No.	Stancor PART No.	Thordarson PART No.	Triad PART No.	
	PRI.	SEC.						
T2	150Ω CT	6-8Ω CT	MT-12100					

SPEAKER

ITEM No.	TYPE			REPLACEMENT DATA		NOTES
				TOSHIBA PART No.	QUAM PART No.	
	SIZE	FIELD	V. C. IMP.			
SP1	3½"	PM	6-8Ω	SP-3503B		
SP2	3½"	PM	6-8Ω	SP-3503B		

BATTERIES

ITEM No.	VOLTAGE	TOSHIBA PART No.	REPLACEMENT DATA						NOTES
			BURGESS		EVEREADY		MALLORY		
			"A"	"B"	"A"	"B"	"A"	"B"	
M1	1.5V	UM-1		230		A100		M-14R	4 Required

SIGNAL DIODES

ITEM No.	ORIG. TYPE	REPLACEMENT DATA			NOTES
		TOSHIBA PART No.	GENERAL ELECTRIC PART No.	RAYTHEON PART No.	
M2	1N60			1N60	Overload (Pigtail) Detector (Pigtail)
M3	1N60			1N60	

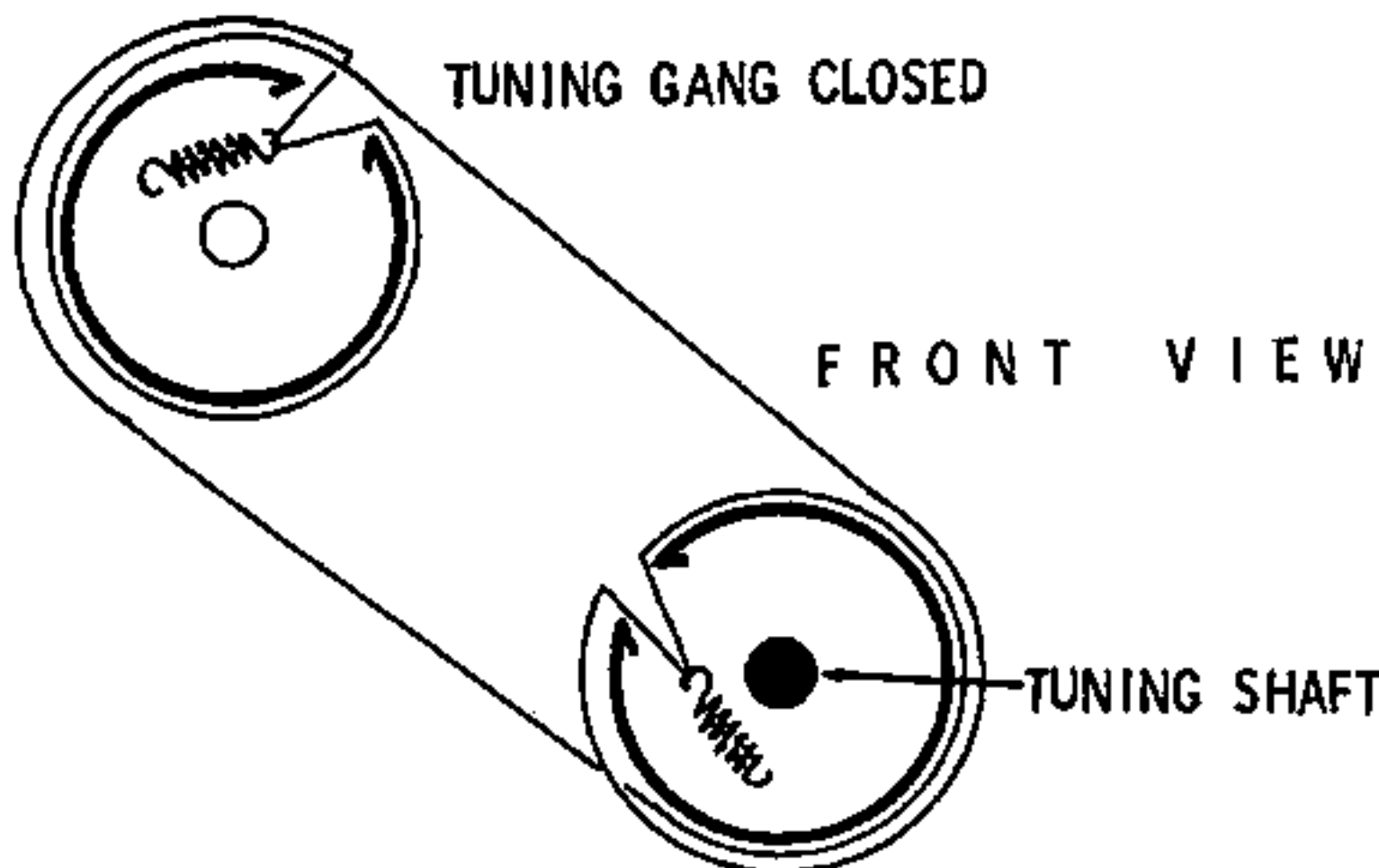
MISCELLANEOUS

ITEM No.	PART NAME	TOSHIBA PART No.	NOTES
M4 M5	Tuning Cap. Switch		2 Gang Power Off-On

WIRING DATA

General-use Unshielded Hook-up Wire Use BELDEN No. 8530 (Solid) Available in Ten Colors
8524 (Stranded) Available in Ten Colors

DRIVE CORD STRINGING



CHASSIS—TOP VIEW

