

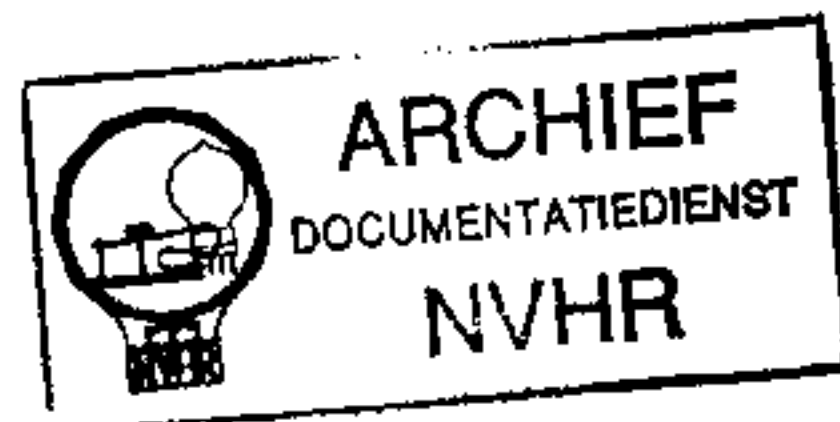
PHOTOFACT® Folder

with **CIRCUITRACE**

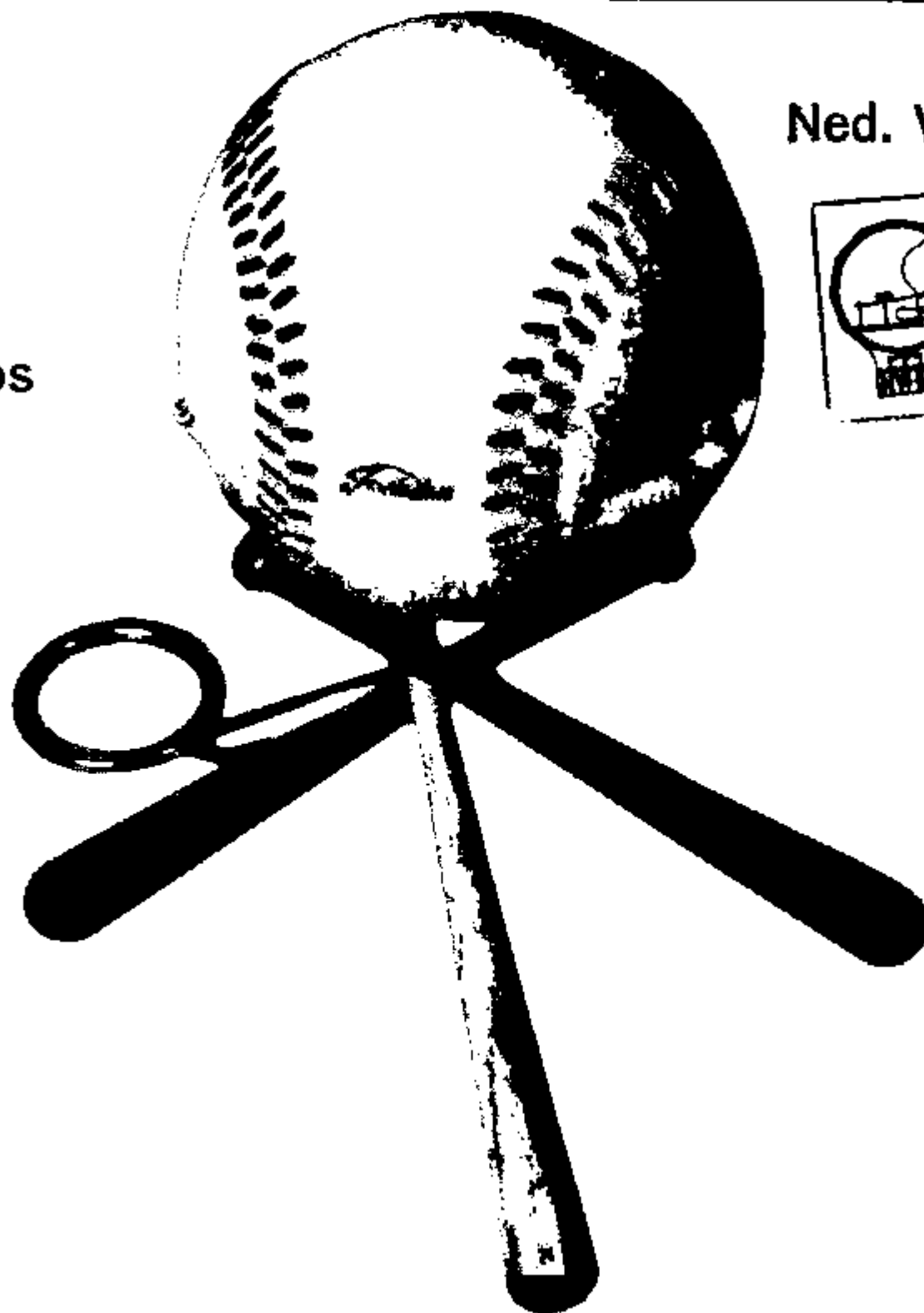
TOSHIBA MODEL 6TP-515



Ned. Ver. v. Historie v/d R



Met dank aan Jef Bos



TRADE NAME	Toshiba Model 6TP-515		
IMPORTER	Transistor World Corp., 513 W. 24th Street, New York 11, N. Y.		
TYPE SET	Battery Operated 6 Transistor AM Receiver		
POWER SUPPLY	9 Volts DC	RATING	6MA @ 9 Volts DC (No Signal, Min. Volume)
TUNING RANGE—BROADCAST	540 — 1600KC		10MA @ 9 Volts DC (Signal, Normal Volume)

ALIGNMENT INSTRUCTIONS

ALIGNMENT INSTRUCTIONS—READ CAREFULLY BEFORE ATTEMPTING ALIGNMENT

Use only enough generator output to provide a usable indication.

Suggested Alignment Tools:

- A1, A2, A3, A5..... GENERAL CEMENT #5097, 8727
WALSCO #2515
- A4, A6..... GENERAL CEMENT #5000, 5003, 5066, 8276, 8290, 9087, 9089
WALSCO #2512, 2525, 2528

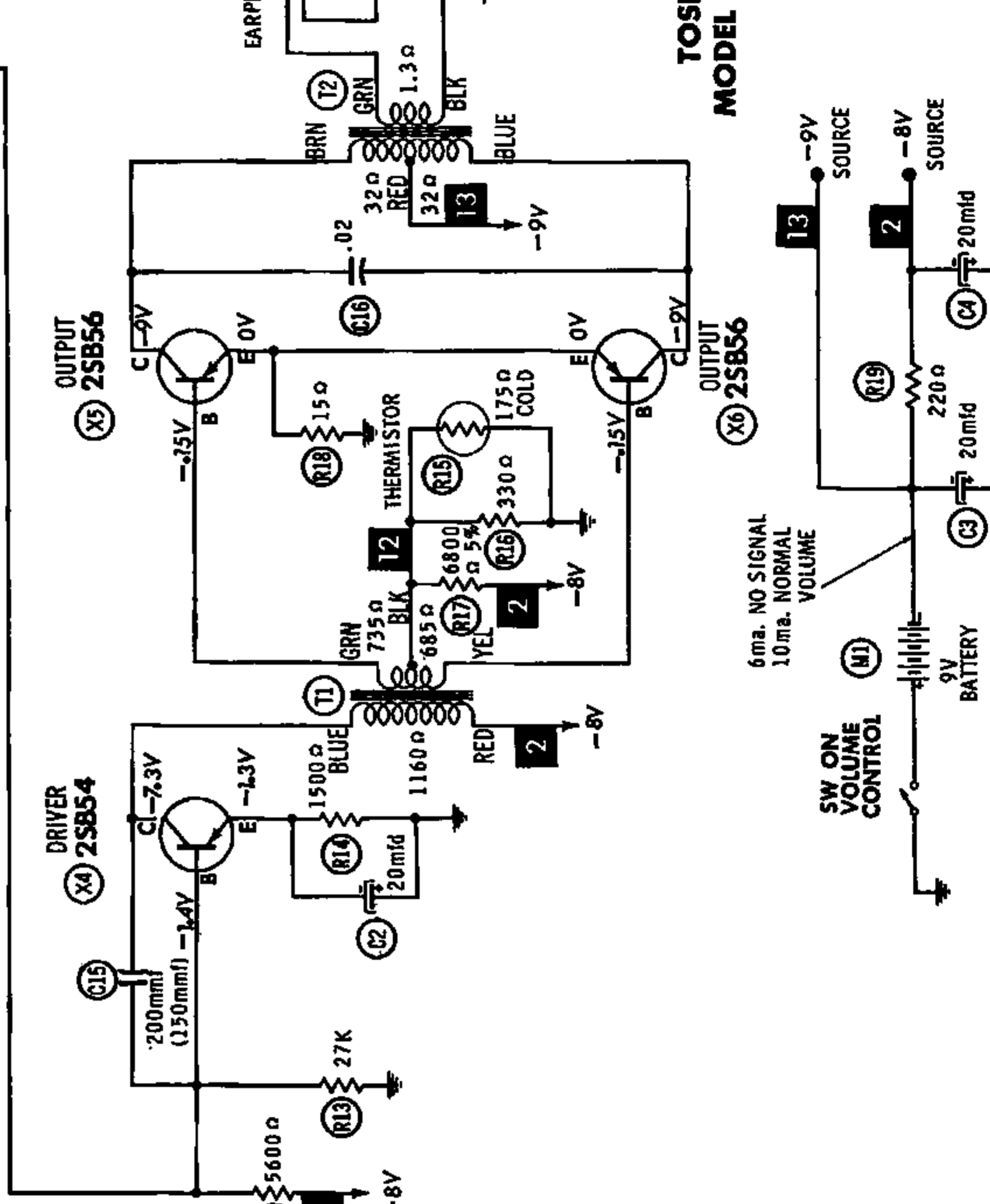
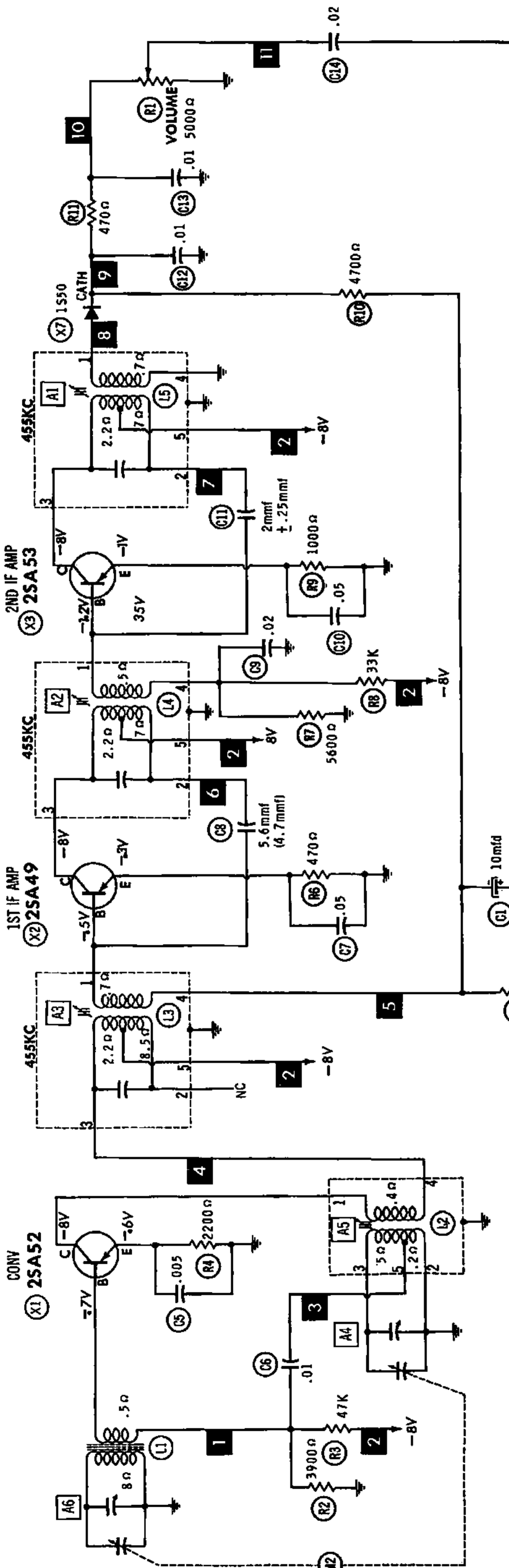
	SIGNAL GENERATOR COUPLING	SIGNAL GENERATOR FREQUENCY	RADIO DIAL SETTING	INDICATOR	ADJUST	REMARKS
1.	Fashion loop of several turns of wire and radiate signal into loop of receiver.	455KC (Unmod.)	Tuning gang fully open.	DC VTVM across volume control.	A1, A2, A3	Adjust for maximum deflection.
2.	"	1600KC	"	"	A4	"
3.	"	540KC	Tuning gang fully closed.	"	A5	"
4.	"	1400KC	1400KC	"	A6	Adjust for maximum deflection. Repeat Steps 2, 3 and 4

To replace battery, rotate top half of "Baseball" counterclockwise and lift off.

HOWARD W. SAMS & CO., INC. Indianapolis 6, Indiana

The listing of any available replacement part herein does not constitute in any case a recommendation, warranty or guaranty by Howard W. Sams & Co., Inc., as to the quality and suitability of such replacement part. The numbers of these parts have been compiled from information furnished to Howard W. Sams & Co., Inc., by the manufacturers of LF577

the particular type of replacement part listed. Reproduction or use, without express permission, of editorial or pictorial content, in any manner, is prohibited. No patent liability is assumed with respect to the use of the information contained herein. ©1962 Howard W. Sams & Co., Inc., Indianapolis 6, Indiana. Printed in U.S. of America



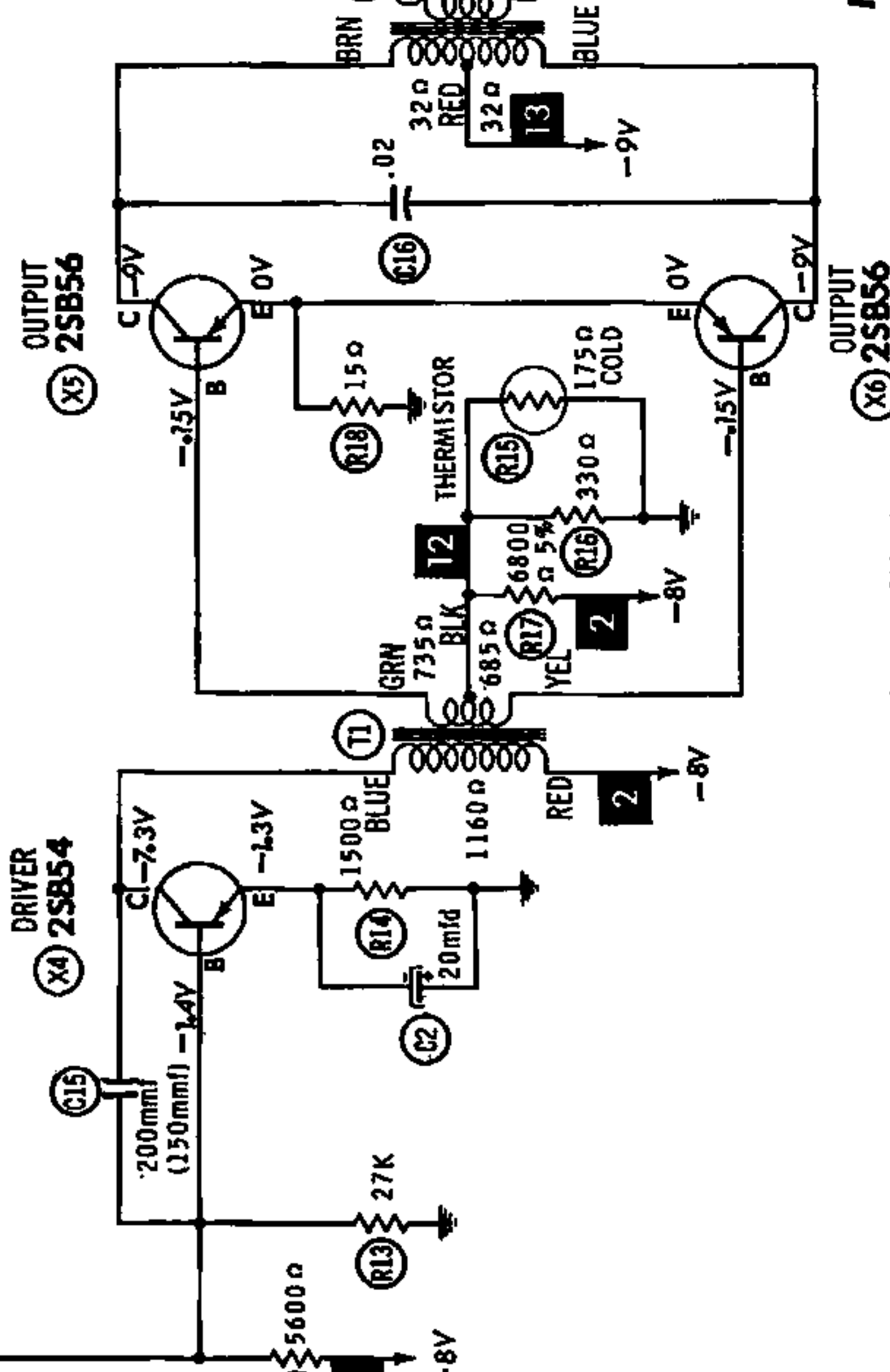
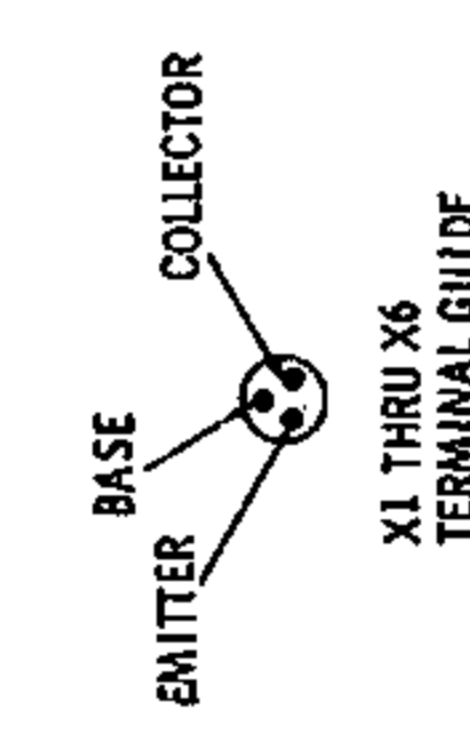
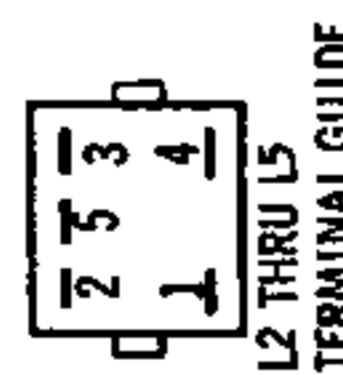
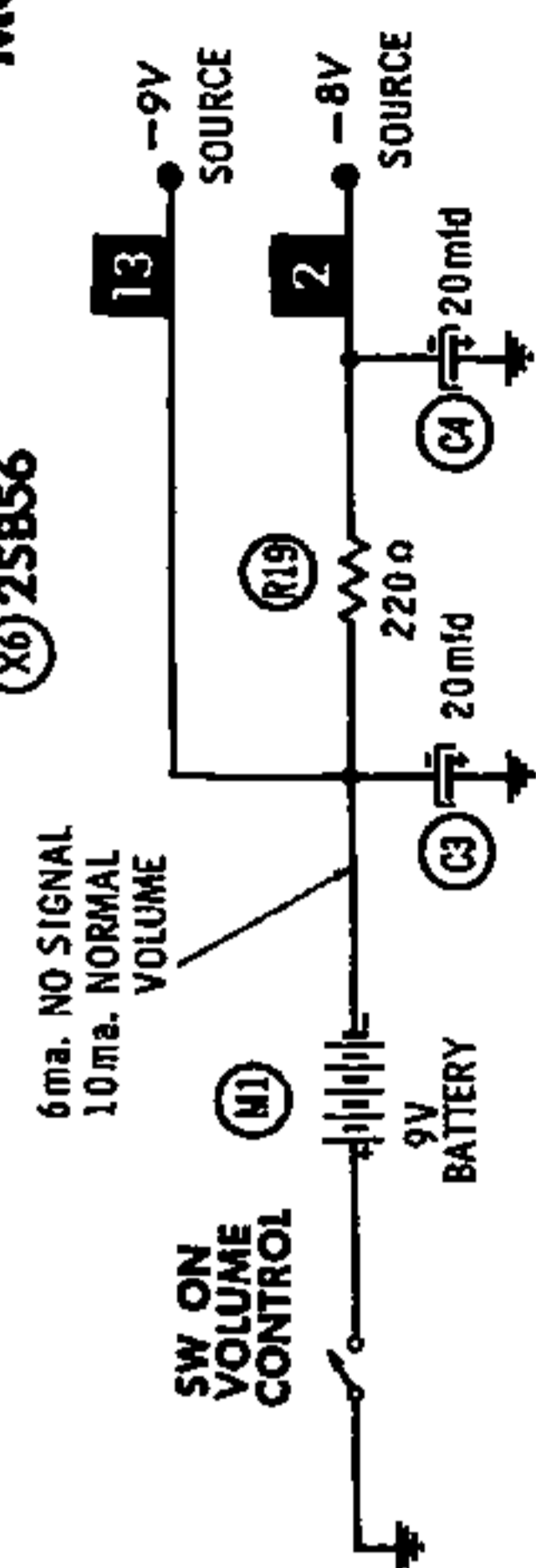
**TOSHIBA
MODEL 6TP-515**

RESISTANCE MEASUREMENTS NOT GIVEN BECAUSE OF THE WIDE VARIATION IN INTERNAL TRANSISTOR RESISTANCE. NUMBERS ASSIGNED TO COILS, SWITCHES, PLUGS, SOCKETS, AND TRANSFORMERS ARE TO FACILITATE CIRCUIT TRACING OR COMPONENT REPLACEMENT AND MAY NOT NECESSARILY BE FOUND ON THE UNIT.

1. DC voltage measurements taken with vacuum tube voltmeter.
2. Socket connections or transistor terminals are shown as bottom views.
3. Measured values are from socket pin or terminal to common ground.
4. Nominal tolerance on component values makes possible a variation of $\pm 15\%$ in voltage and resistance readings.
5. Volume control at maximum, no signal applied for voltage measurements.

A PHOTOFACT STANDARD NOTATION SCHEMATIC with **CIRCUITAGE**

© Howard W. Sams & Co., Inc. 1962



PARTS LIST AND DESCRIPTIONS

WIRING DATA

General-use Unshielded Hook-up Wire	Use BELDEN No. 8530 (Solid 22AWG) 8524 (Stranded 22AWG) 8570 (Stranded 26AWG)	Available in 12 Colors
---	---	------------------------------

TRANSISTORS

ITEM No.	ORIG. TYPE	USE	REPLACEMENT DATA			NOTES
			GENERAL ELECTRIC PART No.	RCA PART No.	RAYTHEON PART No.	
X1	2SA52	Converter	GE-1		2N486	PNP
X2	2SA49	1st IF Amplifier	GE-1		2N488	PNP
X3	2SA53	2nd IF Amplifier	GE-1		2N488	PNP
X4	2SB54	Driver	GE-2	2N406	2N362	PNP
X5	2SB56	Output	GE-2	2N408	2N632	PNP
X6	2SB56	Output	GE-2	2N408	2N632	PNP

POWER RECTIFIERS & SIGNAL DIODES

ITEM No.	CURRENT RATING (Measured)	ORIGINAL Part or Type No.	RECTIFIERS		DIODES	NOTES
			RCA PART No.	SARKES TARZIAN PART No.	RAYTHEON PART No.	
X7		1B50			1N60	

ELECTROLYTIC CAPACITORS

ITEM No.	RATING		REPLACEMENT DATA						
	CAP.	VOLT.	TOSHIBA PART No.	AEROVOX PART No.	CORNELL-DUBILIER PART No.	GENERAL ELECTRIC PART No.	MALLORY PART No.	PYRAMID PART No.	SPRAGUE PART No.
C1	10	3	SU10A	BCD3010	ECPB408	MT1-5	TT3X10	MLV10-3	VL-1038
C2	20	3	SU20A	BCD3020	ECPB410	MT1-10	PET1570	MLV20-12	VL-1040
C3	20	10	10U20A	PTT41	ECPB410	MT1-10	PET1570	MLV20-12	VL-1129
C4	20	10	10U20A	PTT41	ECPB410	MT1-10	PET1570	MLV20-12	VL-1129

FIXED CAPACITORS

ITEM No.	RATING	REMARKS	REPLACEMENT DATA						
			AEROVOX PART No.	CENTRALAB PART No.	CORNELL-DUBILIER PART No.	ELMENCO PART No.	MALLORY PART No.	SPRAGUE PART No.	
C5	.005	(4.7) †	C80V502AM	DM-502	H-05D5	CCD-502	TA-250	TG-D50	
C6	.01		C80V103AM	DM-103	H-05S1	CCD-103	TA-110	TG-S10	
C7	.05		C80V503AM	DDA-503	H-05S5		TA-150	TG-S50	
C8	5, 8			DD-060	C10V6C			10TCC-V5C	
C9	.02			DDM-203	H-05S2	CCD-203	TA-120	TG-S20	
C10	.05			DDA-503	H-05S5		TA-150	TG-S50	
C11	2mmf ±.25mmf			NPO-DI 2.2	DTZ-2R2	C10V2C	CCTO-2R2	CNO-522	10TCC-V22
C12	.01			C80V103AM	DM-103	H-05S1	CCD-103	TA-110	TG-S10
C13	.01			C80V103AM	DM-103	H-05S1	CCD-103	TA-110	TG-S10
C14	.02			C80V203AM	DDM-203	H-05S2	CCD-203	TA-120	TG-S20
C15	200		(150) †	C80V221AM	DM-201	L10T2	CCD-201	GP320	10TS-T20
C16	.02	C80V203AM		DDM-203	H-05S2	CCD-203	TA-120	TG-S20	

† Alternate Value

CONTROLS

All wattages 1/2 watt, or less, unless otherwise listed.

ITEM No.	USE	RESISTANCE	REPLACEMENT DATA				
			TOSHIBA PART No.	CENTRALAB PART No.	CLAROSTAT PART No.	CTS-IRC PART No.	MALLORY PART No.
R1	Volume & Switch	5000Ω	40573T				

PARTS LIST AND DESCRIPTIONS (Continued)

RESISTORS

All wattages 1/2 watt, or less, unless otherwise listed.

ITEM No.	RATING	REPLACEMENT DATA			ITEM No.	RATING	REPLACEMENT DATA		
		IRC PART No.	WORKMAN PART No.	REMARKS			IRC PART No.	WORKMAN PART No.	REMARKS
R2	3900Ω				R11	470Ω			
R3	47K				R12	5600Ω			
R4	2200Ω				R13	27K			
R5	100K				R14	1500Ω			
R6	470Ω				R15	175Ω Cold			
R7	5600Ω				R16	330Ω			
R8	33K				R17	6800Ω 5%			
R9	1000Ω				R18	15Ω			
R10	4700Ω				R19	220Ω			

COILS (RF-IF)

ITEM No.	USE	REPLACEMENT DATA					NOTES
		TOSHIBA PART No.	Merit PART No.	Miller PART No.	Stancor PART No.	Workman PART No.	
L1	Loopstick	271					
L2	Osc.	160B					
L3	1st IF	0744B					
L4	2nd IF	0745B					
L5	3rd IF	0745B					

TRANSFORMER (DRIVER)

ITEM No.	TURNS RATIO		REPLACEMENT DATA					NOTES
			TOSHIBA PART No.	MERIT PART No.	STANCOR PART No.	THORDARSON PART No.	TRIAD PART No.	
	PRI.	SEC.						
T1	1	1	0429B					

TRANSFORMER (AUDIO OUTPUT)

ITEM No.	IMPEDANCE		REPLACEMENT DATA					NOTES
			TOSHIBA PART No.	Merit PART No.	Stancor PART No.	Thordarson PART No.	Triad PART No.	
	PRI.	SEC.						
T2	1800Ω CT	6-8Ω	04117A					

SPEAKER

ITEM No.	TYPE			REPLACEMENT DATA		NOTES
				TOSHIBA PART No.	QUAM PART No.	
	SIZE	FIELD	V. C. IMP.			
SP1	2"	PM	6-8Ω	SP-2001B		

BATTERIES

ITEM No.	VOLTAGE	TOSHIBA PART No.	REPLACEMENT DATA						NOTES
			BURGESS		EVEREADY		MALLORY		
			"A"	"B"	"A"	"B"	"A"	"B"	
B1	9V	006P		2U6		216		M-1604	

MISCELLANEOUS

ITEM No.	PART NAME	TOSHIBA PART No.	NOTES
M1	Tuning Cap.	V1-1000	1 Qty

CHASSIS—TOP VIEW

