

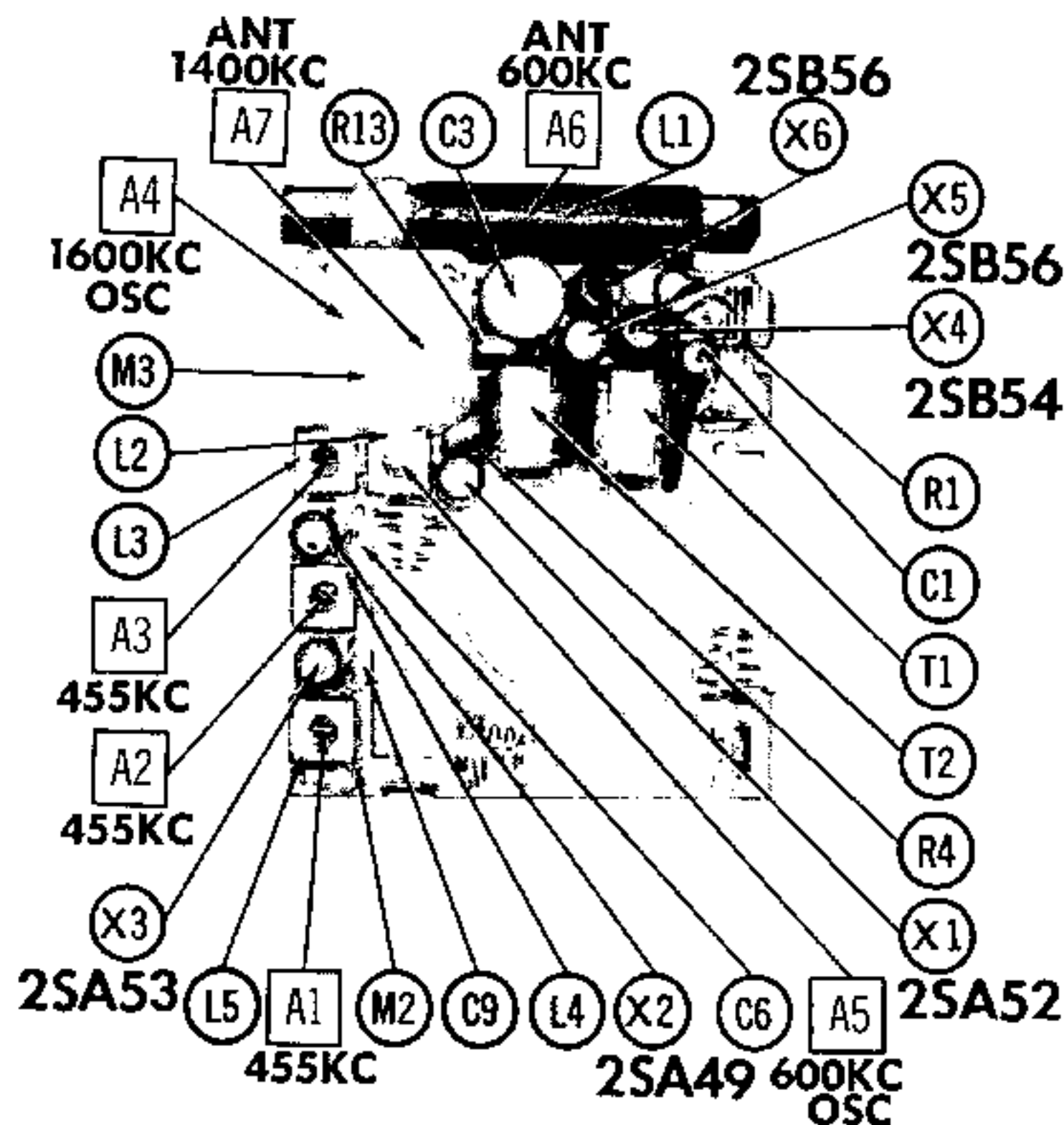
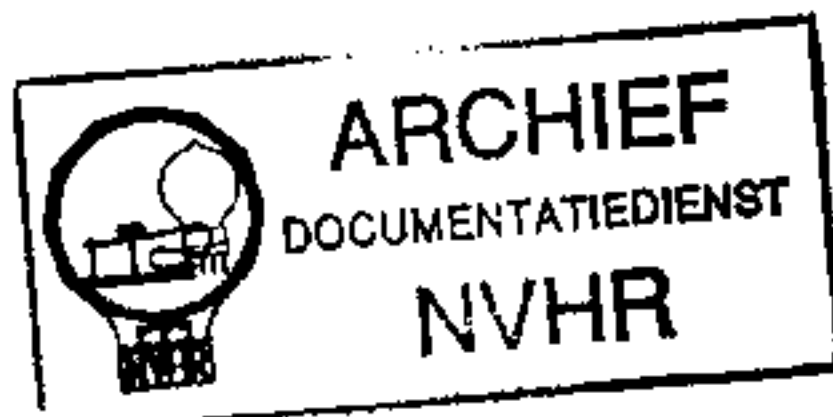
PHOTOFACT® Folder

with CIRCUITRACE™

TOSHIBA  
MODEL 6TP-394

Ned. Ver. v. Historie v/d Radio

Met dank aan Jef Bos



TRADE NAME	Toshiba Model 6TP-394		
IMPORTER	Transistor World Corp., 52 Broadway, New York 4, N. Y.		
TYPE SET	Battery Operated Transistorized Portable AM Receiver		
POWER SUPPLY	4.5 Volts DC	RATING	4MA@4.5 Volts DC (No Signal, Min. Volume) 12MA@4.5 Volts DC (Signal, Normal Volume)
TUNING RANGE—BROADCAST	540 — 1600KC		

## ALIGNMENT INSTRUCTIONS

ALIGNMENT INSTRUCTIONS—READ CAREFULLY BEFORE ATTEMPTING ALIGNMENT

Volume control should be at maximum position. Output of signal generator should be no higher than necessary to obtain an output reading.

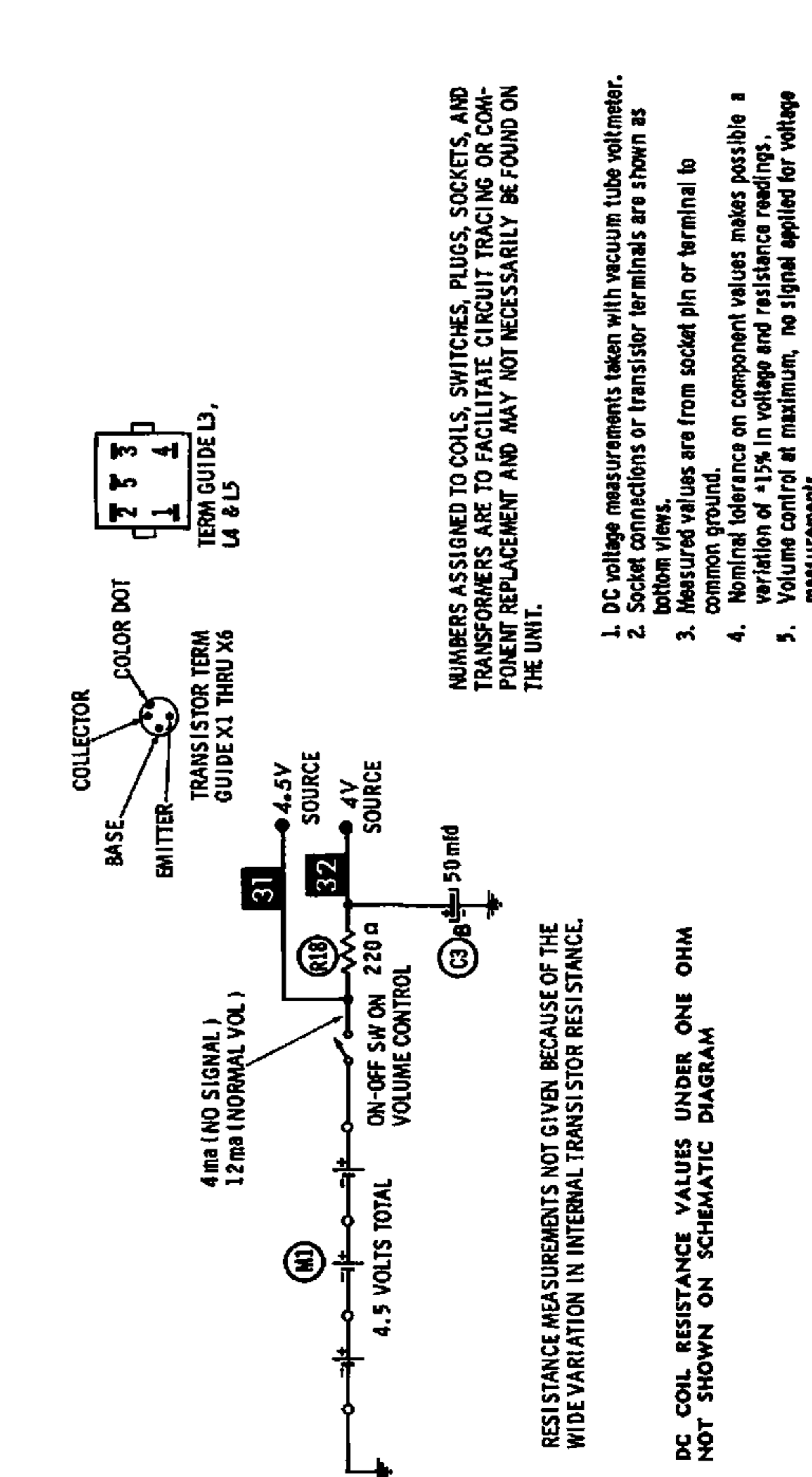
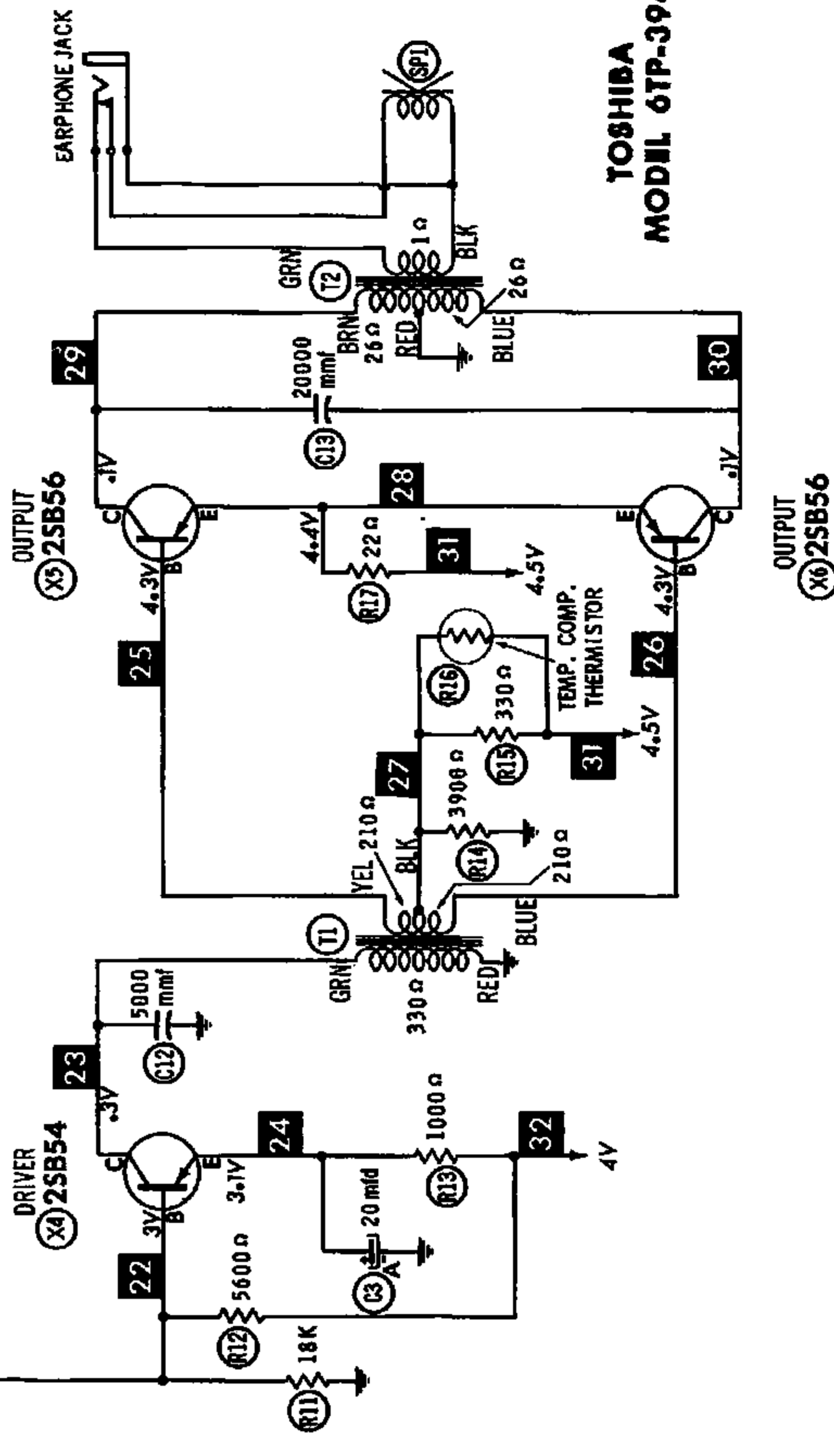
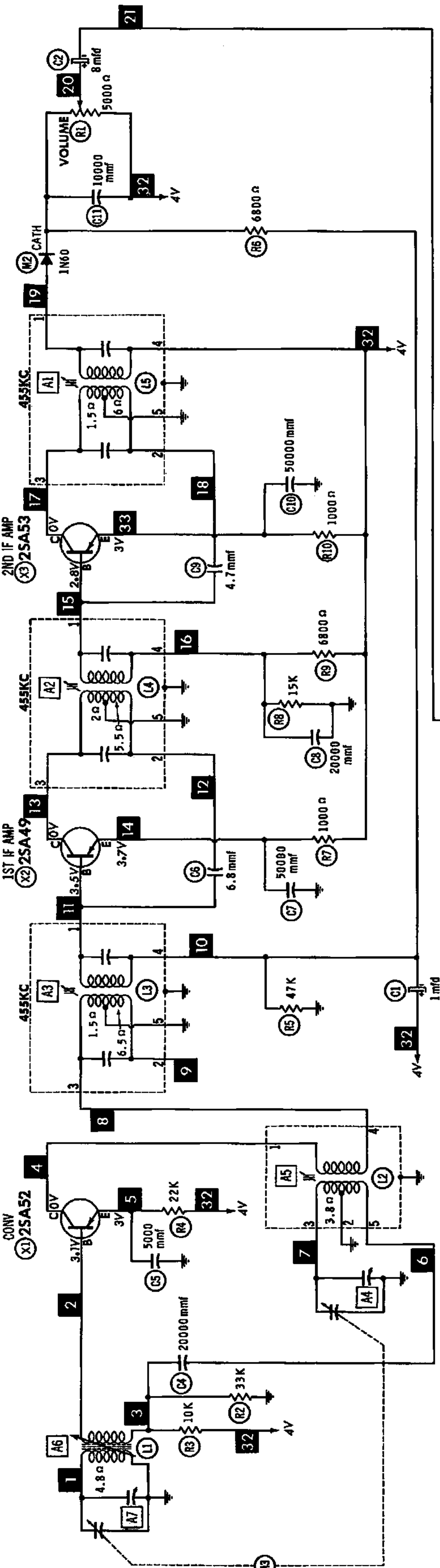
Suggested Alignment Tools: A1, A2, A3, A5... GENERAL CEMENT #5009, 8195, 8274, 8275, 8728, 8729, 8987, 8988, 8989  
WALSCO #2515, 2531, 2532  
A4, A7... GENERAL CEMENT #5000, 5003, 5066, 8276, 8290, 9087, 9089  
WALSCO #2512, 2525, 2528

	SIGNAL GENERATOR COUPLING	SIGNAL GENERATOR FREQUENCY	RADIO DIAL SETTING	OUTPUT METER	ADJUST	REMARKS
1.	Loop	455KC (±00% Mod.)	Tuning gang fully open.	Across voice coil.	A1, A2, A3	Fashion loop of several turns of wire and radiate signal into loop of receiver. Adjust for maximum output.
2.	"	1600KC	1600KC	"	A4	"
3.	"	600KC	600KC	"	A5, A6	"
4.	"	1400KC	1400KC Signal.	"	A7	Adjust for maximum output. Repeat Steps 2, 3 and 4.

HOWARD W. SAMS & CO., INC. Indianapolis 6, Indiana

The listing of any available replacement part herein does not constitute in any case a recommendation, warranty or guaranty by Howard W. Sams & Co., Inc. as to the quality and suitability of such replacement part. The numbers of these parts have been compiled from information furnished to Howard W. Sams & Co., Inc. by the manufacturers of KF551

the particular type of replacement part listed. Reproduction or use, without express permission, of editorial or pictorial content, in any manner, is prohibited. No patent liability is assumed with respect to the use of the information contained herein. © 1961 Howard W. Sams & Co., Inc., Indianapolis 6, Indiana. Printed in U.S. of America

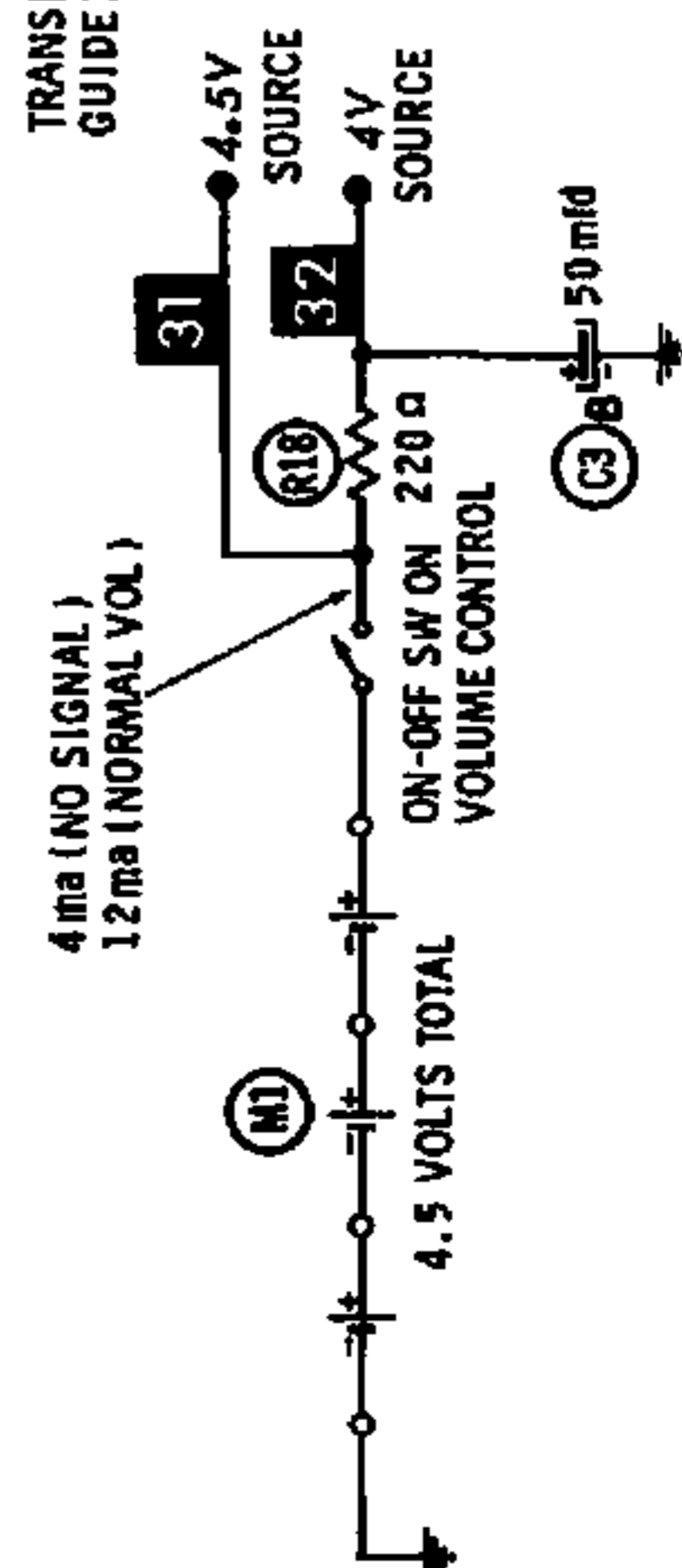


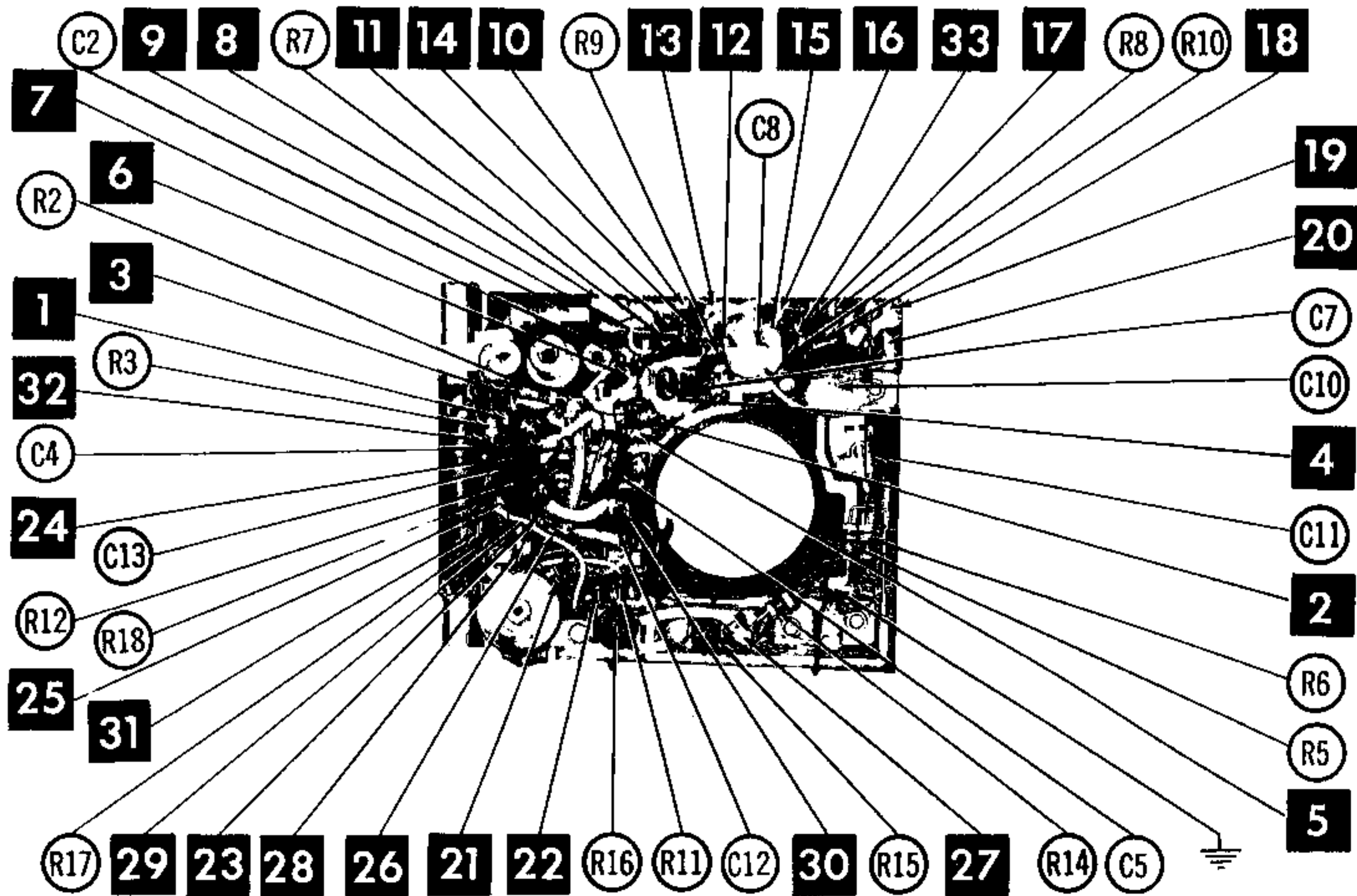
NUMBERS ASSIGNED TO COILS, SWITCHES, PLUGS, SOCKETS, AND TRANSFORMERS ARE TO FACILITATE CIRCUIT TRACING OR COMPONENT REPLACEMENT AND MAY NOT NECESSARILY BE FOUND ON THE UNIT.

1. DC voltage measurements taken with vacuum tube voltmeter.
2. Socket connections or transistor terminals are shown as bottom views.
3. Measured values are from socket pin or terminal to common ground.
4. Nominal tolerance on component values makes possible a variation of ±15% in voltage and resistance readings.
5. Volume control at maximum; no signal applied for voltage measurement.

RESISTANCE MEASUREMENTS NOT GIVEN BECAUSE OF THE WIDE VARIATION IN INTERNAL TRANSISTOR RESISTANCE.

DC COIL RESISTANCE VALUES UNDER ONE OHM NOT SHOWN ON SCHEMATIC DIAGRAM







# ND DESCRIPTIONS

## COILS (RF-IF)

ITEM No.	USE	REPLACEMENT DATA					NOTES
		TOSHIBA PART No.	Merit PART No.	Miller PART No.	Stancor PART No.	Workman TV PART No.	
L1	Loopstick						
L2	Osc.						
L3	1st IF						
L4	2nd IF						
L5	3rd IF						

## TRANSFORMER (DRIVER)

ITEM No.	TURNS RATIO		REPLACEMENT DATA				NOTES
	PRI.	SEC.	TOSHIBA PART No.	Merit PART No.	Stancor PART No.	Thordarson PART No.	
T1	1	1	0415A			TR-38	

## TRANSFORMER (AUDIO OUTPUT)

ITEM No.	IMPEDANCE		REPLACEMENT DATA				NOTES
	PRI.	SEC.	TOSHIBA PART No.	Merit PART No.	Stancor PART No.	Thordarson PART No.	
T2	700Ω CT	8-8Ω	0482A				

## SPEAKER

ITEM No.	TYPE			REPLACEMENT DATA		NOTES
	SIZE	FIELD	V. C. IMP.	TOSHIBA PART No.	QUAM PART No.	
SP1	2"	PM	6-8Ω	50114		

## BATTERIES

ITEM No.	VOLTAGE	TOSHIBA PART No.	REPLACEMENT DATA						NOTES
			BURGESS		EVEREADY		MALLORY		
			"A"	"B"	"A"	"B"	"A"	"B"	
M1	1.5V	UM-5 *		N *		904 *		M-910R *	* 3 Required

## SIGNAL DIODES

ITEM No.	ORIG. TYPE	REPLACEMENT DATA				NOTES
		TOSHIBA PART No.	GENERAL ELECTRIC PART No.	RAYTHEON PART No.	SYLVANIA PART No.	
M2	1N60			1N60	1N60	Detector (Pigtail)

## MISCELLANEOUS

ITEM No.	PART NAME	TOSHIBA PART No.	NOTES
M3	Tuning Cap.		2 Gang

## WIRING DATA

General use Unshielded Hook up Wire . . . . . Use MIL-DTL-17 No. 0030 (Solid) Available in Ten Colors  
0034 (Stranded) Available in Ten Colors