

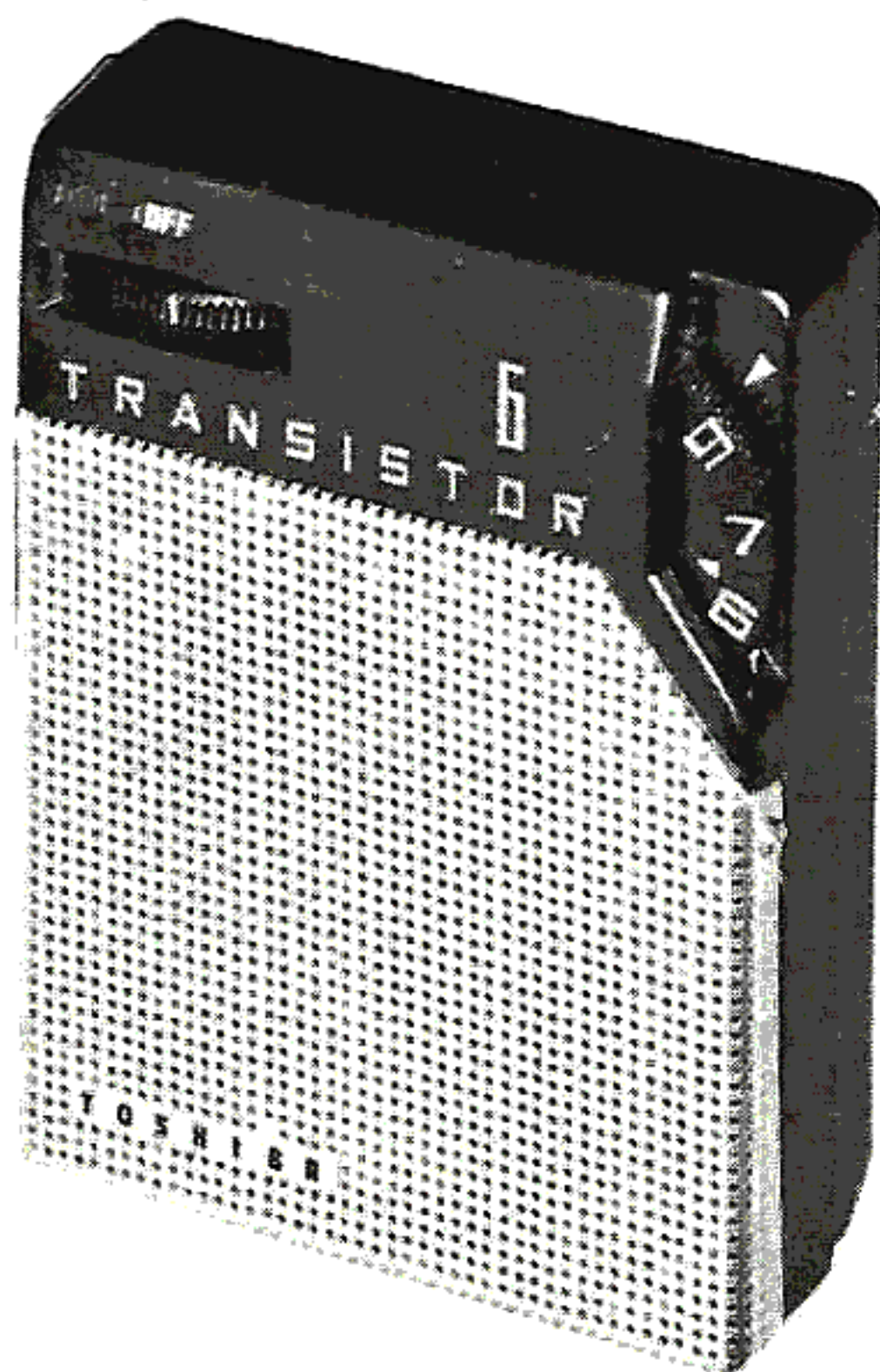
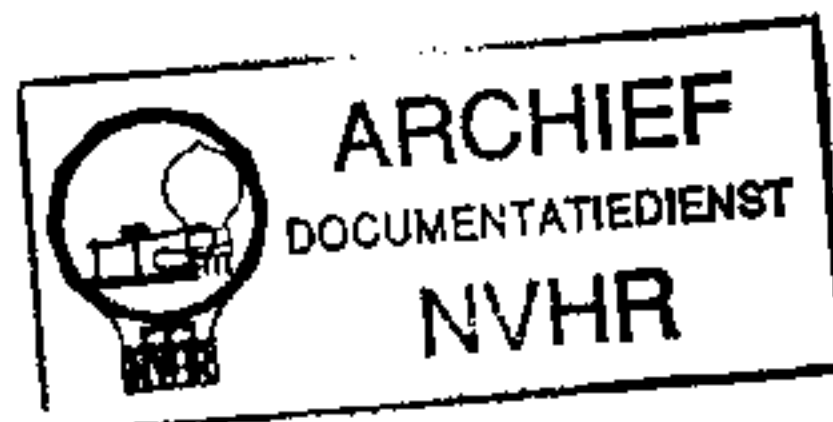
PHOTOFACT® Folder

with CIRCUITRACE®

TOSHIBA  
MODEL 6TP-354

Met dank aan Jef Bos

Ned. Ver. v. Historie v/d Radi



TRADE NAME	Toshiba Model 6TP-354		
IMPORTER	Transistor World Corp., 52 Broadway, New York 4, N. Y.		
TYPE SET	Battery Operated Transistorized Portable AM Receiver		
POWER SUPPLY	4.5 Volts DC	RATING	7MA@4.5 Volts DC (No Signal, Min. Volume) 10MA@4.5 Volts DC (Signal, Normal Volume)
TUNING RANGE—BROADCAST	540 - 1620KC		

## ALIGNMENT INSTRUCTIONS

### ALIGNMENT INSTRUCTIONS—READ CAREFULLY BEFORE ATTEMPTING ALIGNMENT

Volume control should be at maximum position. Output of signal generator should be no higher than necessary to obtain an output reading.

Suggested Alignment Tools: A1, A2, A3, A5... GENERAL CEMENT #5009, 8195, 8274, 8275, 8728, 8729, 8987, 8988, 8989  
WALSCO #2515, 2531, 2532  
A4, A6.....GENERAL CEMENT #5000, 5003, 5066, 8276, 8290, 9087, 9089  
WALSCO #2512, 2525, 2528

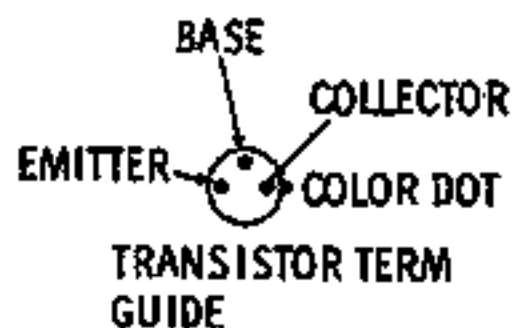
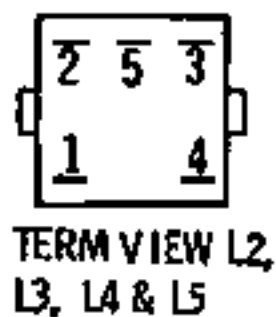
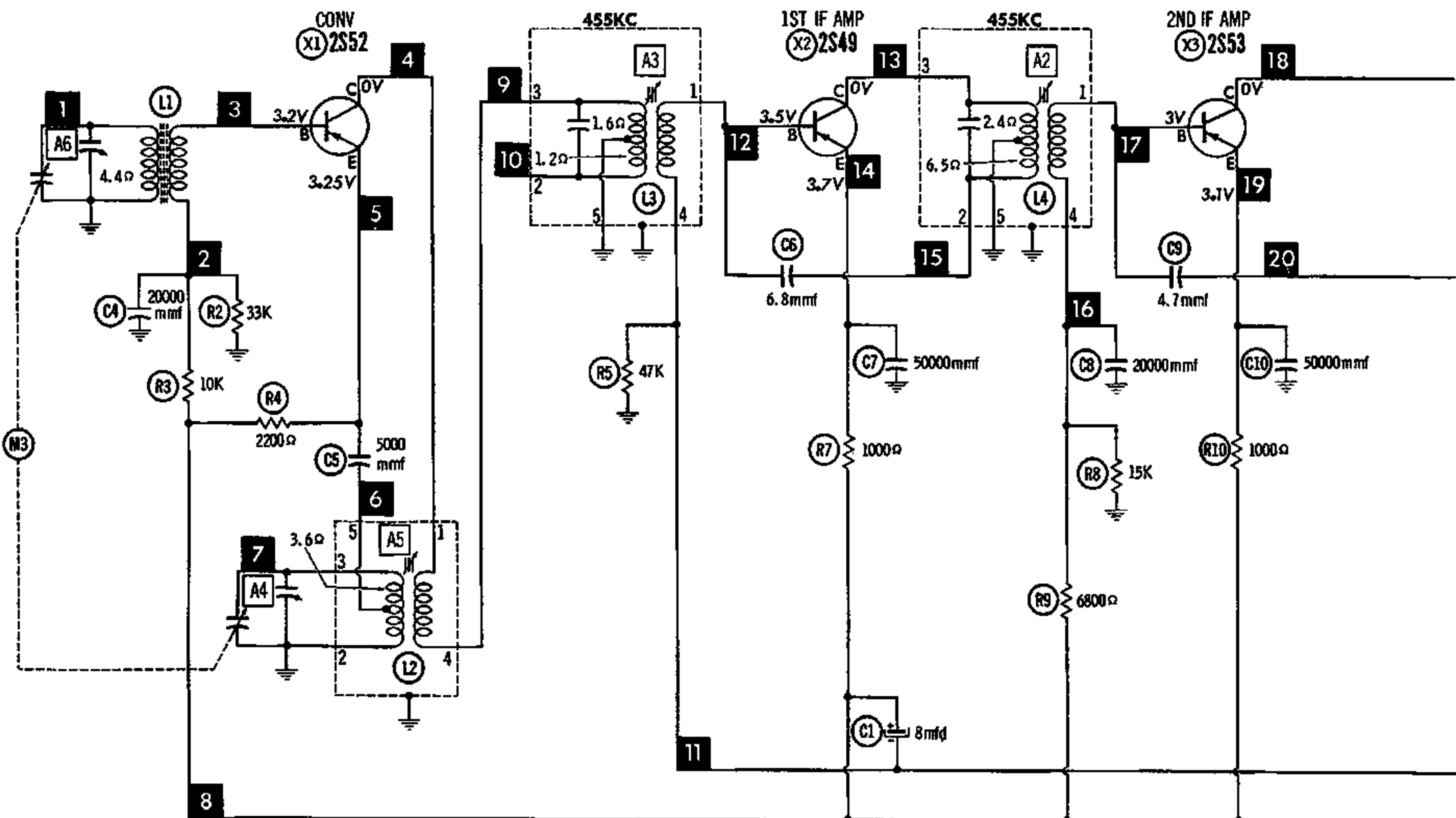
	SIGNAL GENERATOR COUPLING	SIGNAL GENERATOR FREQUENCY	RADIO DIAL SETTING	OUTPUT METER	ADJUST	REMARKS
1.	Loop	455KC (400% Mod.)	Tuning gang fully open.	Across voice coil.	A1, A2, A3	Fashion loop of several turns of wire and radiate signal into loop of receiver. Adjust for maximum output.
2.	"	1600KC	1600KC	"	A4	"
3.	"	600KC	600KC Signal.	"	A5	"
4.	"	1400KC	1400KC Signal.	"	A6	Adjust for maximum output while rocking tuning gang.

### HOWARD W. SAMS & CO., INC. Indianapolis 6, Indiana

The listing of any available replacement part herein does not constitute in any case a recommendation, warranty or guaranty by Howard W. Sams & Co., Inc., as to the quality and suitability of such replacement part. The numbers of these parts have been compiled from information furnished to Howard W. Sams & Co., Inc., by the manufacturers of KF048

the particular type of replacement part listed. Reproduction or use, without express permission, of editorial or pictorial content, in any manner, is prohibited. No patent liability is assumed with respect to the use of the information contained herein. © 1960 Howard W. Sams & Co., Inc., Indianapolis 6, Indiana. Printed in U.S. of America





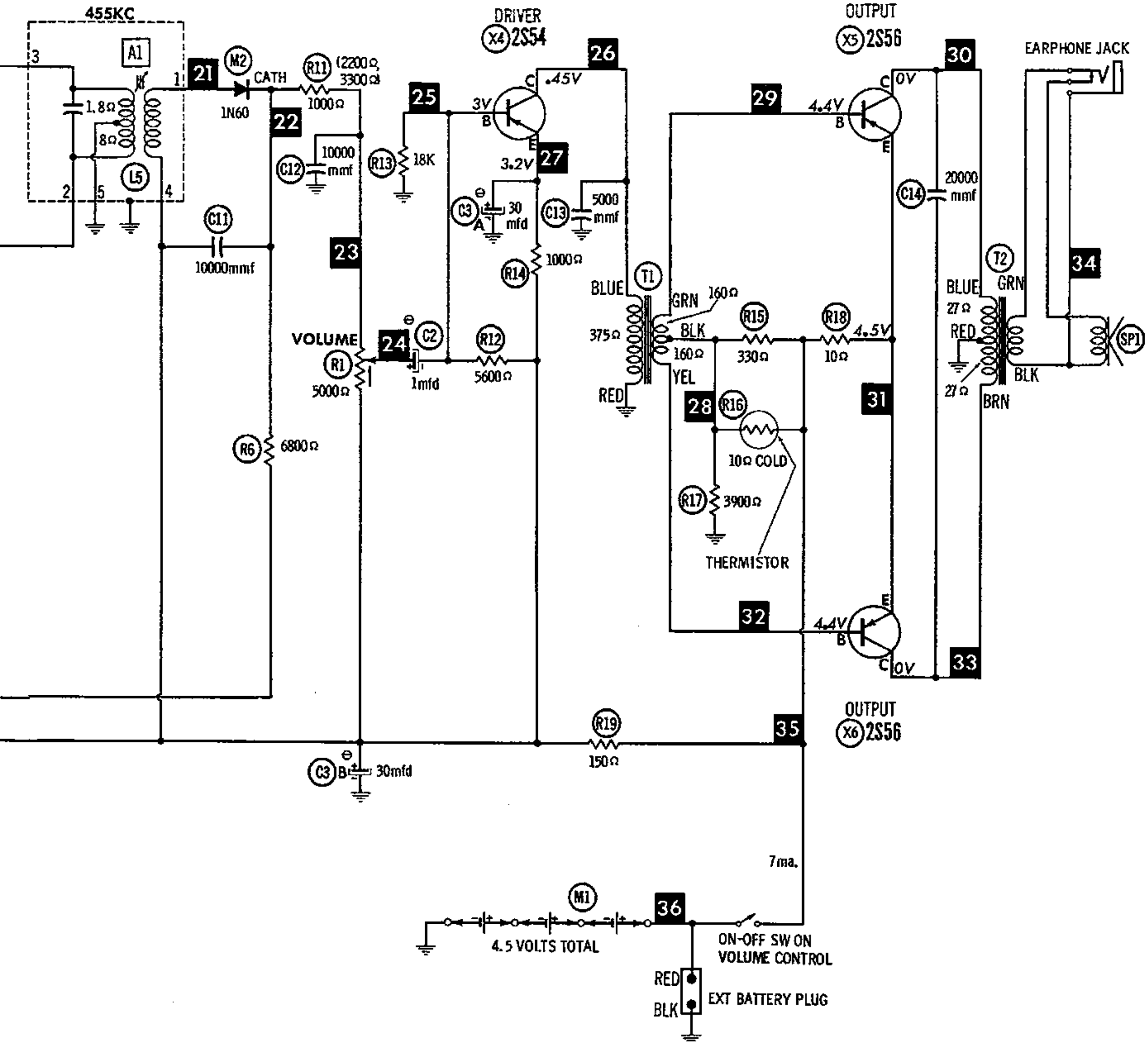
RESISTANCE MEASUREMENTS NOT GIVEN BECAUSE OF THE WIDE VARIATION IN INTERNAL TRANSISTOR RESISTANCE.

SEE PARTS LIST FOR ALTERNATE VALUE OR APPLICATION

DC COIL RESISTANCE VALUES UNDER ONE OHM NOT SHOWN ON SCHEMATIC DIAGRAM

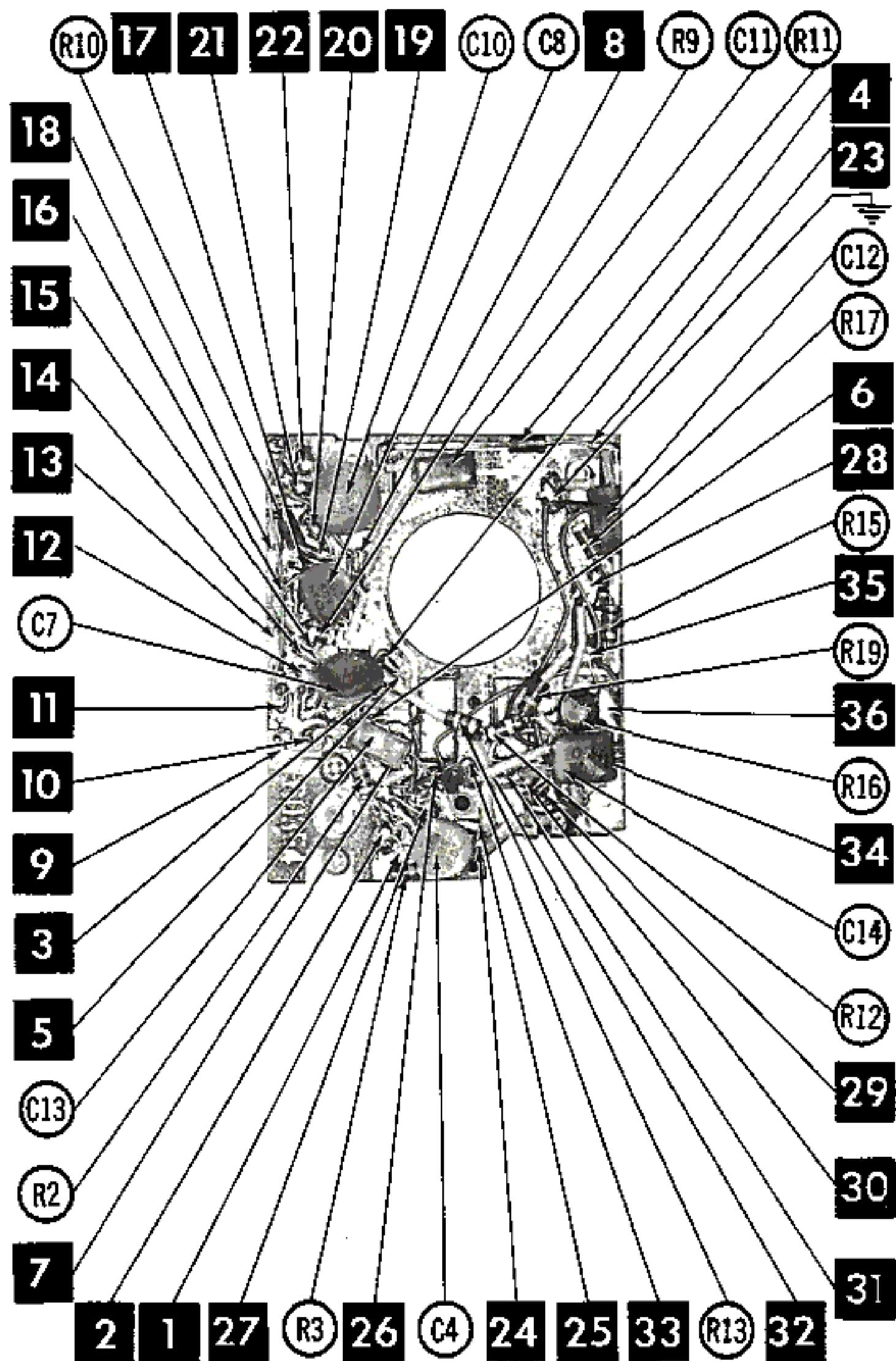
ARROWS ON CONTROLS INDICATE CLOCKWISE ROTATION (CONTROL VIEWED FROM SHAFT END)

1. DC voltage measurements taken with vacuum tube voltmeter.
2. Socket connections or transistor terminals are shown as bottom views.
3. Measured values are from socket pin or terminal to common ground.
4. Nominal tolerance on component values makes possible a variation of  $\pm 15\%$  in voltage and resistance readings.
5. Volume control at maximum, no signal applied for voltage measurements.



NUMBERS ASSIGNED TO COILS, SWITCHES, PLUGS, SOCKETS, AND TRANSFORMERS ARE TO FACILITATE CIRCUIT TRACING OR COMPONENT REPLACEMENT AND MAY NOT NECESSARILY BE FOUND ON THE UNIT.





## TRANSISTORS

ITEM No.	ORIG. TYPE	USE	REPLACEMENT DATA			NOTES
			RCA PART No.	RAYTHEON PART No.	SYLVANIA PART No.	
X1	2S52	Converter	2N412	2N486	2N412	PNP
X2	2S49	1st IF Amplifier	2N410	2N483	2N410	PNP
X3	2S53	2nd IF Amplifier	2N410	2N483	2N410	PNP
X4	2S54	Driver	2N408	2N362	2N408	PNP
X5	2S56	Output	2N408	2N632	2N408	PNP } Matched
X6	2S56	Output	2N408	2N632	2N408	PNP } Pair

## ELECTROLYTIC CAPACITORS

ITEM No.	RATING		REPLACEMENT DATA					NOTES	
	CAP.	VOLT.	TOSHIBA PART No.	AEROVOX PART No.	CORNELL-DUBILIER PART No.	MALLORY PART No.	PYRAMID PART No.		SPRAGUE PART No.
C1	8	5	30516	XPP10001	NLW10-6	TT6X8			Note 1 Note 2 Note 2
C2	1	10			NLW1-50	TT12X1			
C3A	30	5							
B	30	5							

Note 1. Some versions may use 1mfd@3V in this application (Part #30488).

Note 2. Some versions may use 60mfd@5V in this application (Part #30516).

## FIXED CAPACITORS

Capacity values given in the rating column are in mfd. for Paper Capacitors, and in mmfd. for Mica and Ceramic Capacitors.

ITEM No.	RATING	REMARKS	REPLACEMENT DATA					
			AEROVOX PART No.	CENTRALAB PART No.	CORNELL-DUBILIER PART No.	ELMENCO PART No.	MALLORY PART No.	SPRAGUE PART No.
C4	20000		C80V203AM	DDM-203	H-05S2		TA-120	TG-S20
C5	5000		C80V502AM	DDM-502	H-05D5	CCD-502	TA-250	TG-D50
C6	6.8		NPO-DI 6.8	DTZ-6R8	C10V68C	CCTO-6R8	CNO-568	10TCC-V68
C7	50000		C80V503AM	DDA-503	H-05S5		TA-150	TG-S50
C8	20000		C80V203AM	DDM-203	H-05S2		TA-120	TG-S20
C9	4.7		NPO-DI 4.7	DTZ-4R7	C10V47C	CCTO-4R7	CNO-547	10TCC-V47
C10	50000		C80V503AM	DDA-503	H-05S5		TA-150	TG-S50
C11	10000		C80V103AM	DDM-103	H-05S1		TA-110	TG-S10
C12	10000		C80V103AM	DDM-103	H-05S1		TA-110	TG-S10
C13	5000		C80V502AM	DDM-502	H-05D5	CCD-502	TA-250	TG-D50
C14	20000		C80V203AM	DDM-203	H-05S2		TA-120	TG-S20

# AND DESCRIPTIONS

## CONTROLS

ITEM No.	RATING		REPLACEMENT DATA				INSTALLATION NOTES	
	RESISTANCE	WATTS	TOSHIBA PART No.	CENTRALAB PART No.	CLAROSTAT PART No.	CTS-IRC PART No.		MALLORY PART No.
R1	5000Ω	1/4	40573	B16-214				Volume & Switch

## RESISTORS (IRC or EQUIVALENT)

All wattages 1/2 watt, or less, unless otherwise listed.

ITEM No.	RATING	REMARKS
R2	33K	
R3	10K	
R4	2200Ω	
R5	47K	
R6	6800Ω	
R7	1000Ω	

ITEM No.	RATING	REMARKS
R8	15K	
R9	6800Ω	
R10	1000Ω	
R11	1000Ω	(2200Ω, 3300Ω) *
R12	5600Ω	
R13	18K	

ITEM No.	RATING	REMARKS
R14	1000Ω	
R15	330Ω	
R16	10Ω Cold	Pt. #40250
R17	3900Ω	
R18	10Ω	
R19	150Ω	

\* Alternate Value.

## COILS (RF-IF)

ITEM No.	USE	REPLACEMENT DATA				NOTES
		TOSHIBA PART No.	Merit PART No.	Miller PART No.	Ram PART No.	
L1	Loopstick	20377				
L2	Osc. Coil	20378				
L3	1st IF Trans.	20379				
L4	2nd IF Trans.	20380				
L5	3rd IF Trans.	20381				

## TRANSFORMER (DRIVER)

ITEM No.	TURNS RATIO		REPLACEMENT DATA				NOTES
	PRI.	SEC.	TOSHIBA PART No.	Merit PART No.	Stancor PART No.	Thordarson PART No.	
T1	1, 2	1	20382				

# PARTS LIST AND DESCRIPTIONS (Continued)

## TRANSFORMER (AUDIO OUTPUT)

ITEM No.	IMPEDANCE		REPLACEMENT DATA					NOTES
			TOSHIBA PART No.	Merit PART No.	Ram PART No.	Stancor PART No.	Thordarson PART No.	
	PRI.	SEC.						
T2	850Ω CT	8-10Ω	20383					

## SPEAKER

ITEM No.	TYPE			REPLACEMENT DATA		NOTES
				TOSHIBA PART No.	QUAM PART No.	
	SIZE	FIELD	V. C. IMP.			
SP1	2"	PM	8-10Ω	50114 (SP-2001A)		

## BATTERIES

ITEM No.	VOLTAGE	TOSHIBA PART No.	REPLACEMENT DATA						NOTES
			BURGESS		EVEREADY		MALLORY		
			"A"	"B"	"A"	"B"	"A"	"B"	
M1	1.5V	UM-5 *		N *		904 * E-401 †		RM-401 *	* 3 Required † Mercury, 3 Required

## CRYSTAL DIODES

ITEM No.	ORIG. TYPE	REPLACEMENT DATA			NOTES
		TOSHIBA PART No.	RAYTHEON PART No.	SYLVANIA PART No.	
M2	1N60		1N60	1N60	Detector (Pigtail)

## MISCELLANEOUS

ITEM No.	PART NAME	TOSHIBA PART No.	NOTES
M3	Tuning Gang Printed Board	30522 60354	2 Gang

## WIRING DATA

General-use Unshielded Hook up Wire ..... Uno HELDEN No. 8530 (Solid) Available in Ten Colors  
8524 (Stranded) Available in Ten Colors

**CHASSIS—TOP VIEW**

