

with

**CIRCUITRACE<sup>®</sup>**

Met dank aan Jef Bos



TRADE NAME : Toshiba Model 6TP-31A  
 SUPPLIER : Transistor World Corp., 513 W. 24th Street, New York 11, N. Y.  
 TYPE SET : 6 Transistor AM Receiver  
 POWER SUPPLY : 4.5Volts DC  
 RATING : 6ma@ 4.5VDC (No Signal)  
 24ma@ 4.5VDC (Normal Signal)  
 TUNING RANGE : BROADCAST 540-1620KC

## ALIGNMENT INSTRUCTIONS

Check for specified source voltage.

Fashion loop of several turns of wire and connect generator across loop.

Adjust output of generator to radiate only enough signal into receiver to obtain a suitable indication.

Suggested Alignment Tools: A1, A2, A3, A5

GENERAL CEMENT #5067, 8282, 8606,

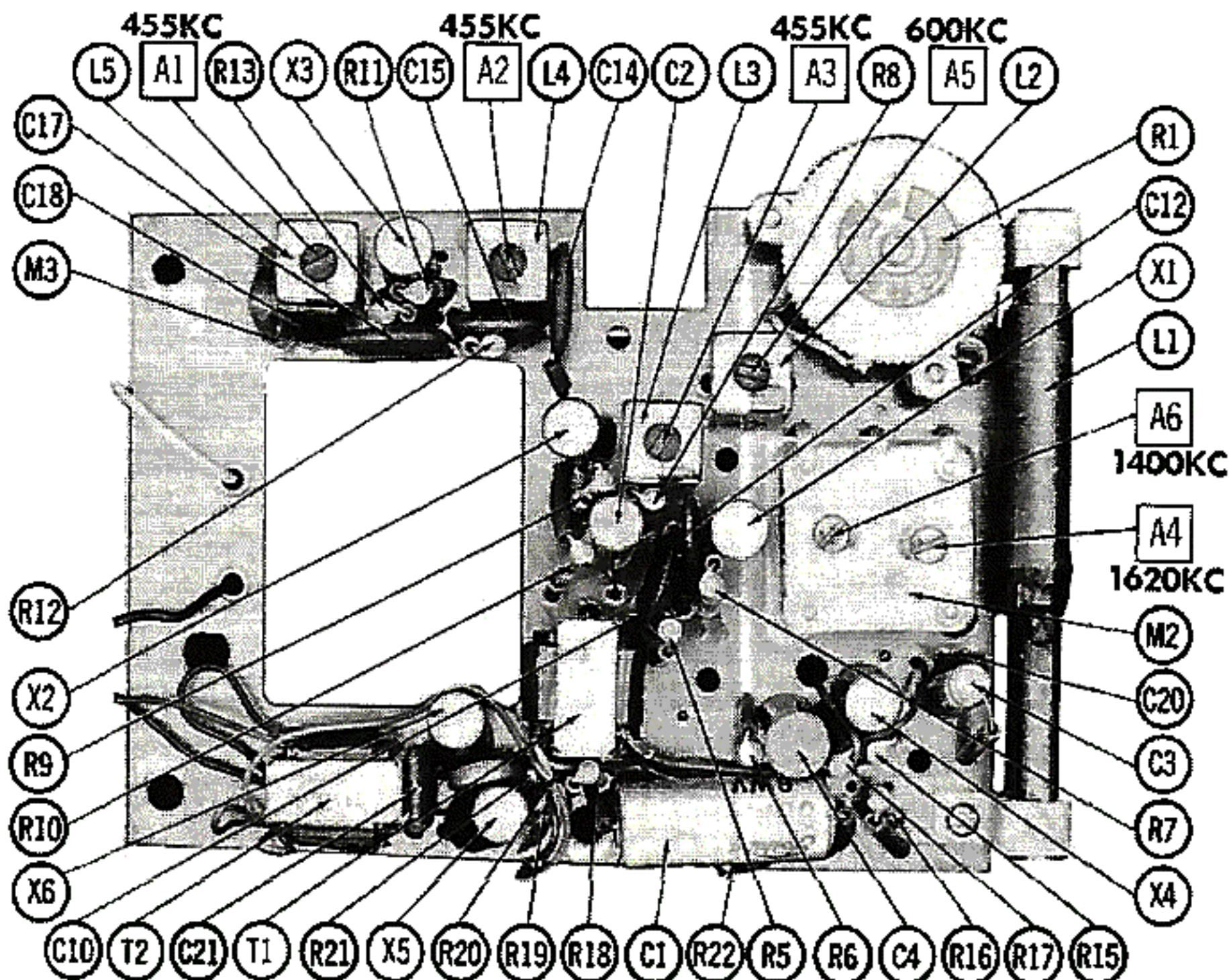
WALSCO #2526, 2543

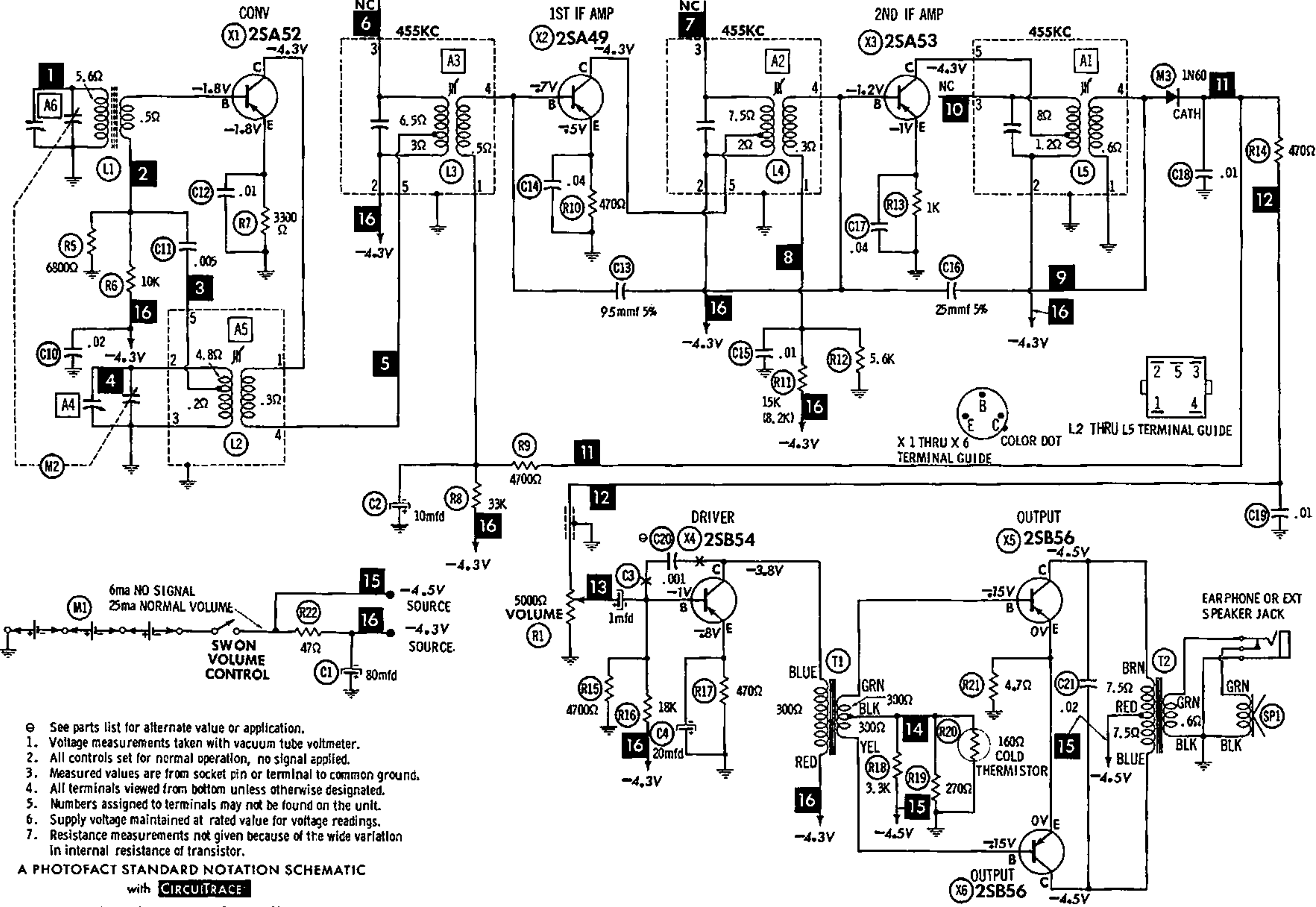
A4, A6

GENERAL CEMENT #5000, 5066, 8290

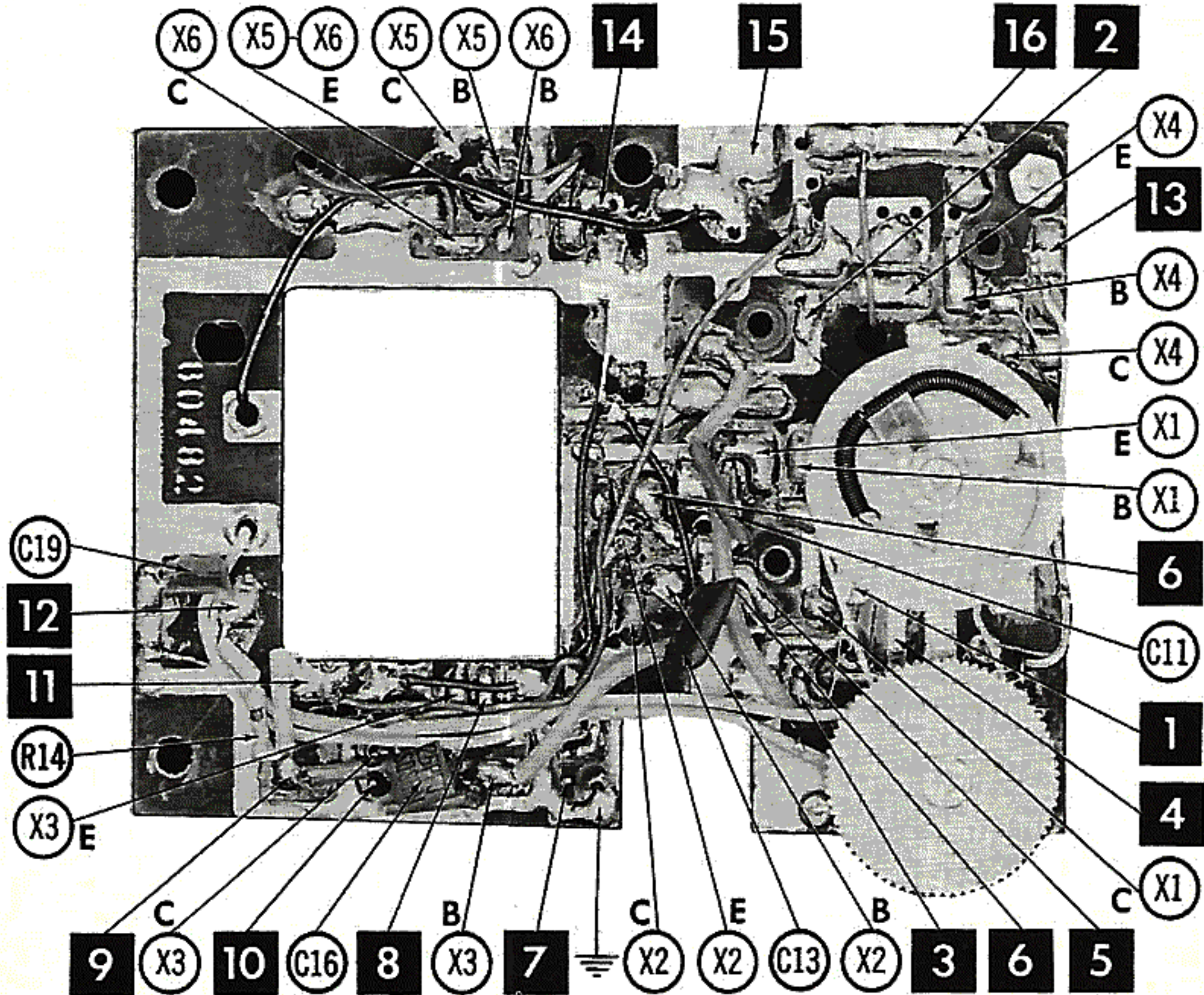
WALSCO #2512, 2525, 2528

SIGNAL GENERATOR FREQUENCY	RADIO DIAL SETTING	INDICATOR	ADJUST	REMARKS
1. 455KC (400v Mod.)	Tuning gang fully open.	Output Meter across voice coil.	A1, A2, A3	Adjust for maximum. Repeat as required.
2. 1620KC	"	"	A4	Adjust for maximum.
3. 600KC	Tune to Signal.	"	A5	Rock tuning gang and adjust for maximum. Repeat steps 2 and 3.
4. 1400KC	"	"	A6	Adjust for maximum.





**TOSHIBA MODEL 6TP-31A**



## TRANSISTORS

ITEM No.	ORIG. TYPE	USE	REPLACEMENT DATA			NOTES
			DELCO PART No.	GENERAL ELECTRIC PART No.	RCA PART No.	
X1	2SA52	Converter	DS-25	GE-1	2N412	PNP
X2	2SA49	1st IF Amp.	DS-25	GE-1	2N410	PNP
X3	2SA53	2nd IF Amp.	DS-25	GE-1	2N410	PNP
X4	2SB54	Driver	DS-26	GE-2	2N406	PNP
X5	2SB56	Output	DS-26	GE-2	2N408	PNP
X6	2SB56	Output	DS-26	GE-2	2N408	PNP

## ELECTROLYTIC CAPACITORS

ITEM No.	RATING		REPLACEMENT DATA						
	CAP.	VOLT.	TOSHIBA PART No.	AEROVOX PART No.	CORNELL-DUBILIER PART No.	GENERAL ELECTRIC PART No.	GENERAL INSTRUMENT PART No.	MALLORY PART No.	SPRAGUE PART No.
C1	80	6		CRE320	NLW75-10	MT1-18	BL1620	TT6X80	TE-1102
C2	10	3		CRE207A	NLW10-3				TE-1053
C3	1	10		CRE400	NLW1-50	MT1-1			TE-1120
C4	20	3		CRE211A	NLW20-6				TE-1054

## FIXED CAPACITORS

ITEM No.	RATING	REMARKS	REPLACEMENT DATA					
			AEROVOX PART No.	CENTRALAB PART No.	CORNELL-DUBILIER PART No.	ELMENCO PART No.	MALLORY PART No.	SPRAGUE PART No.
C10	.02	5% (95)†	TTD-02	CK-203	H3		TA-120	TG-S20
C11	.005		TTD-005	CK-502	H1		TA-250	TG-D50
C12	.01		TTD-01	CK-103	H2		TA-110	TG-S10
C13	100			DTZ-100	C10T1C		CNO-310	10TCC-T10
C14	.04			TTD-05	CK-503	H5	TA-150	TG-S50
C15	.01			TTD-01	CK-103	H2	TA-110	TG-S10
C16	25		5%		DTZ-25	C10Q25C	CNO-425	10TCC-Q25
C17	.04			TTD-05	CK-503	H5	TA-150	TG-S50
C18	.01			TTD-01	CK-103	H2	TA-110	TG-S10
C19	.01			TTD-01	CK-103	H2	TA-110	TG-S10
C20	.001		Note 1		DM-102			
C21	.02			TTD-02	CK-203	H3		TA-120

Note 1 Not used in some versions.

† Alternate Value

## CONTROLS

All wattages 1/2 watt, or less, unless otherwise listed.

ITEM No.	USE	RESISTANCE	REPLACEMENT DATA				
			TOSHIBA PART No.	CENTRALAB PART No.	CLAROSTAT PART No.	CTS-IRC PART No.	MALLORY PART No.
R1	Volume and Switch	5000Ω	82.04A	B16-214①			

① Use original knob.

# DESCRIPTION

## COILS (RF-IF)

ITEM No.	USE	REPLACEMENT DATA					NOTES
		TOSHIBA PART No.	MERIT PART No.	MILLER PART No.	STANCOR PART No.	WORKMAN PART No.	
L1	Loopstick Osc. 1st IF 2nd IF 3rd IF						
L2							
L3							
L4							
L5							

## TRANSFORMER (DRIVER)

ITEM No.	TURNS RATIO		REPLACEMENT DATA					NOTES
	PRI.	SEC.	TOSHIBA PART No.	MERIT PART No.	STANCOR PART No.	THORDARSON PART No.	TRIAD PART No.	
T1	1	1.2						

## TRANSFORMER (AUDIO OUTPUT)

ITEM No.	IMPEDANCE		REPLACEMENT DATA					NOTES
	PRI.	SEC.	TOSHIBA PART No.	MERIT PART No.	STANCOR PART No.	THORDARSON PART No.	TRIAD PART No.	
T2	300Ω CT	8-8Ω						

## SPEAKER

ITEM No.	TYPE			REPLACEMENT DATA		NOTES
				TOSHIBA PART No.	QUAM PART No.	
SP1	2 1/4"	PM	8Ω	2301C	22A06Z8	

## BATTERIES

ITEM No.	VOLTAGE	TOSHIBA PART No.	REPLACEMENT DATA			NOTES
			BURGESS	EVEREADY	MALLORY	
M1	1½V		930 or AL-9 or HG-9	1015 or E91 or E9	M-15R or MNI500 or ZM-9	3 Required

## MISCELLANEOUS

ITEM No.	PART NAME	TOSHIBA PART No.	NOTES
M2 M3	Tuning Cap Diode		2 Gang Detector (1N60)

## CABINETS & CABINET PARTS

(When Ordering Specify Model, Chassis & Color)

## WIRING DATA

General-use Unshielded Hook-up Wire .....	Use BELDEN No. 8530 (Solid 22AWG) 8524 (Stranded 22AWG) 8570 (Stranded 26AWG)	Available in 12 Colors
---	---	------------------------------