

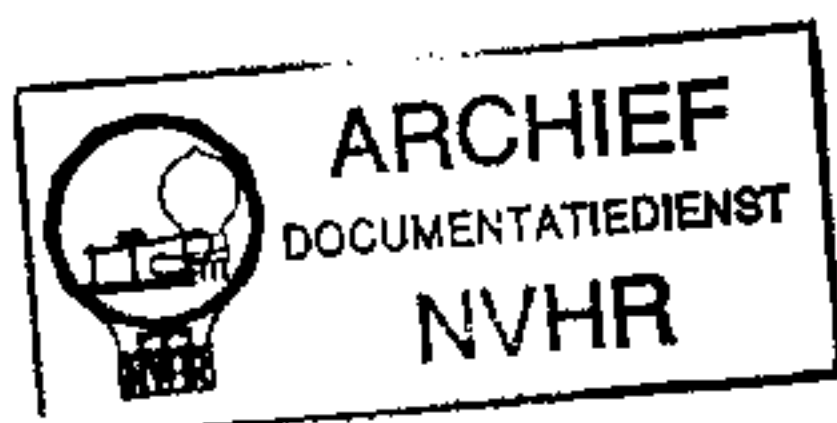
PHOTOFACT® Folder

with CIRCUITRACE®

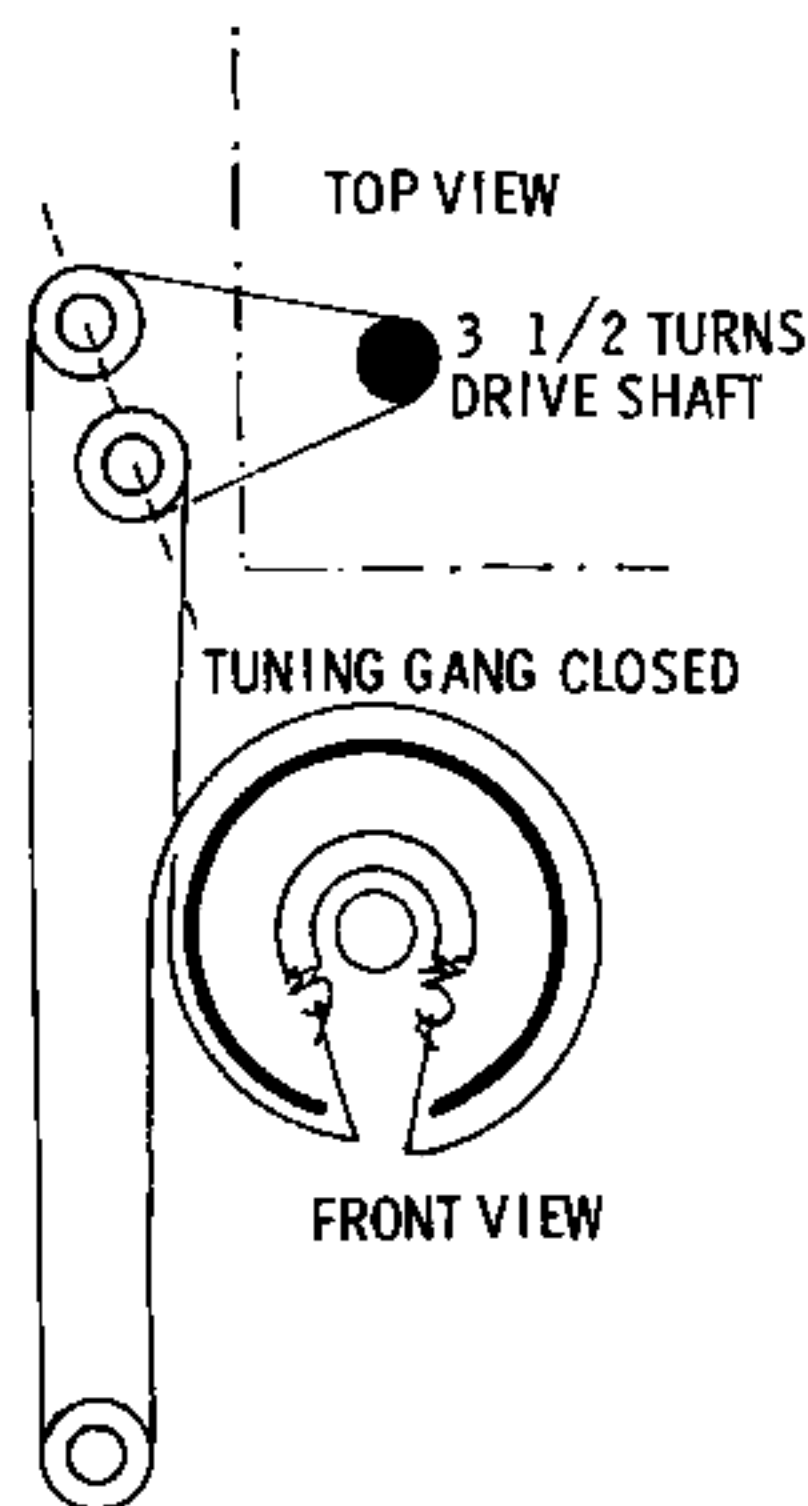
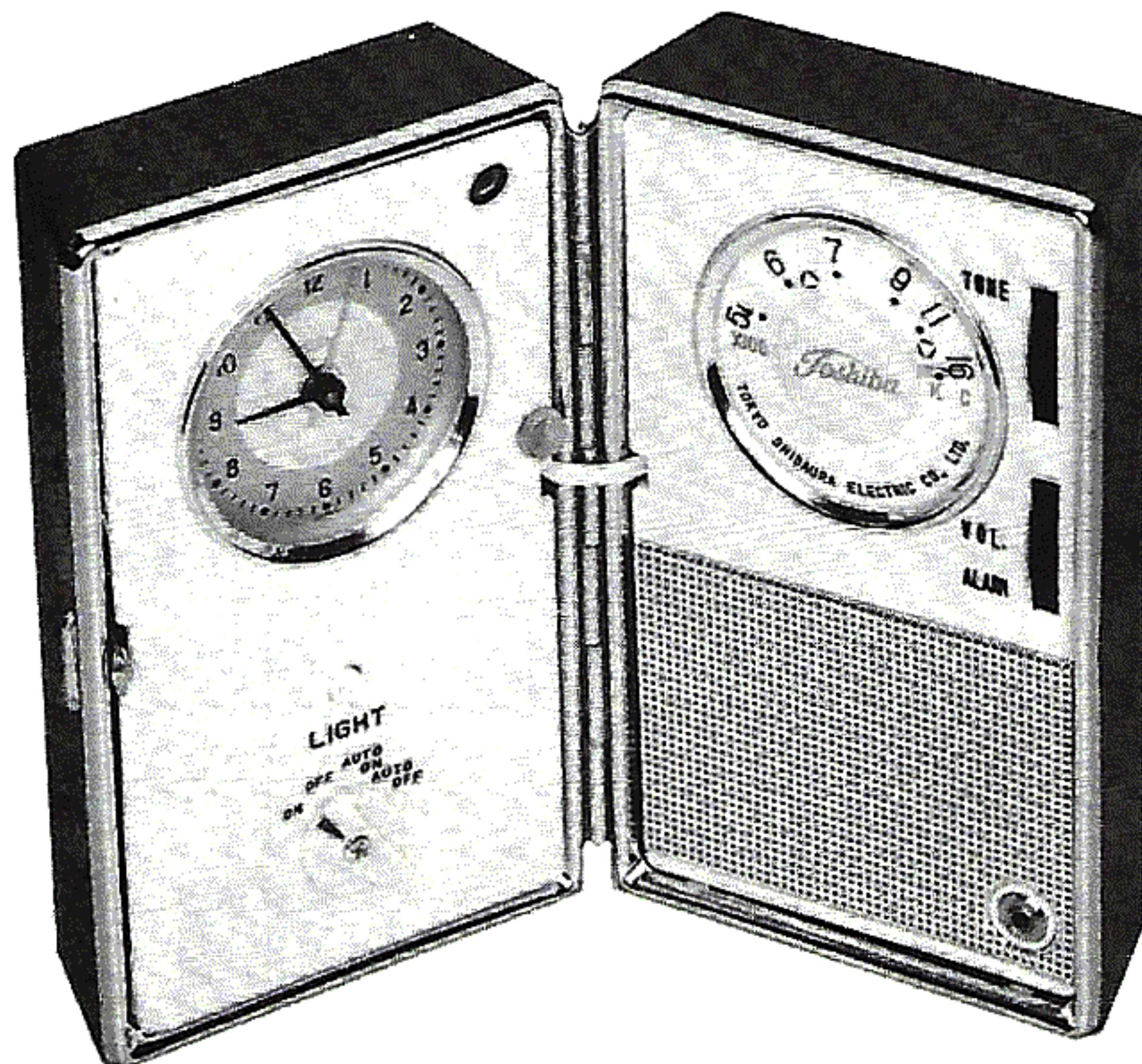
TOSHIBA
MODEL 6TC-485

Met dank aan Jef Bos

Ned. Ver. v. Historie v/d Radio



DIAL CORD STRINGING



TRADE NAME	Toshiba Model 6TC-485		
SUPPLIER	Transistor World Corp., 513 W. 24th Street, New York 11, N. Y.		
TYPE SET	Battery Operated 6 Transistor AM Receiver With Clock		
POWER SUPPLY	6 Volts DC (Radio), 1.5 Volts DC (Lamp)	RATING	5MA @ 6 Volts DC (No Signal, Min. Volume)
TUNING RANGE—BROADCAST	540 — 1620KC		12MA @ 6 Volts DC (Signal, Normal Volume)

ALIGNMENT INSTRUCTIONS

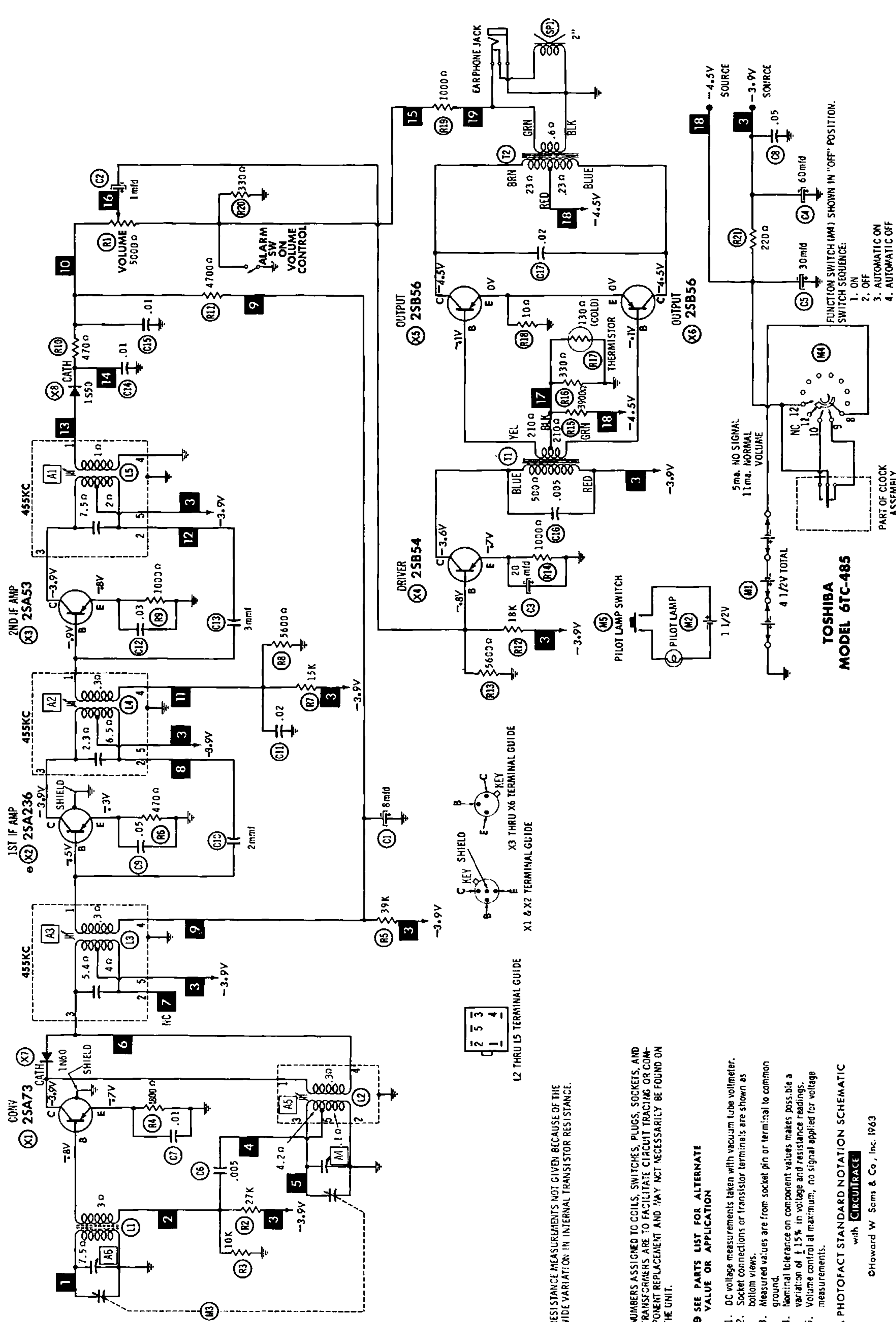
ALIGNMENT INSTRUCTIONS—READ CAREFULLY BEFORE ATTEMPTING ALIGNMENT						
Use only enough generator output to provide a usable indication. Suggested Alignment Tools: A1 thru A6.....GENERAL CEMENT #5000, 5003, 5066, 8276, 8290, 9087, 9089 WALSCO #2512, 2525, 2528						
	SIGNAL GENERATOR COUPLING	SIGNAL GENERATOR FREQUENCY	RADIO DIAL SETTING	INDICATOR	ADJUST	REMARKS
1.	Fashion loop of several turns of wire and radiate signal into loop of receiver.	455KC (Unmod.)	Tuning gang fully open.	DC VTVM across Volume Control.	A1, A2, A3	Adjust for maximum deflection.
2.	"	1620KC	"	"	A4	"
3.	"	540KC	Tuning gang fully closed.	"	A5	Adjust for maximum deflection while rocking tuning gang. Repeat Step 2.
4.	"	1400KC	1400KC	"	A6	Adjust for maximum deflection.

HOWARD W. SAMS & CO., INC. Indianapolis 6, Indiana

The listing of any available replacement part herein does not constitute in any case a recommendation, warranty or guaranty by Howard W. Sams & Co., Inc., as to the quality and suitability of such replacement part. The numbers of these parts have been compiled from information furnished to Howard W. Sams & Co., Inc., by the manufacturers of the particular type of replacement LF620

part listed. Reproduction or use, without express permission, of editorial or pictorial content, in any manner, is prohibited. No patent liability is assumed with respect to the use of the information contained herein. ©1963 Howard W. Sams & Co., Inc., Indianapolis 6, Indiana.

Printed in U.S. of America



PARTS LIST AND DESCRIPTION

WIRING DATA

General-use Unshielded Hook-up Wire Use BELDEN No. 8530 (Solid 22AWG) Available in 12 Colors
 8524 (Stranded 22AWG)
 8570 (Stranded 26AWG)

TRANSISTORS

ITEM No.	ORIG. TYPE	USE	REPLACEMENT DATA			NOTES
			DELCO PART No.	GENERAL ELECTRIC PART No.	RCA PART No.	
X1	2SA73	Converter	DS25	GE-1		PNP
X2	2SA236	1st IF Amplifier	DS25	GE-1		PNP
	2SA73*	1st IF Amplifier	DS25	GE-1		PNP
X3	2SA53	2nd IF Amplifier	DS25	GE-1	2N410	PNP
X4	2SB54	Driver	DS26	GE-2	2N406	PNP
X5	2SB56	Output	DS26	GE-2	2N408	PNP
X6	2SB56	Output	DS26	GE-2	2N408	PNP

* Alternate

POWER RECTIFIERS & SIGNAL DIODES

ITEM No.	CURRENT RATING (Measured)	ORIGINAL Part or Type No.	RECTIFIERS		DIODES	NOTES
			RCA PART No.	SARKES TARZIAN PART No.		
X7		1N60				Overload Detector
X8		1S50				

ELECTROLYTIC CAPACITORS

ITEM No.	RATING		REPLACEMENT DATA						
	CAP.	VOLT.	TOSHIBA PART No.	AEROVOX PART No.	CORNELL-DUBILIER PART No.	GENERAL ELECTRIC PART No.	MALLORY PART No.	PYRAMID PART No.	SPRAGUE PART No.
C1	8	5	5U8A	CRE306	NLW8-10				TE-1086
C2	1	10	10U1A	CRE400	NLW1-50	MT1-1			TE-1120
C3	20	3	3U20A	CRE211	NLW20-6				TE-1054
C4	60	6	6U80A						
C5	30	6	6U30A						

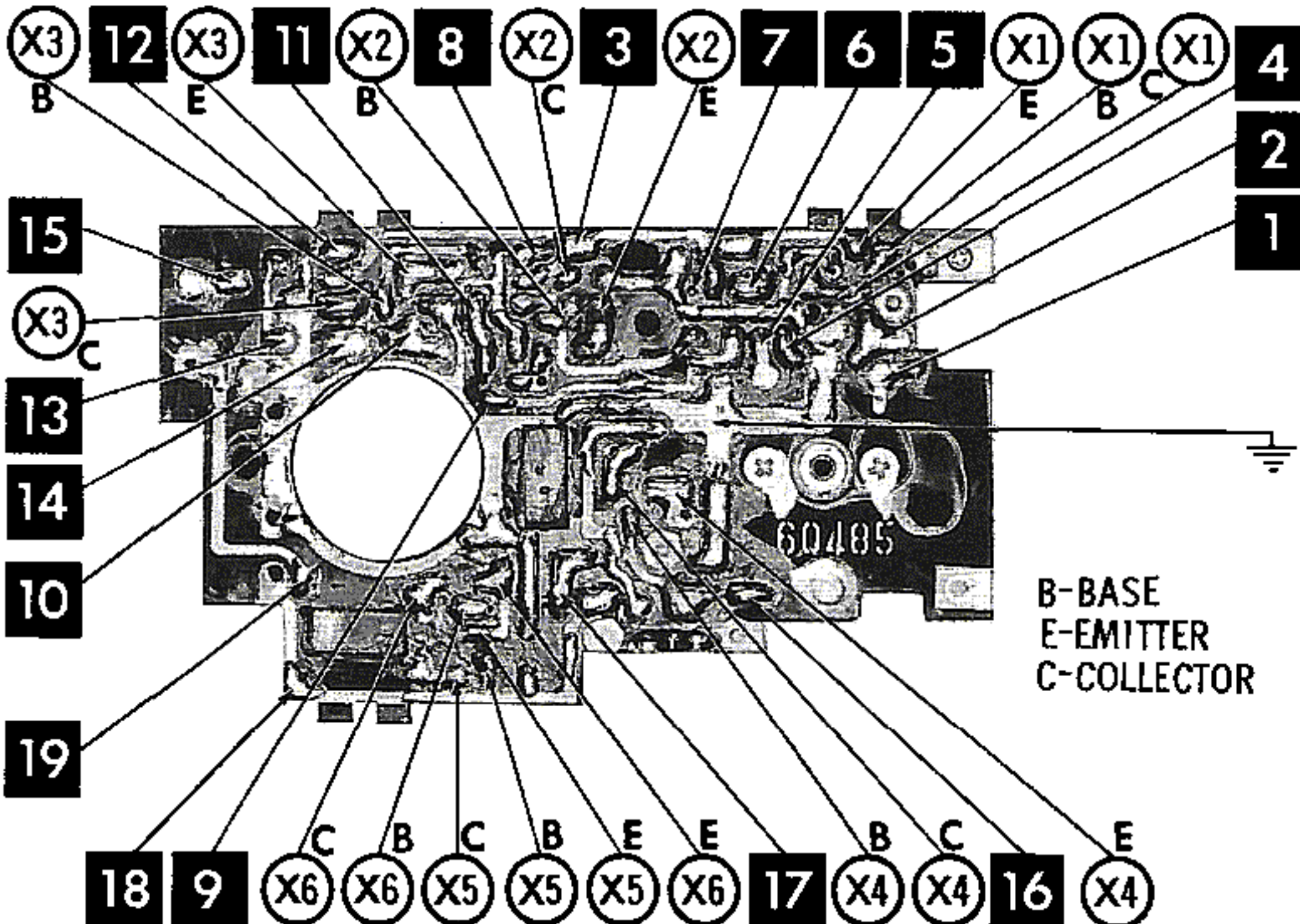
FIXED CAPACITORS

ITEM No.	RATING	REMARKS	REPLACEMENT DATA					
			AEROVOX PART No.	CENTRALAB PART No.	CORNELL-DUBILIER PART No.	ELMENCO PART No.	MALLORY PART No.	SPRAGUE PART No.
C6	.005		TTD-005	DM-502	H-05D5		TA-250	TG-D50
C7	.01		TTD-01	DM-103	H-05S1		TA-110	TG-S10
C8	.05		TTD-05	DA-503	H-05S5			TG-S50
C9	.05		TTD-05	DA-503	H-05S5			TG-S50
C10	2							
C11	.02		TTD-02	DA-203	H-05S2		TA-120	TG-S20
C12	.05		TTD-05	DA-503	H-05S5			TG-S50
C13	3							
C14	.01		TTD-01	DM-103	H-05S1		TA-110	TG-S10
C15	.01		TTD-01	DM-103	H-05S1		TA-110	TG-S10
C16	.005		TTD-005	DM-502	H-05D5		TA-250	TG-D50
C17	.02		TTD-02	DA-203	H-05S2		TA-120	TG-S20

CONTROLS

All wattages 1/2 watt, or less, unless otherwise listed.

ITEM No.	USE	RESISTANCE	REPLACEMENT DATA				
			TOSHIBA PART No.	CENTRALAB PART No.	CLAROSTAT PART No.	CTS-IRC PART No.	MALLORY PART No.
R1	Volume & Switch	5000Ω	12T 5KΩ				



X3 B 12 X3 E 11 X2 B 8 X2 C 3 X2 E 7 6 5 X1 E X1 B X1 C 4
 2
 1

15

X3 C

13

14

10

19

B-BASE
 E-EMITTER
 C-COLLECTOR

18 9 X6 C X6 B X5 C X5 B X5 E X6 E X4 B X4 C 16 X4 E

PARTS LIST AND DESCRIPTION (CONTINUED)

RESISTORS

All wattages 1/2 watt, or less, unless otherwise listed.

ITEM No.	RATING	REPLACEMENT DATA			ITEM No.	RATING	REPLACEMENT DATA		
		IRC PART No.	WORKMAN PART No.	REMARKS			IRC PART No.	WORKMAN PART No.	REMARKS
R2	27K				R12	18K			
R3	10K				R13	5600Ω			
R4	1800Ω				R14	1000Ω			
R5	39K				R15	3900Ω			
R6	470Ω				R16	330Ω			
R7	15K				R17	130Ω Cold			
R8	5600Ω				R18	10Ω			
R9	1000Ω				R19	1000Ω			
R10	470Ω				R20	330Ω			
R11	4700Ω				R21	220Ω			

COILS (RF-IF)

ITEM No.	USE	REPLACEMENT DATA					NOTES
		TOSHIBA PART No.	Merit PART No.	Miller PART No.	Stancor PART No.	Workman PART No.	
L1	Loop Bar	LH-200					
L2	Osc.	LH-193					
L3	1st IF	IT-0793					
L4	2nd IF	IT-0794					
L5	3rd IF	IT-0795					

TRANSFORMER (DRIVER)

ITEM No.	TURNS RATIO		REPLACEMENT DATA					NOTES
	PRI.	SEC.	TOSHIBA PART No.	MERIT PART No.	STANCOR PART No.	THORDARSON PART No.	TRIAD PART No.	
T1	1.1	1	DT-0415B					

TRANSFORMER (AUDIO OUTPUT)

ITEM No.	IMPEDANCE		REPLACEMENT DATA					NOTES
	PRI.	SEC.	TOSHIBA PART No.	Merit PART No.	Stancor PART No.	Thordarson PART No.	Triad PART No.	
T2	600Ω CT	6-8Ω	MT-04106B					

SPEAKER

ITEM No.	TYPE			REPLACEMENT DATA		NOTES
	SIZE	FIELD	V. C. IMP.	TOSHIBA PART No.	QUAM PART No.	
SP1	2"	PM	6-8Ω	SP-2001B		

BATTERIES

ITEM No.	VOLTAGE	TOSHIBA PART No.	REPLACEMENT DATA						NOTES
			BURGESS		EVEREADY		MALLORY		
			"A"	"B"	"A"	"B"	"A"	"B"	
M1	1½V	UM-3		930		1015		M-15R	Radio Power (3 Required) Pilot Light Power
M2	1½V	UM-3		930		1015		M-15R	

MISCELLANEOUS

ITEM No.	PART NAME	TOSHIBA PART No.	NOTES
M3	Tuning Cap.	VC-2030	2 Gang Function Selector Pilot Light
M4	Switch		
M5	Switch		

