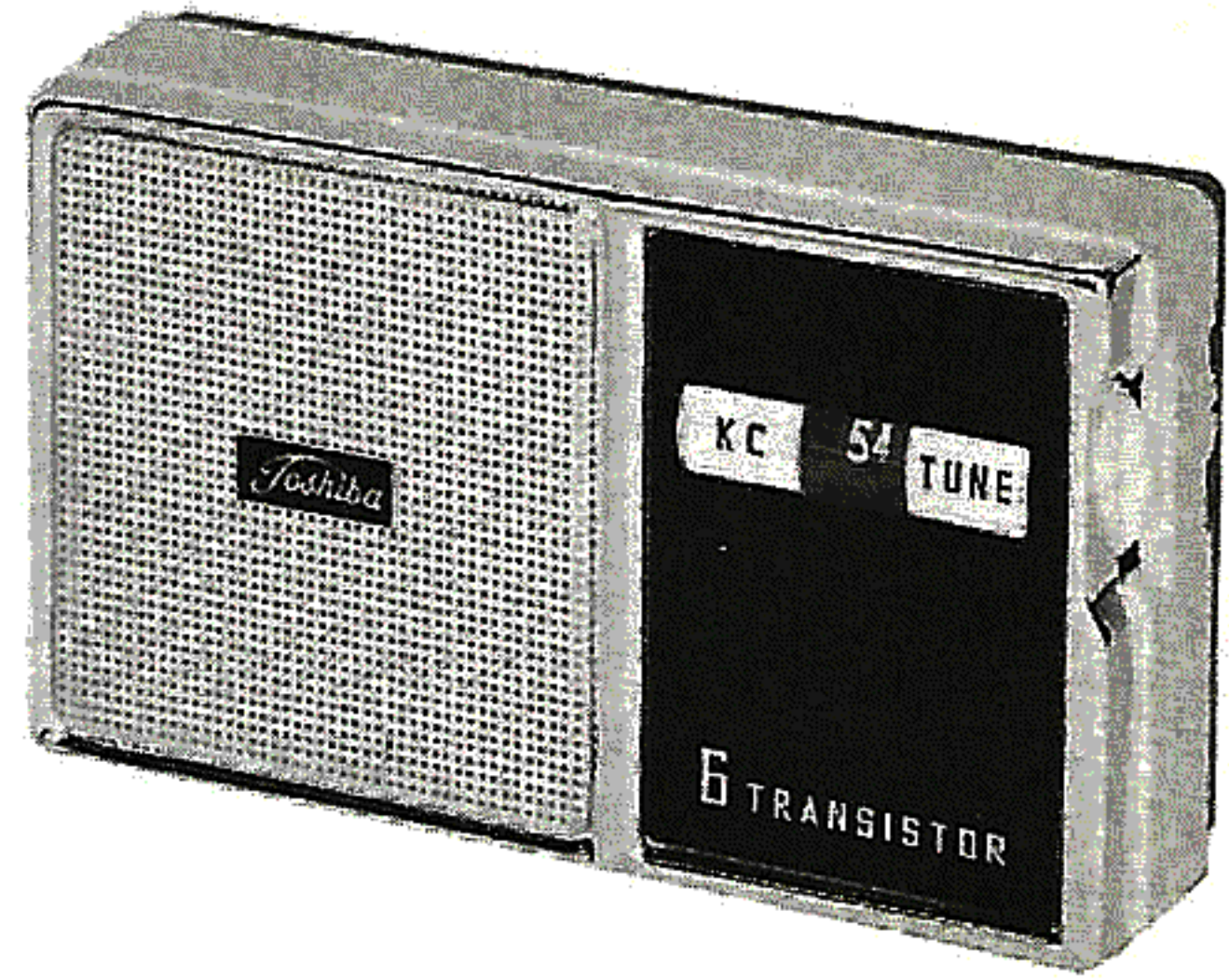


with

CIRCUITRACE[®]

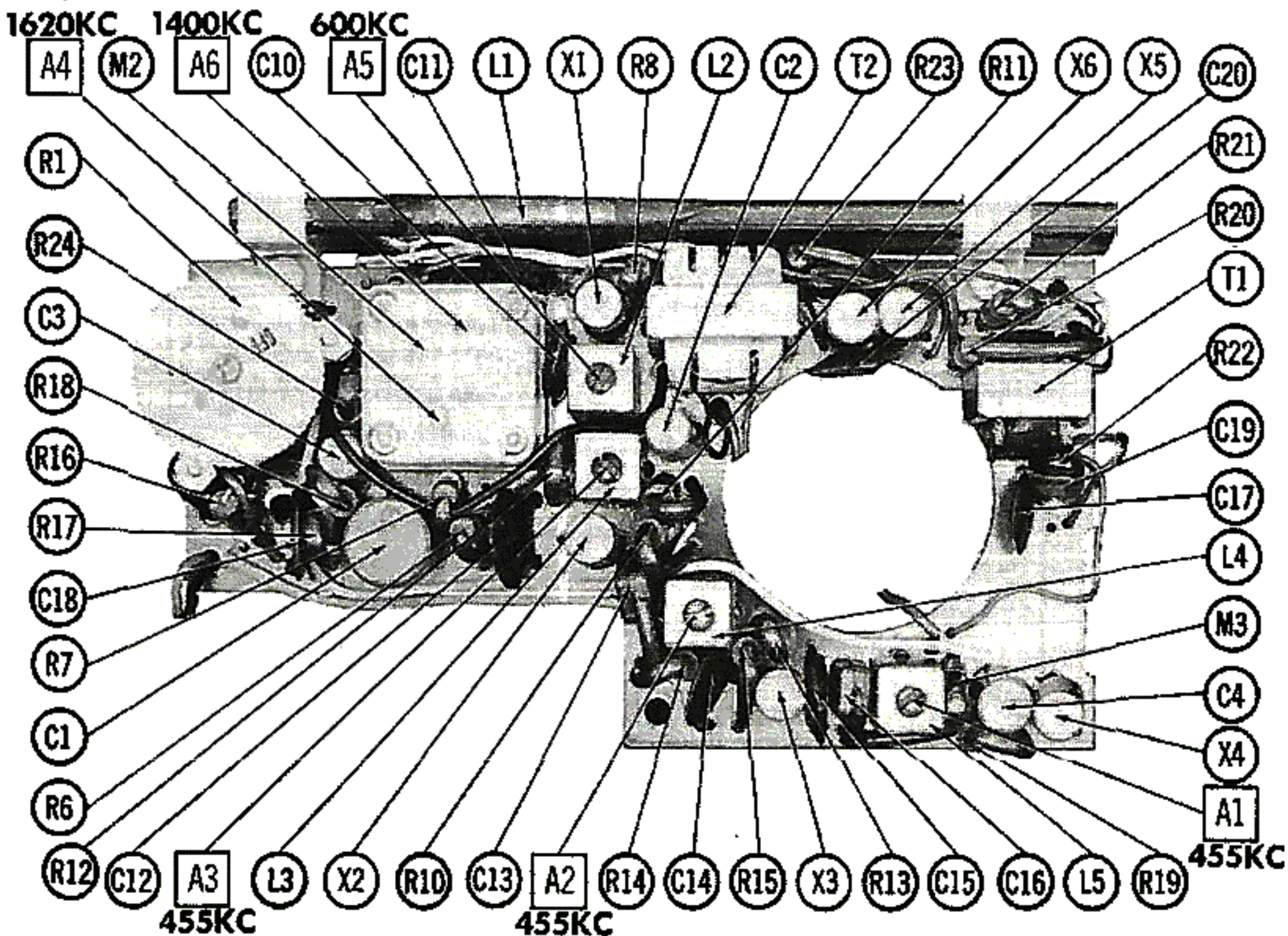


TRADE NAME: Toshiba Model 6P-10
SUPPLIER: Transistor World Corp.
 513 W. 24th Street, New York 11, N. Y.
TYPE SET: 6 Transistor AM Receiver
POWER SUPPLY: 9 Volts DC
RATING: 8MA@9VDC (No Signal, Min. Volume)
 25MA@9VDC (Signal, Normal Volume)
TUNING RANGE: BROADCAST 535 - 1620KC

ALIGNMENT INSTRUCTIONS

Check for specified source voltage.
 Fashion loop of several turns of wire and connect generator across loop.
 Adjust output of generator to radiate only enough signal into receiver to obtain a suitable indication.
 Suggested Alignment Tools:
 A1, A2, A3, A5.....GENERAL CEMENT #5067, 8282, 8606
 WALSCO #2526, 2543
 A4, A6.....GENERAL CEMENT #5000, 5066, 8290
 WALSCO #2512, 2525, 2528

SIGNAL GENERATOR FREQUENCY	RADIO DIAL SETTING	INDICATOR	ADJUST	REMARKS
1. 455KC (400% Mod.)	Tuning gang fully open.	Output Meter across voice coil.	A1, A2, A3	Adjust for maximum. Repeat as required.
2. 1620KC	"	"	A4	Adjust for maximum.
3. 600KC	Tune to Signal.	"	A5	Rock tuning gang and adjust for maximum. Repeat steps 2 and 3.
4. 1400KC	"	"	A6	Adjust for maximum.



TRANSISTORS

ITEM No.	ORIG. TYPE	USE	REPLACEMENT DATA			NOTES
			DELCO PART No.	GENERAL ELECTRIC PART No.	RCA PART No.	
X1	2SA73	Converter	DS-25			PNP
X2	2SA49	1st IF Amplifier	DS-25			PNP
X3	2SA53	2nd IF Amplifier	DS-25			PNP
X4	2SB54	Driver			2N406	PNP
X5	2SB56	Output			2N408	PNP
X6	2SB56	Output			2N408	PNP

ELECTROLYTIC CAPACITORS

ITEM No.	RATING		REPLACEMENT DATA						
	CAP.	VOLT.	TOSHIBA PART No.	AEROVOX PART No.	CORNELL-DUBILIER PART No.	GENERAL ELECTRIC PART No.	GENERAL INSTRUMENT PART No.	MALLORY PART No.	SPRAGUE PART No.
C1	30	10		BCD10025	ECPB412	MT1-16	BL1430	TT10X30	TE-1132
C2	10	3		CRE207A	NLW10-3	MT1-5	MLV10-3	TT3X10	TE-1053
C3	10	3		CRE207A	NLW10-3	MT1-5	MLV10-3	TT3X10	TE-1053
C4	20	3		CRE211A	NLW20-6	MT1-13	MLV20-12	TT12X20	TE-1054

FIXED CAPACITORS

ITEM No.	RATING	REMARKS	REPLACEMENT DATA					
			AEROVOX PART No.	CENTRALAB PART No.	CORNELL-DUBILIER PART No.	ELMENCO PART No.	MALLORY PART No.	SPRAGUE PART No.
C10	.005		TTD-005	CK-502	H1		TA-250	TG-D50
C11	.005		TTD-005	CK-502	H1		TA-250	TG-D50
C12	.05		TTD-05	CK-503	H5		TA-150	TG-S50
C13	82 5%		1469-000085	CPR-82J	LA10Q82-S3	CM-15E-820J	MCB232	MS-482
C14	.01		TTD-01	CK-103	H2		TA-110	TG-S10
C15	.05		TTD-05	CK-503	H5		TA-150	TG-S50
C16	25 5%		1469-000025	CPR-24J	LA10Q25-S2	CM-15E-240J	MC220	MS-425
C17	.01		TTD-01	CK-103	H2		TA-110	TG-S10
C18	.01		TTD-01	CK-103	H2		TA-110	TG-S10
C19	.005		TTD-005	CK-502	H1		TA-250	TG-D50
C20	.02		TTD-02	CK-203	H3		TA-120	TG-S20

† Alternate Value.

CONTROLS

All wattages 1/2 watt, or less, unless otherwise listed.

ITEM No.	USE	RESISTANCE	REPLACEMENT DATA				
			TOSHIBA PART No.	CENTRALAB PART No.	CLAROSTAT PART No.	CTS-IRC PART No.	MALLORY PART No.
R1	Volume & Switch	5000Ω	(62.05)	B16-214①			

① Use Original Knob

DESCRIPTION

COILS (RF-IF)

ITEM No.	USE	REPLACEMENT DATA					NOTES
		TOSHIBA PART No.	MERIT PART No.	MILLER PART No.	STANCOR PART No.	WORKMAN PART No.	
L1	Loopstick Oscillator 1st IF 2nd IF 3rd IF						
L2							
L3							
L4							
L5							

TRANSFORMER (DRIVER)

ITEM No.	TURNS RATIO		REPLACEMENT DATA					NOTES
	PRI.	SEC.	TOSHIBA PART No.	MERIT PART No.	STANCOR PART No.	THORDARSON PART No.	TRIAD PART No.	
T1	1	1						

TRANSFORMER (AUDIO OUTPUT)

ITEM No.	IMPEDANCE		REPLACEMENT DATA					NOTES
	PRI.	SEC.	TOSHIBA PART No.	MERIT PART No.	STANCOR PART No.	THORDARSON PART No.	TRIAD PART No.	
T2	800Ω CT	6-8Ω						

SPEAKER

ITEM No.	TYPE	REPLACEMENT DATA		NOTES
		TOSHIBA PART No.	QUAM PART No.	
SP1	2 1/4" PM 6-8Ω			

BATTERIES

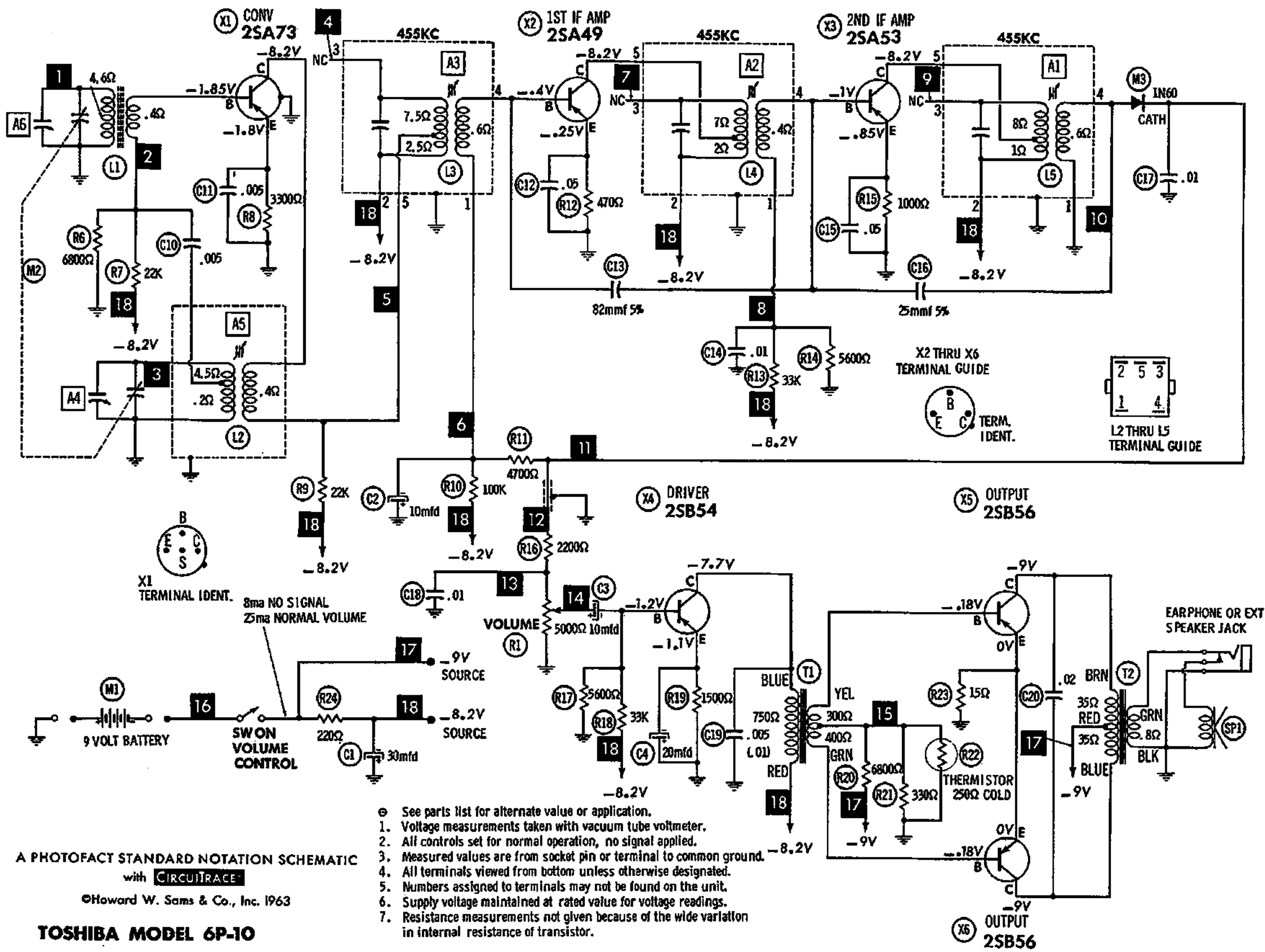
ITEM No.	VOLTAGE	TOSHIBA PART No.	REPLACEMENT DATA			NOTES
			BURGESS	EVEREADY	MALLORY	
M1	9		2U6 (or H146)	216 (or E146)	M-1604 (or MN1604, TR-146)	

MISCELLANEOUS

ITEM No.	PART NAME	TOSHIBA PART No.	NOTES
M2 M3	Tuning Cap. Detector(IN80)		

WIRING DATA

General-use Unshielded Hook-up Wire	Use BELDEN No. 8530 (Solid 22AWG) 8524 (Stranded 22AWG) 8570 (Stranded 26AWG)	Available in 12 Colors
-------------------------------------------	-------------------------------------------------------------------------------------	------------------------



A PHOTOFACIT STANDARD NOTATION SCHEMATIC
with CIRCUITRACE

©Howard W. Sams & Co., Inc. 1963

TOSHIBA MODEL 6P-10

