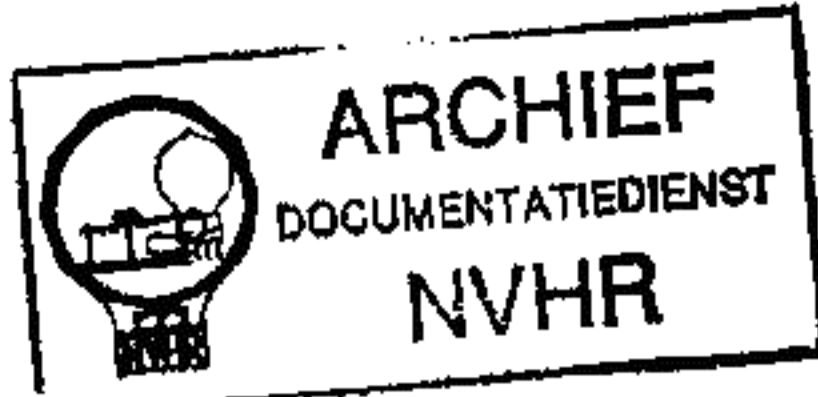




PHOTOFACT®

Met dank aan Jef Bos



TRADE NAME : Toshiba Model 62VT95
 SUPPLIER : Transistor World Corp.
 513 W. 24th Street, New York 11, N. Y.
 TYPE SET : 6 Transistor AM Receiver
 POWER SUPPLY : 9 Volts DC
 RATING : 8MA @ 9VDC (No Signal, Min. Volume)
 14MA @ 9VDC (Signal, Normal Volume)
 TUNING RANGE : BROADCAST 540 - 1620KC

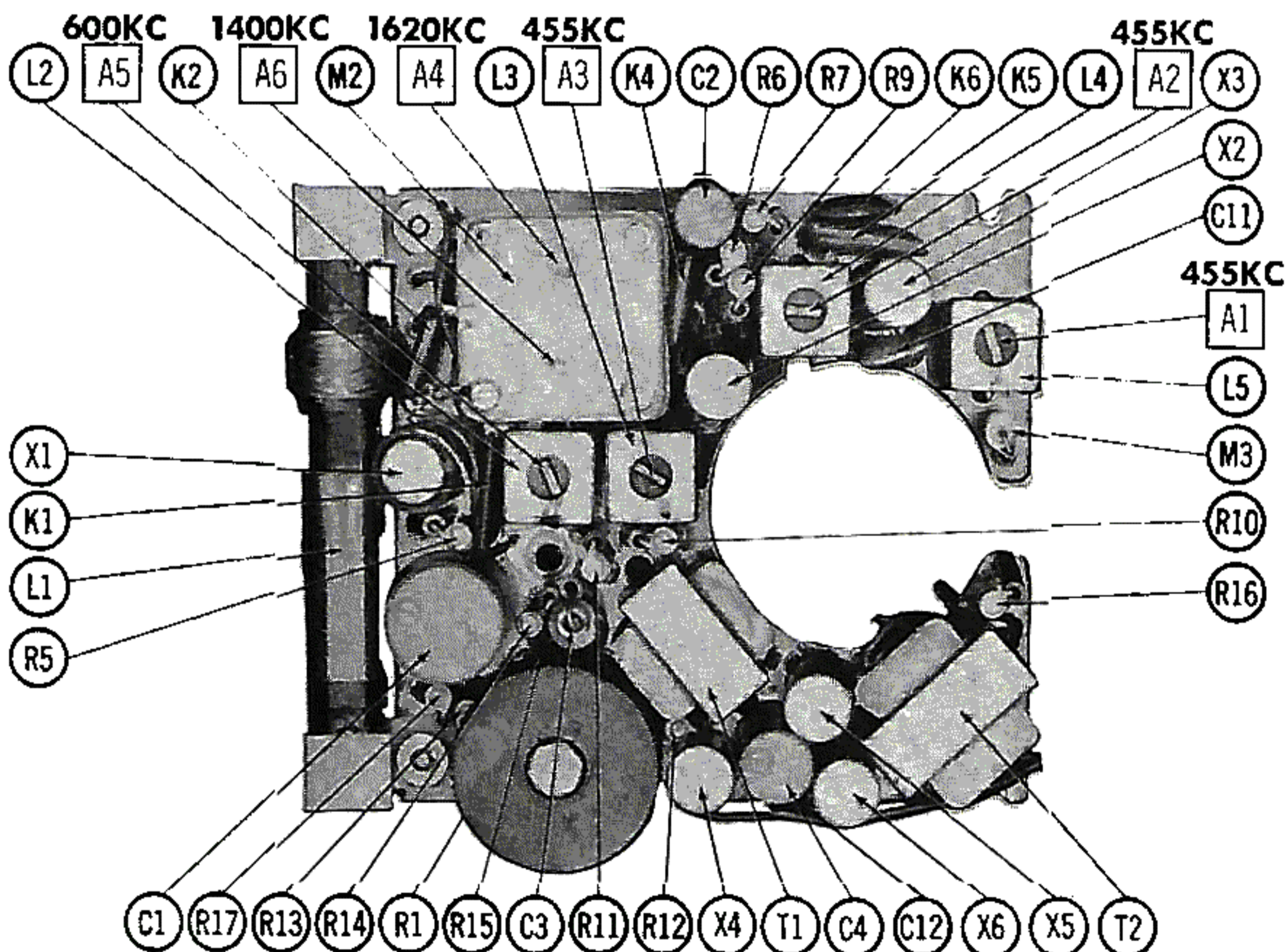


ALIGNMENT INSTRUCTIONS

Check for specified source voltage.
 Fashion loop of several turns of wire and connect generator across loop.
 Adjust output of generator to radiate only enough signal into receiver to obtain a suitable indication.
 Suggested Alignment Tools:

A1 thru A6..... GENERAL CEMENT #8282, 8606
 WALSCO #2543, 2544

	SIGNAL GENERATOR FREQUENCY	RADIO DIAL SETTING	INDICATOR	ADJUST	REMARKS
1.	455KC (400v Mod.)	Tuning gang fully open.	Output Meter across voice coll.	A1, A2, A3	Adjust for maximum. Repeat as required.
2.	1620KC	"	"	A4	Adjust for maximum.
3.	600KC	Tune to Signal.	"	A5	Rock tuning gang and adjust for maximum. Repeat steps 2 and 3.
4.	1400KC	"	"	A6	Adjust for maximum.



HOWARD W. SAMS & CO., INC. Indianapolis 6, Indiana

TRANSISTORS

ITEM No.	ORIG. TYPE	USE	REPLACEMENT DATA			NOTES
			DELCO PART No.	GENERAL ELECTRIC PART No.	RCA PART No.	
X1	2SA73	Converter	DS-25	GE-1		PNP
X2	2SA49	1st IF Amplifier	DS-25	GE-1		PNP
X3	2SA53	2nd IF Amplifier	DS-25	GE-1		PNP
X4	2SB54	Driver	DS-26	GE-2	2N406	PNP
X5	2SB56	Output	DS-26	GE-2	2N408	PNP
X6	2SB56	Output	DS-26	GE-2	2N408	PNP

ELECTROLYTIC CAPACITORS

ITEM No.	RATING		REPLACEMENT DATA						
	CAP.	VOLT.	TOSHIBA PART No.	AEROVOX PART No.	CORNELL-DUBILIER PART No.	GENERAL ELECTRIC PART No.	GENERAL INSTRUMENT PART No.	MALLORY PART No.	SPRAGUE PART No.
C1	40	10							
C2	10	3		CRE207A	NLW10-3				TE-1053
C3	1	10		CRE400A	NLW1-6	MT1-1			TE-1120
C4	20	3		CRE211A	NLW20-6				TE-1054

FIXED CAPACITORS

ITEM No.	RATING	REMARKS	REPLACEMENT DATA					
			AEROVOX PART No.	CENTRALAB PART No.	CORNELL-DUBILIER PART No.	ELMENCO PART No.	MALLORY PART No.	SPRAGUE PART No.
C10	5.6	(4.7) †	NPO-DI 5	DTZ-4R7	C10V47C	CCTO-050	CNO-547	10TCC-V56
C11	2.2 ±.5mmf		NPO-DI 2.2	DTZ-2R2	C10V22C	CCTO-2R2		10TCC-V22
C12	.005		TTD-005	CK-502	H1		TA-250	TG-D50
C13	.02		TTD-02	CK-203	H3		TA-120	TG-S20

† Alternate Value.

CONTROLS

All wattages 1/2 watt, or less, unless otherwise listed.

ITEM No.	USE	RESISTANCE	REPLACEMENT DATA				
			TOSHIBA PART No.	CENTRALAB PART No.	CLAROSTAT PART No.	CTS-IRC PART No.	MALLORY PART No.
R1	Volume & Switch	5000Ω					

COMPONENT COMBINATIONS

ITEM No.	USE	DESCRIPTION	TOSHIBA PART No.	REPLACEMENT DATA
K1	Oscillator Coupling	6800Ω, .005mfd		
K2	Conv. Emitter Bias	3300Ω, .01mfd		
K3	IF Emitter Bias	470Ω, .04mfd	B285P	
K4	IF Base Bias	5600Ω, .02mfd	F283P	
K5	IF Emitter Bias	1000Ω, .04mfd	F469P	
K6	Diode RF Filter	1000Ω, .01mfd, .01mfd	B024F	

COILS (RF-IF)

ITEM No.	USE	REPLACEMENT DATA					NOTES
		TOSHIBA PART No.	MERIT PART No.	MILLER PART No.	STANCOR PART No.	WORKMAN PART No.	
L1	Loopstick						
L2	Osc.						
L3	1st IF		BC-569	2061	RTC-9262		
L4	2nd IF		BC-570	2062	RTC-9263		
L5	3rd IF		BC-571	2063	RTC-9264		

AND DESCRIPTION

TRANSFORMER (DRIVER)

ITEM No.	TURNS RATIO		REPLACEMENT DATA					NOTES
			TOSHIBA PART No.	MERIT PART No.	STANCOR PART No.	THORDARSON PART No.	TRIAD PART No.	
	PRI.	SEC.						
T1	1	1						

TRANSFORMER (AUDIO OUTPUT)

ITEM No.	IMPEDANCE		REPLACEMENT DATA					NOTES
			TOSHIBA PART No.	MERIT PART No.	STANCOR PART No.	THORDARSON PART No.	TRIAD PART No.	
	PRI.	SEC.						
T2	800Ω CT	6-8Ω						

SPEAKER

ITEM No.	TYPE	REPLACEMENT DATA		NOTES
		TOSHIBA PART No.	QUAM PART No.	
SP1	2" PM 6-8Ω	SP-2001A		

BATTERIES

ITEM No.	VOLTAGE	TOSHIBA PART No.	REPLACEMENT DATA			NOTES
			BURGESS	EVEREADY	MALLORY	
M1	9V		2U6 (or H146)	216 (or E146)	MN1604 (or M-1604, TR146)	

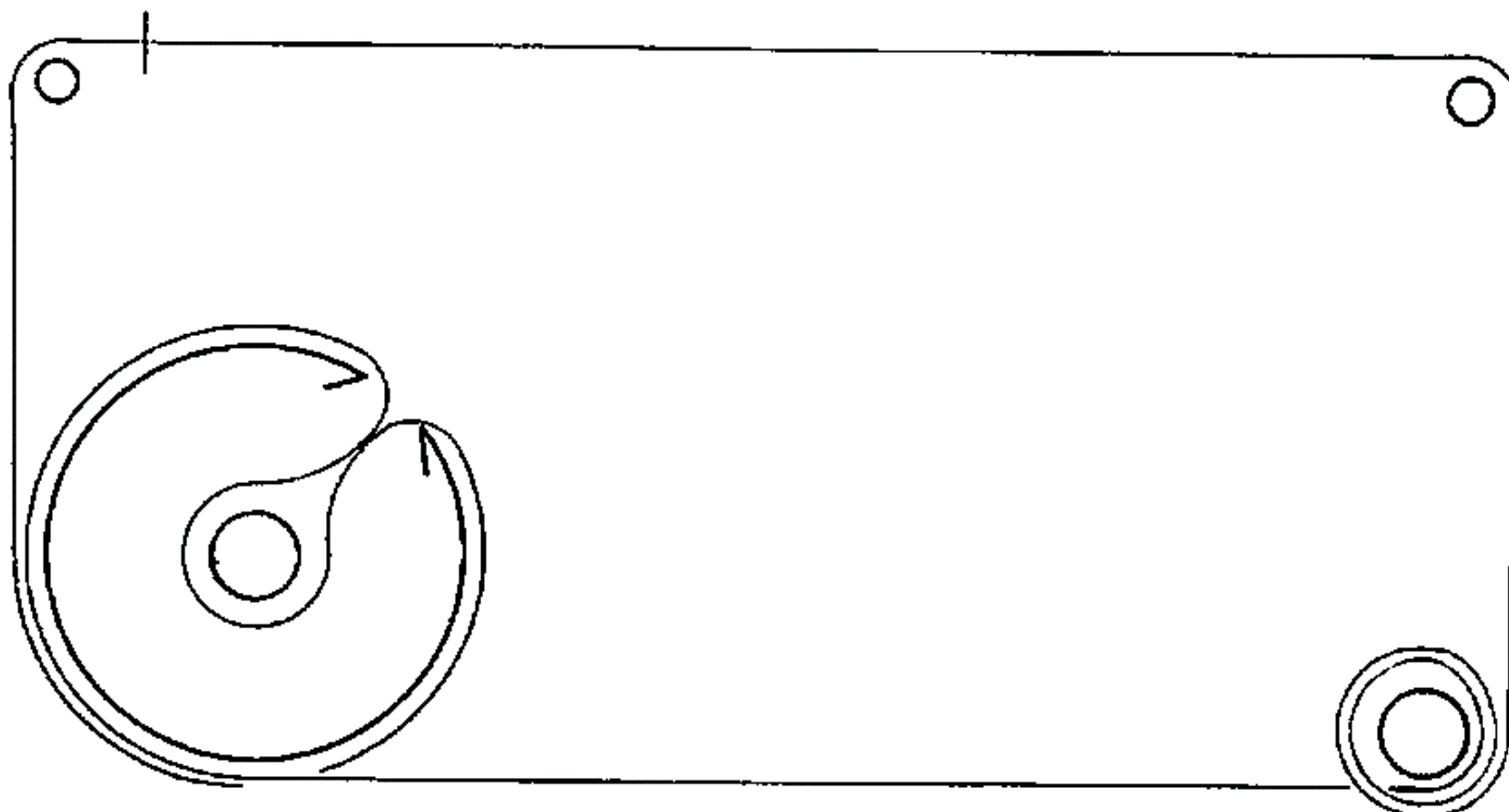
MISCELLANEOUS

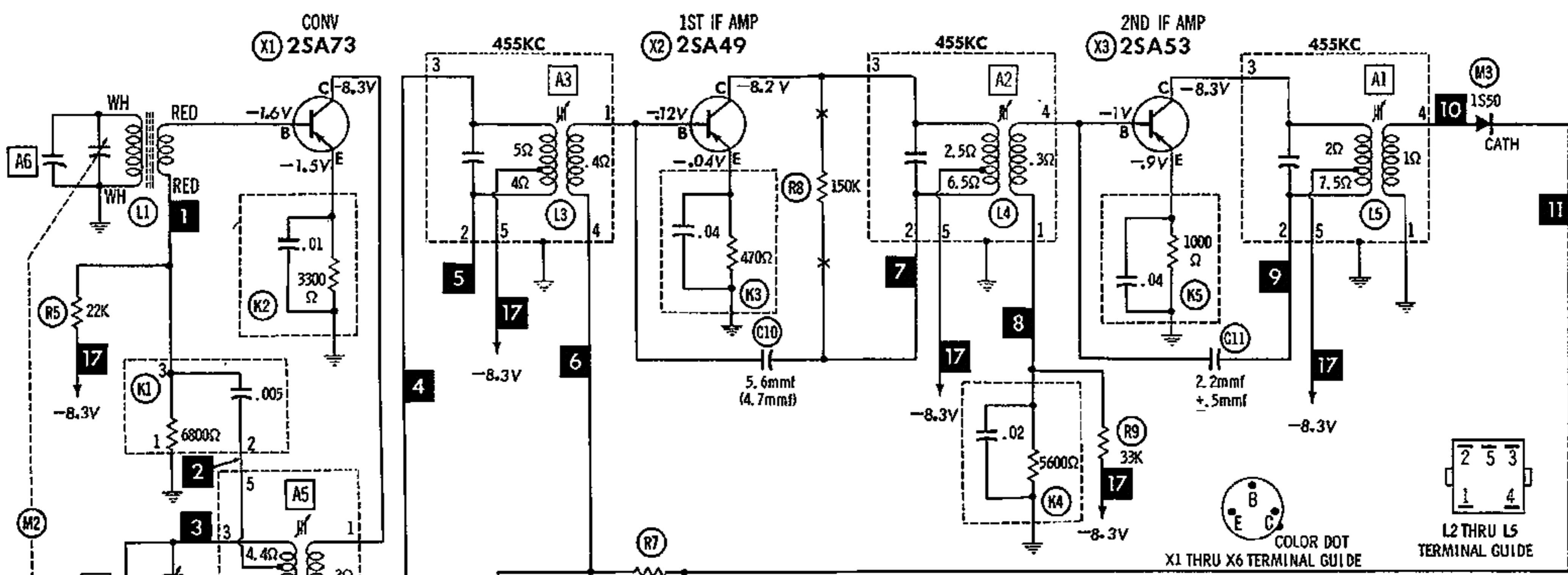
ITEM No.	PART NAME	TOSHIBA PART No.	NOTES
M2 M3	Tuning Cap. Detector (1S50)		

WIRING DATA

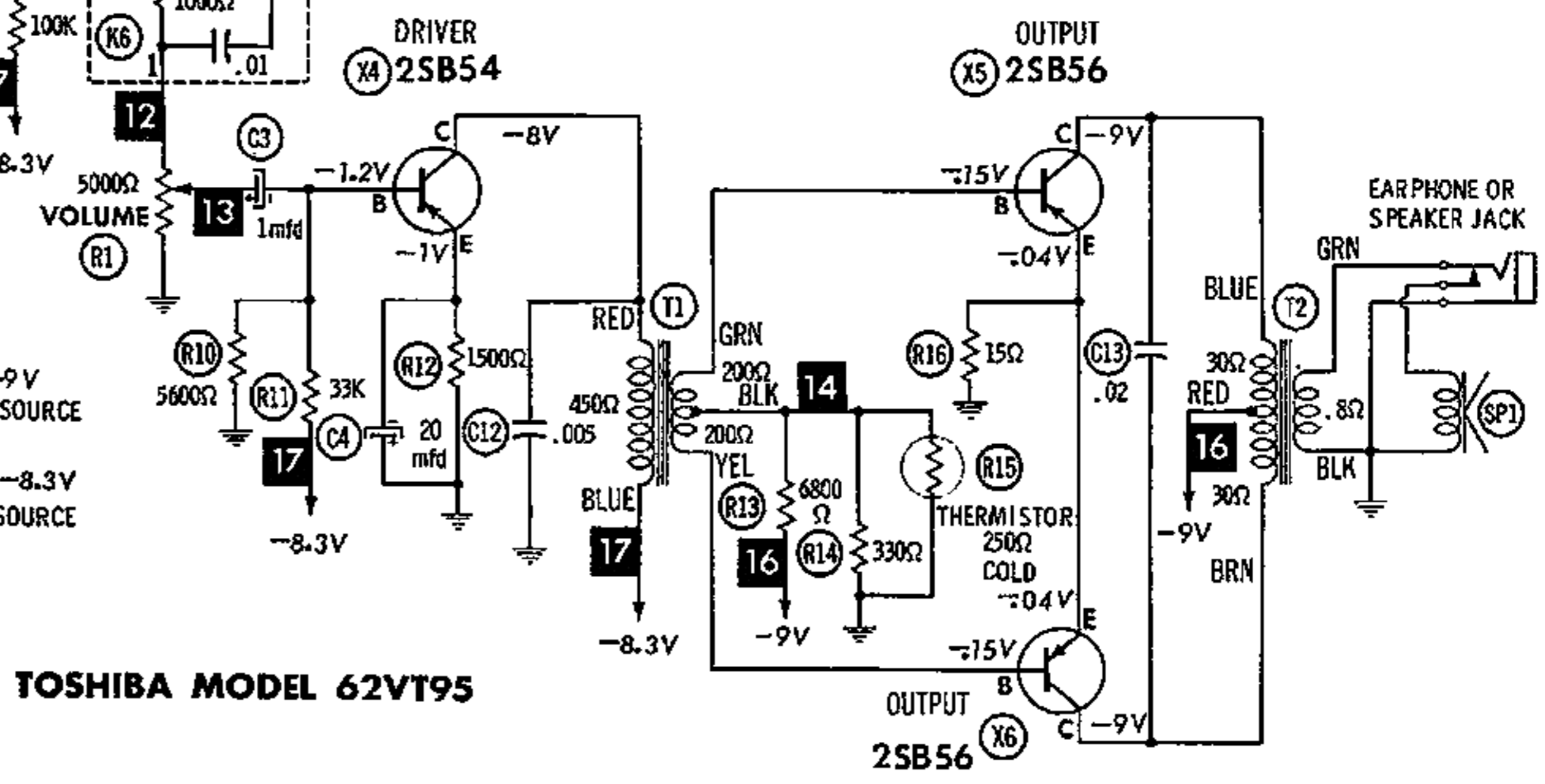
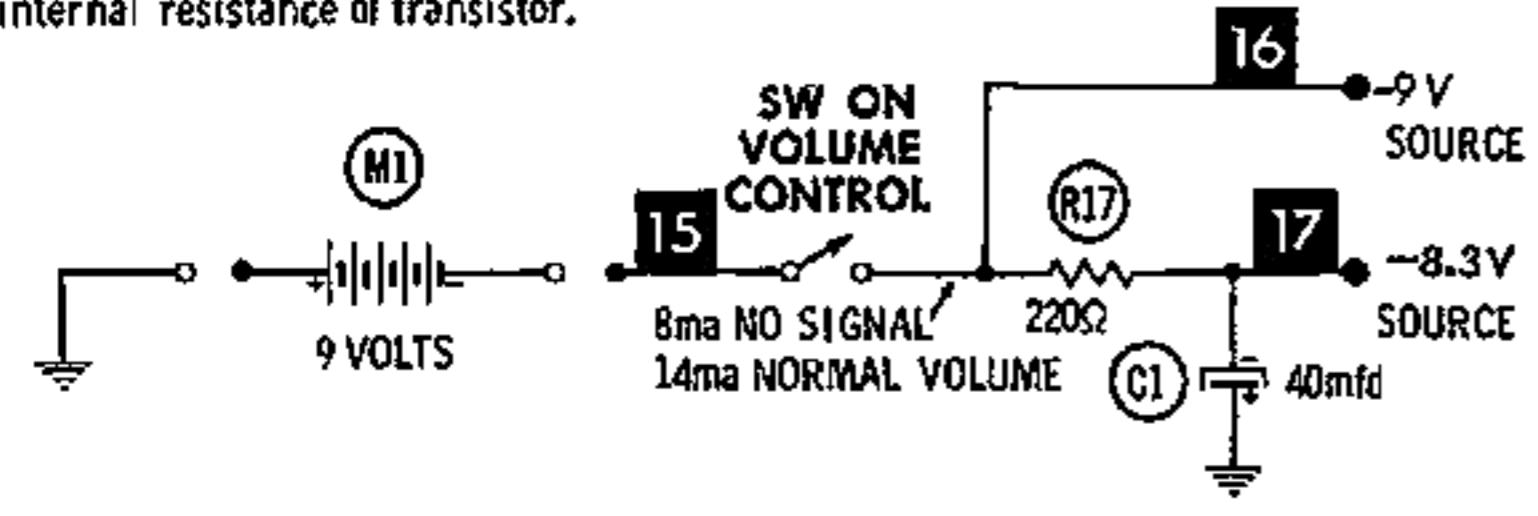
General-use Unshielded Hook-up Wire Use BELDEN No. 8530 (Solid 22AWG) Available in 12 Colors
 8524 (Stranded 22AWG)
 8570 (Stranded 26AWG)

DRIVE CORD STRINGING





1. Voltage measurements taken with vacuum tube voltmeter.
2. All controls set for normal operation, no signal applied.
3. Measured values are from socket pin or terminal to common ground.
4. All terminals viewed from bottom unless otherwise designated.
5. Numbers assigned to terminals may not be found on the unit.
6. Supply voltage maintained at rated value for voltage readings.
7. Resistance measurements not given because of the wide variation in internal resistance of transistor.



A PHOTOFAC STANDARD NOTATION SCHEMATIC with CIRCUITRACE

TOSHIBA MODEL 62VT95

©Howard W. Sams & Co., Inc. 1963

