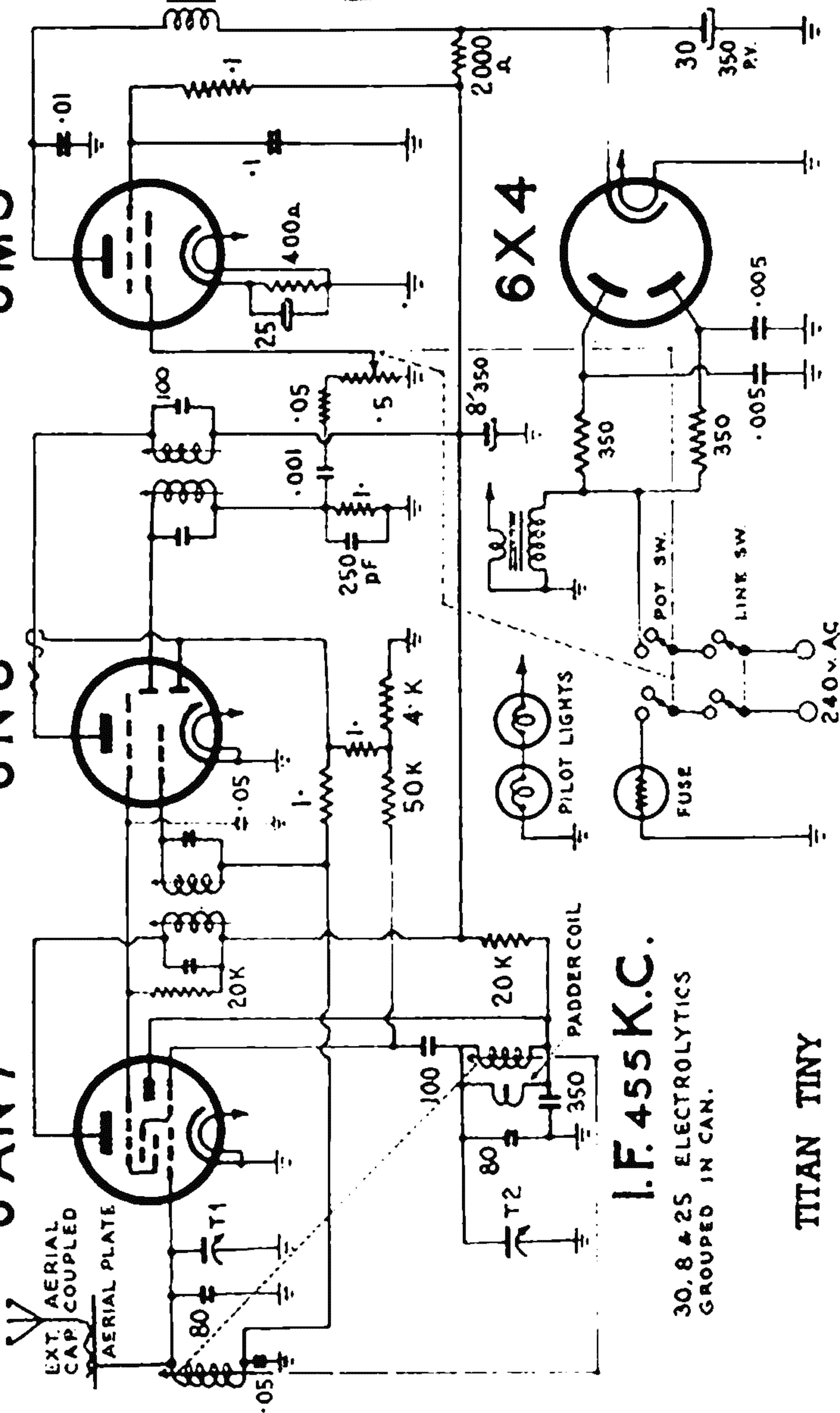


6M5

6N8

6AN7



I.F. 455 K.C.
 30, 8 & 25 ELECTROLYTICS
 GROUPED IN CAN.

TITAN TINY