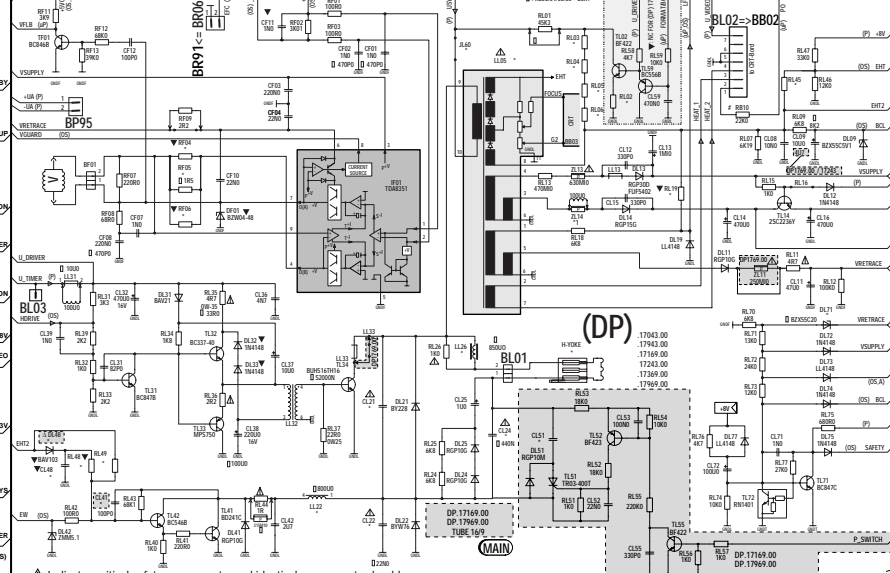
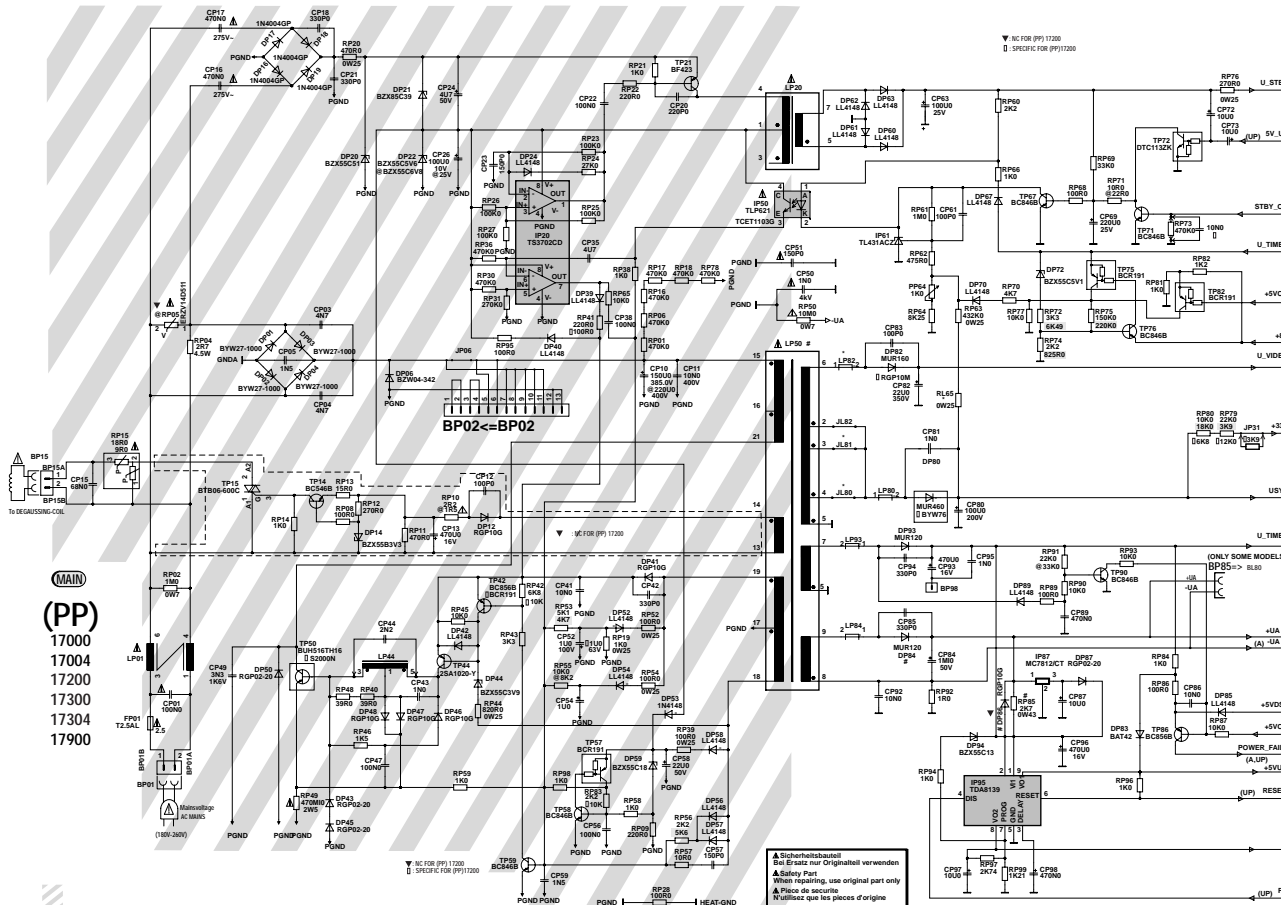


Service - Information

ICC17 MONO / STEREO / STEREO NICAM / VIRTUAL DOLBY / DOLBY PROLOGIC

INFORMAZIONE DI SERVIZIO

LL'BGDKK' PAL, SECAM, NTSC (AV)



Δ Indicates critical safety components, and identical components should be used for replacement. Only then can the operational safety be guaranteed.

Le remplacement des éléments de sécurité (repérés avec le symbole **Δ**) par des composants non homologués selon la Norme CEI 65 entraîne la non-conformité de l'appareil.

Wenn Sicherheitssteile (mit dem Symbol **Δ** gekennzeichnet) durch nicht normgerechte Teile ersetzt werden, erlischt die Haftung des Herstellers.

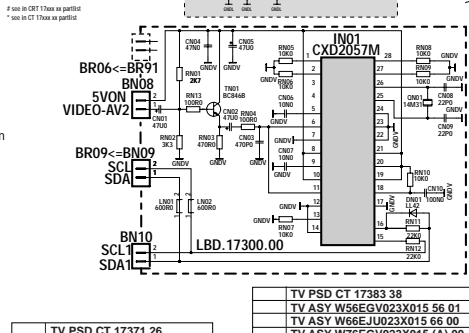
La sostituzione degli elementi di sicurezza (contrassegnati con il segno **Δ**) con componenti non omologati secondo la norma CEI 65 comporta la non conformità dell'apparecchio.

In tal caso c'è esclusa la responsabilità del costruttore.

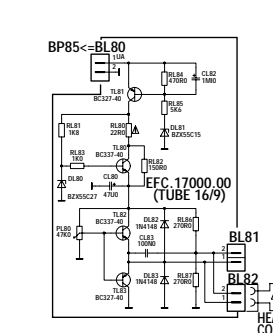
A substitución de elementos de seguridad (marcados con el símbolo **Δ**) por componentes no homologados según la norma CEI 65, provoca la no conformidad del aparato.

En ese caso, el fabricante cesa de ser responsable.

▼ IC FOR (PP) 17300
 □ SPECIFIC FOR (PP)17300



Part of board connected to mains supply.
 Partie du chassis reliée au secteur.
 Primärseite des Netzteils.
 Parte dello chassis collegata alla rete.
 Parte del chassis conectar a la red.



#	DP84	LP50	DP86	RP85
PP17000 00 / 17300 00	MUR120	10557860	X	X
PP17004 00 / 17304 00	MUR120	10557860	X	X

Part#	CT 17035	CT 17061	CT 17062	CT 17071	CT 17083	DP17243
Tube	21*OT	25*28*MP	33*MP	25*29*SF	24*32*SF	16*3
UVR8	12BV	12BV	12BV	12BV	13BV	12BV
UVR9	4L80-82	4L80	4L81	4L80	4L82	4L80
RL85	4K7	24K0	4K7	4K7	47K0	4K7

#	DP84	LP50	DP86	RP85
PP17000 00 / 17300 00	MUR120	10557860	X	X
PP17004 00 / 17304 00	MUR120	10557860	X	X

Note :
 During measurements in the power supply unit
 - Use the primary power unit ground (PGND).
Attention :
 Mesure dans le bloc alimentation
 - Utiliser la masse du bloc alimentation (PGND).
Achtung :
 Bei Messungen im Primärteil
 - Primärteilmasse verwenden (PGND).
Attenzione :
 misure nell'alimentatore primario
 - usare massa alimentazione primario (PGND).
Cuidado :
 Medida en el bloque de alimentación
 - Utilizar la masa del bloque de alimentación (PGND).

TV PSD CT 17335 26	TV ASY A51EFS83X191 03
CL21 1N44F +3.5% -3.5% 1K6V	CL21 8N8F +3.5% -3.5% 400.0V
CL22 30N0F +5% -5% 400.0V	CL22 30N0F +5% -5% 400.0V
CL23 30N0F +5% -5% 400.0V	CL23 30N0F +5% -5% 400.0V
CL24 44N0F +5% -5% 250.0V NPO	CL24 44N0F +5% -5% 250.0V
CL41 100P0F +5% -5% 50.0V NPO	CL41 100P0F +5% -5% 50.0V NPO
CL42 100P0F +5% -5% 50.0V	CL42 100P0F +5% -5% 50.0V
CL43 100P0F +5% -5% 50.0V	CL43 100P0F +5% -5% 50.0V
CL44 100P0F +5% -5% 50.0V	CL44 100P0F +5% -5% 50.0V
CL45 100P0F +5% -5% 50.0V	CL45 100P0F +5% -5% 50.0V
CL46 100P0F +5% -5% 50.0V	CL46 100P0F +5% -5% 50.0V
CL47 100P0F +5% -5% 50.0V	CL47 100P0F +5% -5% 50.0V
CL48 100P0F +5% -5% 50.0V	CL48 100P0F +5% -5% 50.0V
CL49 100P0F +5% -5% 50.0V	CL49 100P0F +5% -5% 50.0V
CL50 100P0F +5% -5% 50.0V	CL50 100P0F +5% -5% 50.0V
CL51 100P0F +5% -5% 50.0V	CL51 100P0F +5% -5% 50.0V
CL52 100P0F +5% -5% 50.0V	CL52 100P0F +5% -5% 50.0V
CL53 100P0F +5% -5% 50.0V	CL53 100P0F +5% -5% 50.0V
CL54 100P0F +5% -5% 50.0V	CL54 100P0F +5% -5% 50.0V
CL55 100P0F +5% -5% 50.0V	CL55 100P0F +5% -5% 50.0V
CL56 100P0F +5% -5% 50.0V	CL56 100P0F +5% -5% 50.0V
CL57 100P0F +5% -5% 50.0V	CL57 100P0F +5% -5% 50.0V
CL58 100P0F +5% -5% 50.0V	CL58 100P0F +5% -5% 50.0V
CL59 100P0F +5% -5% 50.0V	CL59 100P0F +5% -5% 50.0V
CL60 100P0F +5% -5% 50.0V	CL60 100P0F +5% -5% 50.0V
CL61 100P0F +5% -5% 50.0V	CL61 100P0F +5% -5% 50.0V
CL62 100P0F +5% -5% 50.0V	CL62 100P0F +5% -5% 50.0V
CL63 100P0F +5% -5% 50.0V	CL63 100P0F +5% -5% 50.0V
CL64 100P0F +5% -5% 50.0V	CL64 100P0F +5% -5% 50.0V
CL65 100P0F +5% -5% 50.0V	CL65 100P0F +5% -5% 50.0V
CL66 100P0F +5% -5% 50.0V	CL66 100P0F +5% -5% 50.0V
CL67 100P0F +5% -5% 50.0V	CL67 100P0F +5% -5% 50.0V
CL68 100P0F +5% -5% 50.0V	CL68 100P0F +5% -5% 50.0V
CL69 100P0F +5% -5% 50.0V	CL69 100P0F +5% -5% 50.0V
CL70 100P0F +5% -5% 50.0V	CL70 100P0F +5% -5% 50.0V
CL71 100P0F +5% -5% 50.0V	CL71 100P0F +5% -5% 50.0V
CL72 100P0F +5% -5% 50.0V	CL72 100P0F +5% -5% 50.0V
CL73 100P0F +5% -5% 50.0V	CL73 100P0F +5% -5% 50.0V
CL74 100P0F +5% -5% 50.0V	CL74 100P0F +5% -5% 50.0V
CL75 100P0F +5% -5% 50.0V	CL75 100P0F +5% -5% 50.0V
CL76 100P0F +5% -5% 50.0V	CL76 100P0F +5% -5% 50.0V
CL77 100P0F +5% -5% 50.0V	CL77 100P0F +5% -5% 50.0V
CL78 100P0F +5% -5% 50.0V	CL78 100P0F +5% -5% 50.0V
CL79 100P0F +5% -5% 50.0V	CL79 100P0F +5% -5% 50.0V
CL80 100P0F +5% -5% 50.0V	CL80 100P0F +5% -5% 50.0V
CL81 100P0F +5% -5% 50.0V	CL81 100P0F +5% -5% 50.0V
CL82 100P0F +5% -5% 50.0V	CL82 100P0F +5% -5% 50.0V
CL83 100P0F +5% -5% 50.0V	CL83 100P0F +5% -5% 50.0V
CL84 100P0F +5% -5% 50.0V	CL84 100P0F +5% -5% 50.0V
CL85 100P0F +5% -5% 50.0V	CL85 100P0F +5% -5% 50.0V
CL86 100P0F +5% -5% 50.0V	CL86 100P0F +5% -5% 50.0V
CL87 100P0F +5% -5% 50.0V	CL87 100P0F +5% -5% 50.0V
CL88 100P0F +5% -5% 50.0V	CL88 100P0F +5% -5% 50.0V
CL89 100P0F +5% -5% 50.0V	CL89 100P0F +5% -5% 50.0V
CL90 100P0F +5% -5% 50.0V	CL90 100P0F +5% -5% 50.0V
CL91 100P0F +5% -5% 50.0V	CL91 100P0F +5% -5% 50.0V
CL92 100P0F +5% -5% 50.0V	CL92 100P0F +5% -5% 50.0V
CL93 100P0F +5% -5% 50.0V	CL93 100P0F +5% -5% 50.0V
CL94 100P0F +5% -5% 50.0V	CL94 100P0F +5% -5% 50.0V
CL95 100P0F +5% -5% 50.0V	CL95 100P0F +5% -5% 50.0V
CL96 100P0F +5% -5% 50.0V	CL96 100P0F +5% -5% 50.0V
CL97 100P0F +5% -5% 50.0V	CL97 100P0F +5% -5% 50.0V
CL98 100P0F +5% -5% 50.0V	CL98 100P0F +5% -5% 50.0V
CL99 100P0F +5% -5% 50.0V	CL99 100P0F +5% -5% 50.0V
CL100 100P0F +5% -5% 50.0V	CL100 100P0F +5% -5% 50.0V

254 481 60 - ICC17
 12 / 99

The description and characteristics given here are of informative significance only, and non committal. To keep up the high quality of our products, we reserve the right to make any changes or improvement without previous notice. • Les descriptions et caractéristiques figurant sur ce document sont données à titre d'information et non d'engagement. En effet, soucieux de la qualité de nos produits, nous nous réservons le droit d'effectuer, sans préavis, toute modification ou amélioration. • Die Beschreibungen und Daten in dieser Anleitung dienen nur zur Information und sind nicht bindend. Um die Qualität unserer Produkte ständig zu verbessern, behalten wir uns das Recht an Änderungen vor. • Le descrizioni e le caratteristiche date su questo documento sono fornite a semplice titolo informativo e senza impegno. Ci riserviamo il diritto di eseguire, senza preavviso, qualsiasi modifica o miglioramento. • Las descripciones y características que figuran en este documento se dan a título de información y no de compromiso. En efecto, en bien de la calidad de nuestros productos, nos reservamos el derecho de efectuar, sin previo aviso, cualquier modificación o mejora.

ICC17 MONO / STEREO / STEREO NICAM VIRTUAL DOLBY / DOLBY PROLOGIC LL'BGH, DKK', I PAL, SECAM, NTSC (AV)

