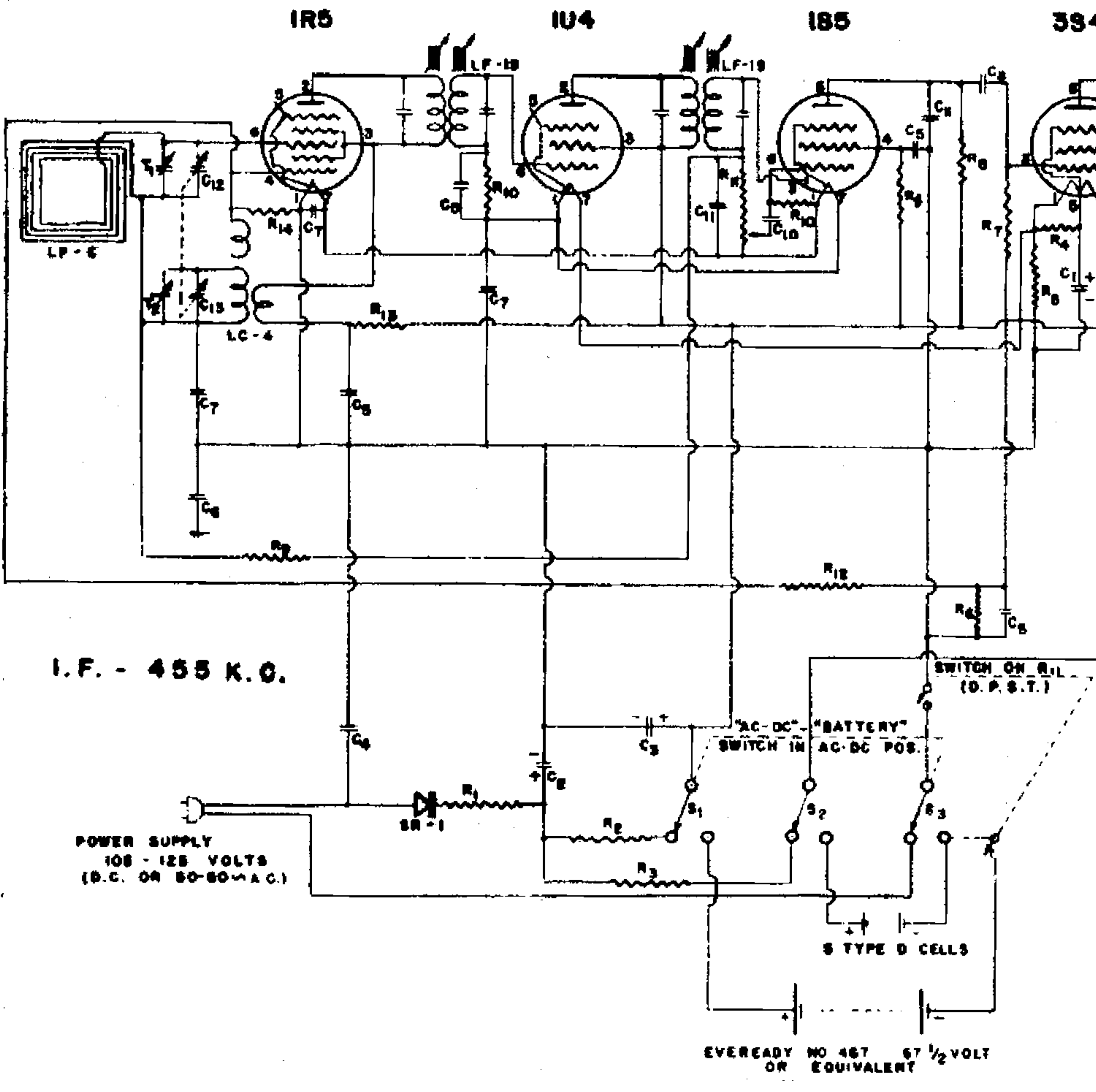
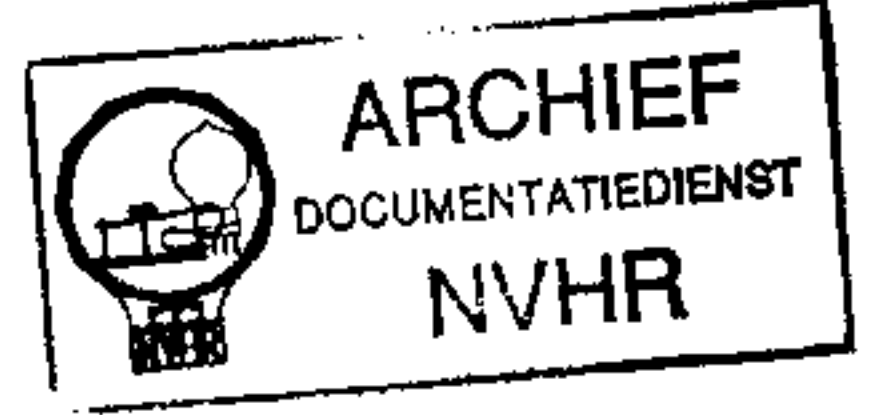


TELE-TONE RADIO CORP. MODEL 133, chassis CA

MODELS 145, 152, chassis R

MODELS 145, 152 CHASSIS SERIES 'R'

Ned. Ver. v. Historie v/d Radio



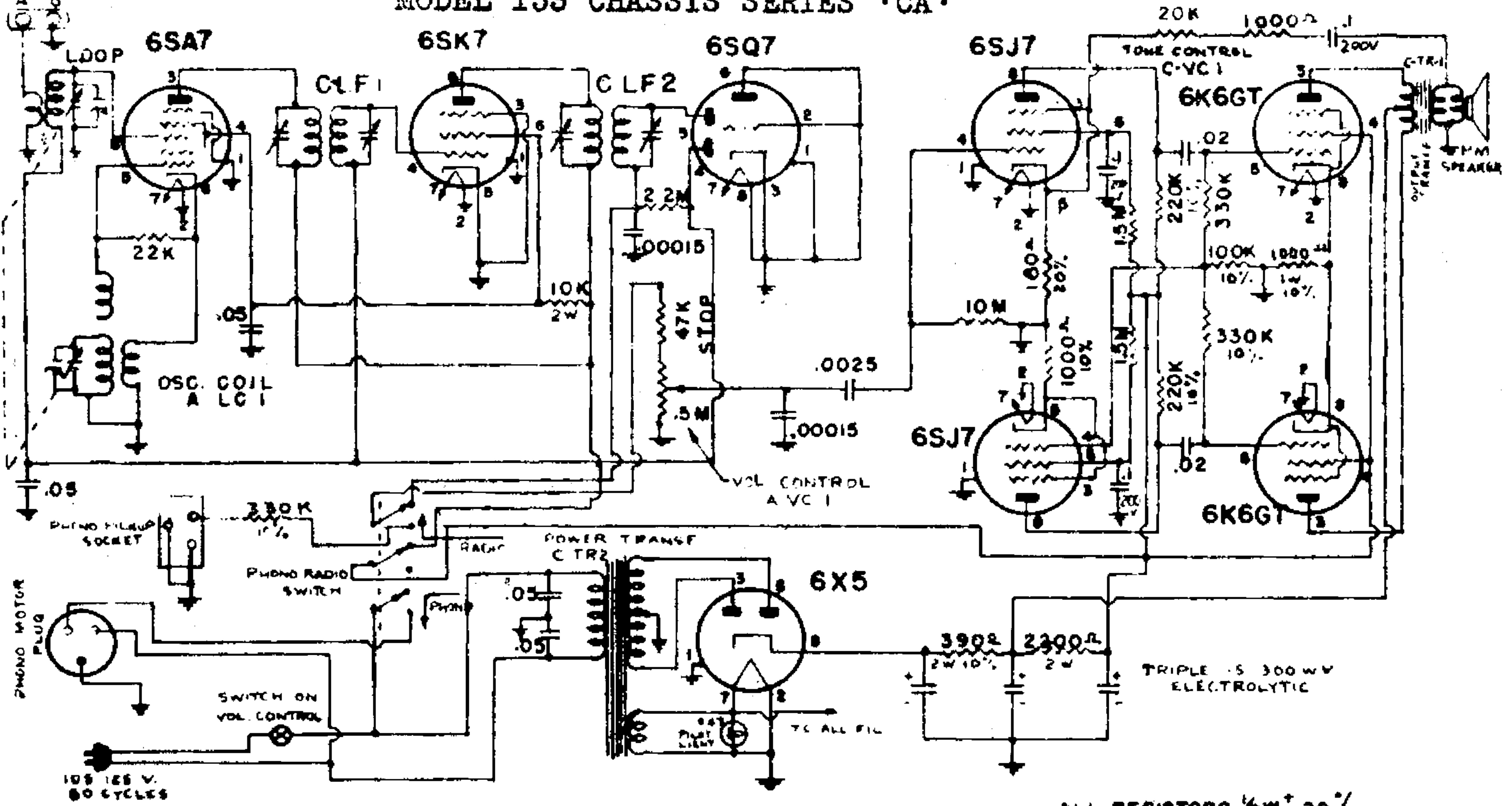
I.F. - 455 K.C.

POWER SUPPLY
108 - 125 VOLTS
(D.C. OR 60-60-M.A.C.)

EVEREADY NO 467 67 1/2 VOLT
OR EQUIVALENT

ITEM	DESCRIPTION	PART NUMBER
C ₁	125 MFD. 10VOLT ELECTROLYTIC	CE-12
C _{2, C3}	25 MFD. 150VOLT CONDENSER	
C ₄	.05 MFD. 400 VOLT PAPER CONDENSER	CP 503-1
C ₅	.01 MFD. 150 VOLT PAPER CONDENSER	CP 403-2
C ₆	.1 MFD. 200 VOLT PAPER CONDENSER	CP 104-2
C ₇	.05 MFD. 150 VOLT PAPER CONDENSER	CP 503-2
C ₈	.002 MFD. 20 VOLT PAPER CONDENSER	CP 202-1
C ₉	.005 MFD. 400 VOLT PAPER CONDENSER	CP 502-2
C ₁₀	.001 MFD. 150 VOLT PAPER CONDENSER	CP 102-1
C ₁₁	.0001 MFD. 300 VOLT MICA CONDENSER	CM 101-1
C _{12, C13}	VARIABLE CONDENSER	CV 10
LC-4	OSCILLATOR COIL	LC-4
LF-19	I.F. TRANSFORMER	LF-19
LP-6	ANTENNA LOOP	LP-6
R ₁	55 OHM 2 WATT 10% R.W. RESISTOR	RW 860-B
R ₂	7500 OHM 1 WATT 10% RESISTOR	RC 752-6
R ₃	2700 OHM 10 WATT 5% RESISTOR	RP - 1
R ₄	470 OHM 1/2 WATT RESISTOR	RC 471-1
R ₅	820 OHM 1/2 WATT 10% RESISTOR	RC 821-2
R ₆	270,000 OHM 1/2 WATT 10% RESISTOR	RC 274-2
R ₇	2.2 MEG. 1/2 WATT RESISTOR	RC 226-1
R ₈	1 MEG. 1/2 WATT RESISTOR	RC 108-1
R ₉	3.3 MEG. 1/2 WATT RESISTOR	RC 336-1
R ₁₀	10 MEG. 1/2 WATT RESISTOR	RC 102-1
R ₁₁	1 MEG POTENTIOMETER WITH SWITCH	VC - 6
R ₁₂	1 MEG 1/2 WATT 10% RESISTOR	RC 105-2
R ₁₃	15,000 OHM 1/2 WATT RESISTOR	RC 153-1
R ₁₄	100,000 OHM 1/2 WATT 10% RESISTOR	RC 104-2
S _{1, S2, S3}	3 POLE SINGLE THROW SWITCH	SW - 3
SP-41	SPEAKER	SP-41
TR-7	OUTPUT TRANSFORMER	TR-7
SR-1	SELENIUM RECTIFIER	SR-1
T _{1, T2}	TRIMMERS ON VARIABLE	

MODEL 133 CHASSIS SERIES 'CA'



I.F. - 455 K.C.
FREQ. RANGE - 1700 KC - 530 KC
ALIGN AT - 1500 KC
TRACK AT - 600 & 1000 KC

ALL RESISTORS 1/2 WATT - 20%
UNLESS SPECIFIED
Ω : OHMS
K : THOUSAND Ω
M : MILLION Ω
ALL CONDENSERS IN MICRO FARAD
400 V.D.C. UNLESS SPECIFIED

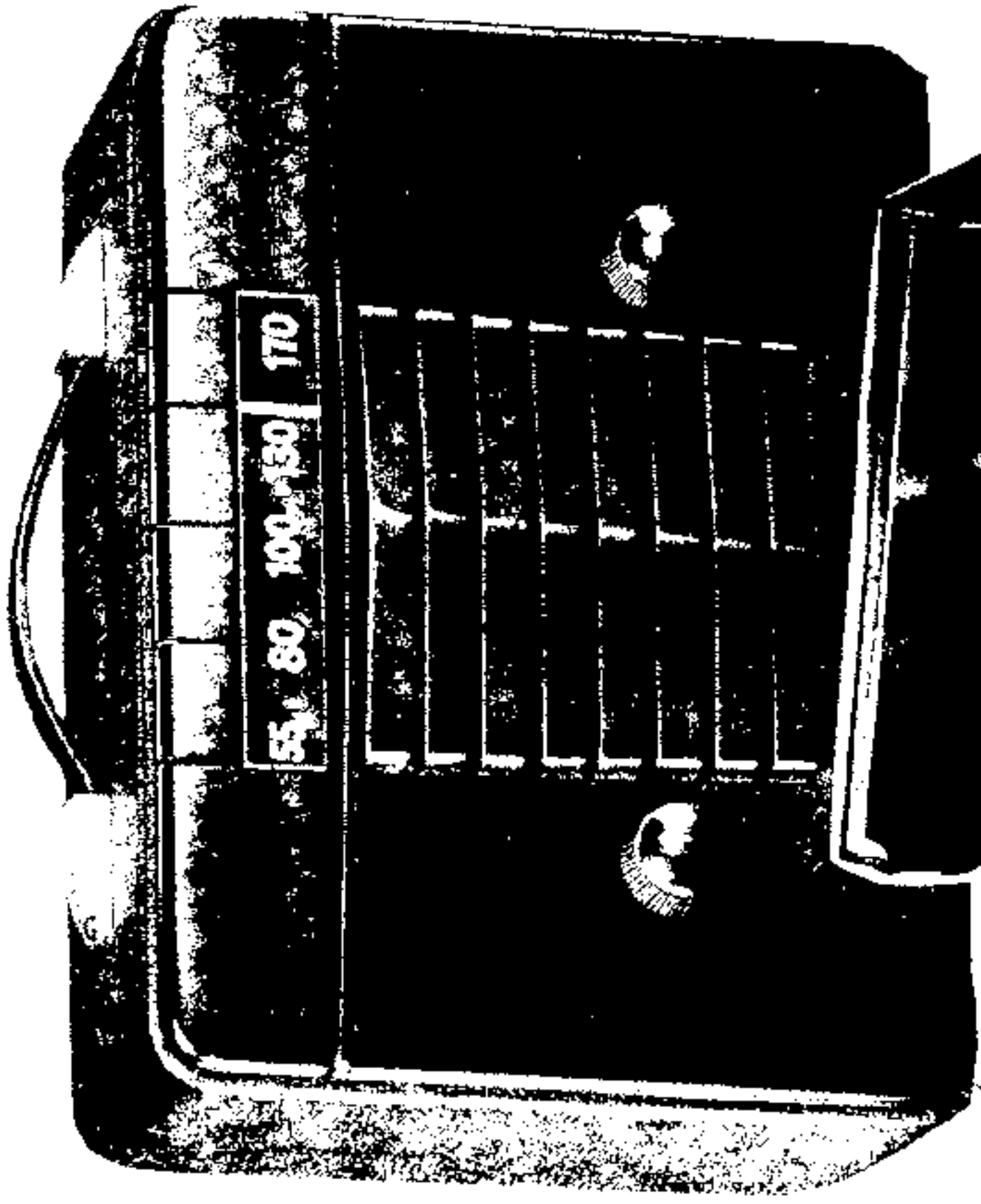
TELE-TONE RADIO CORP.

MODEL 133

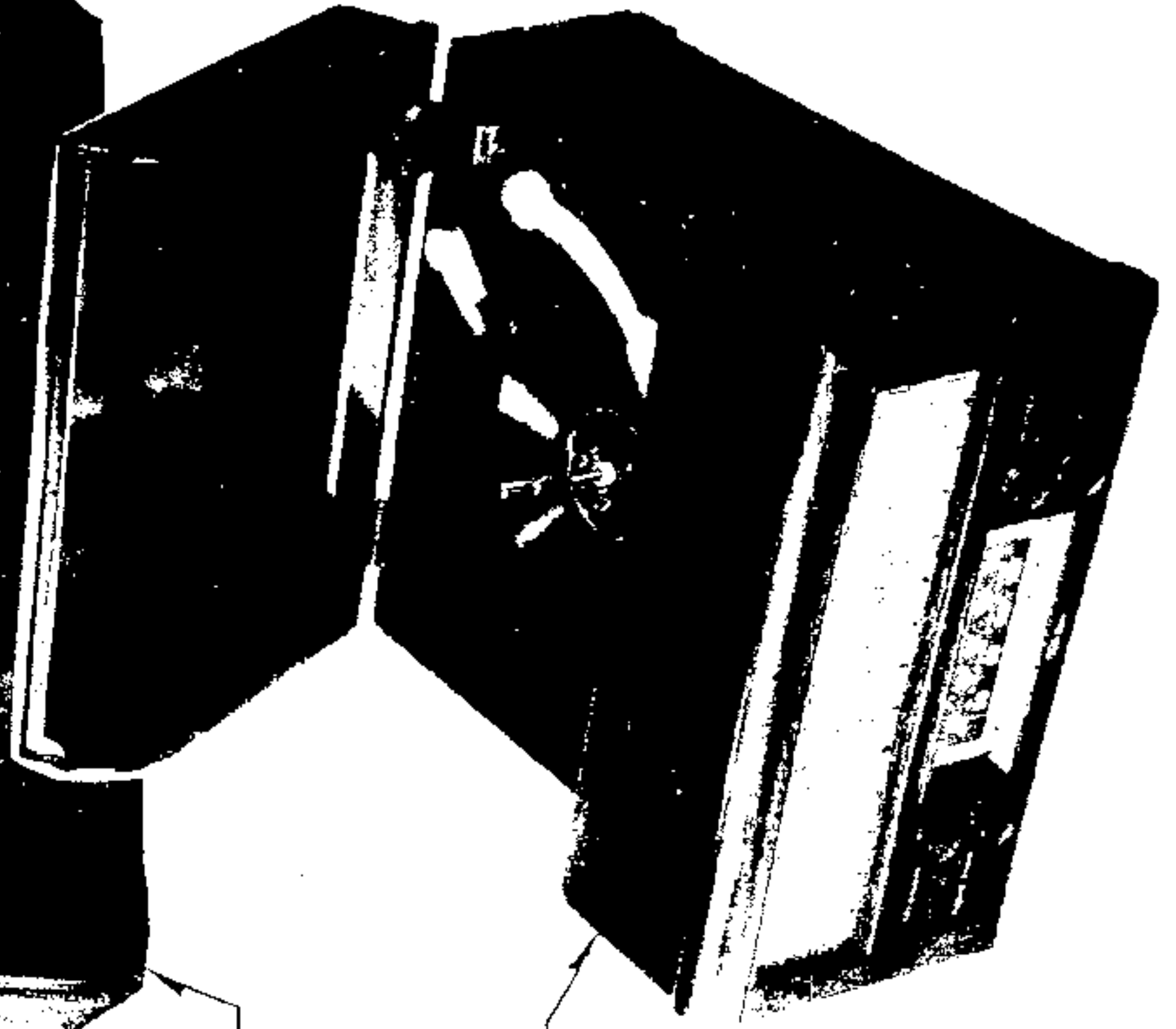
MODEL 145

MODEL 150

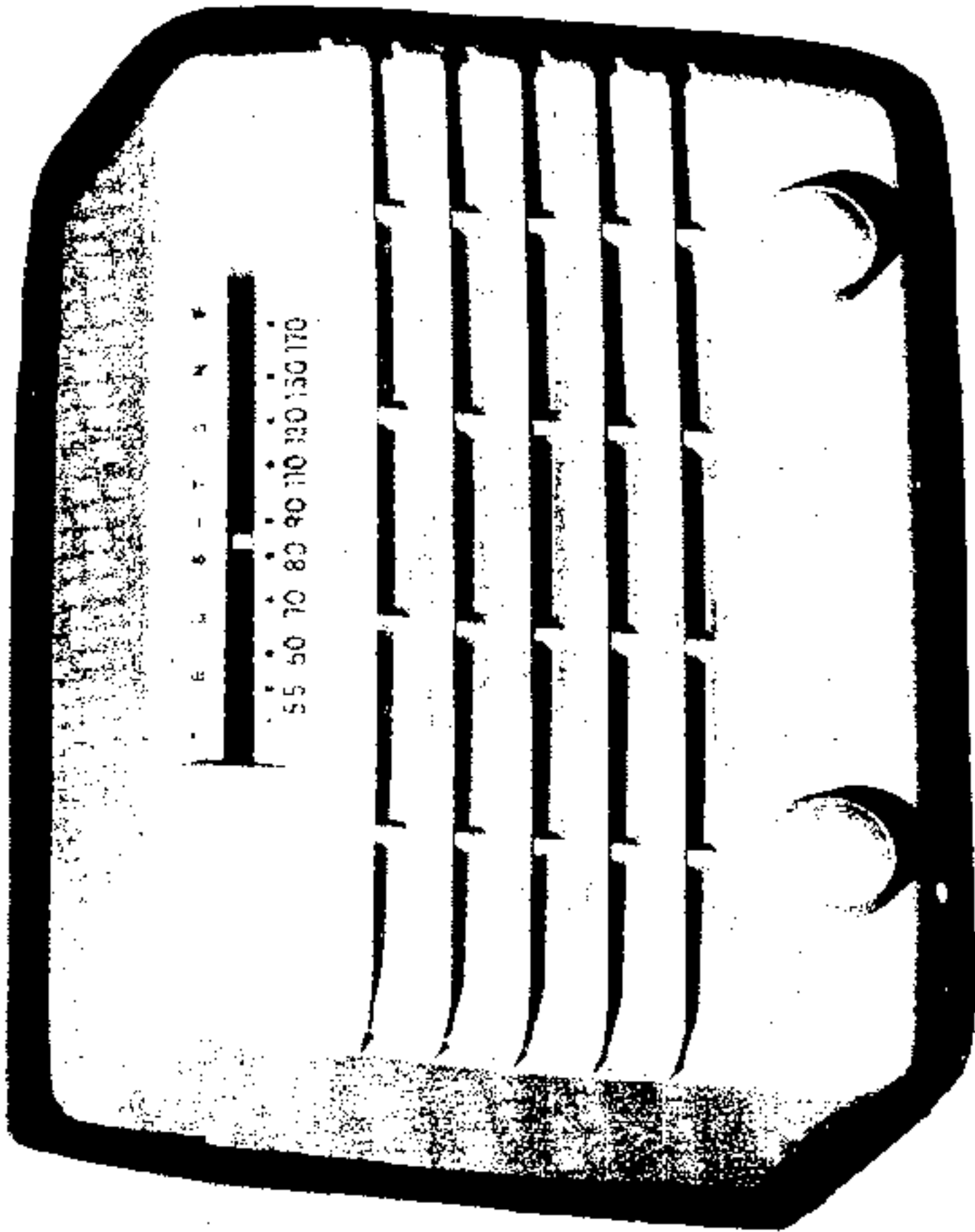
MODEL 152



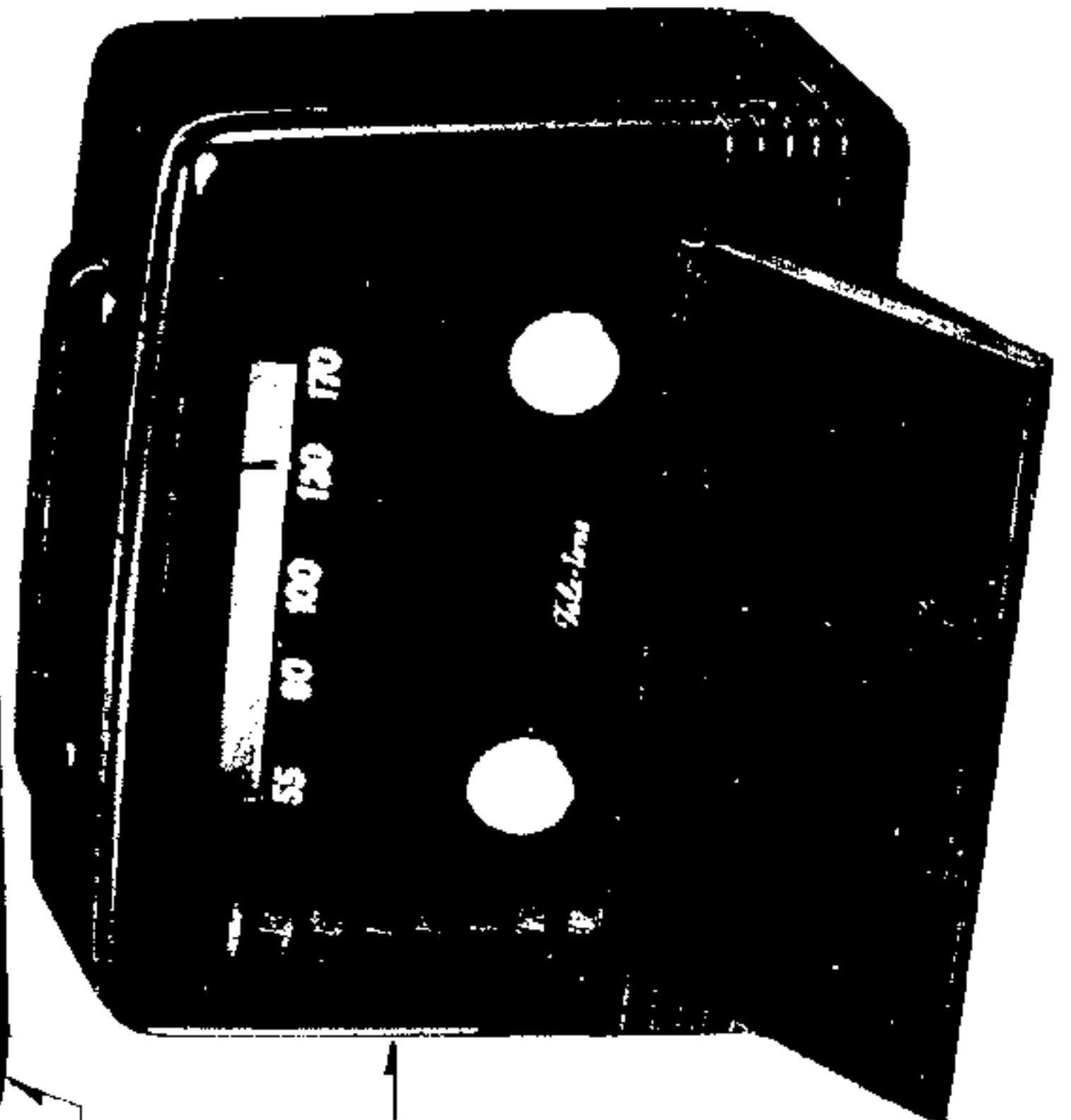
MODEL 145



MODEL 133



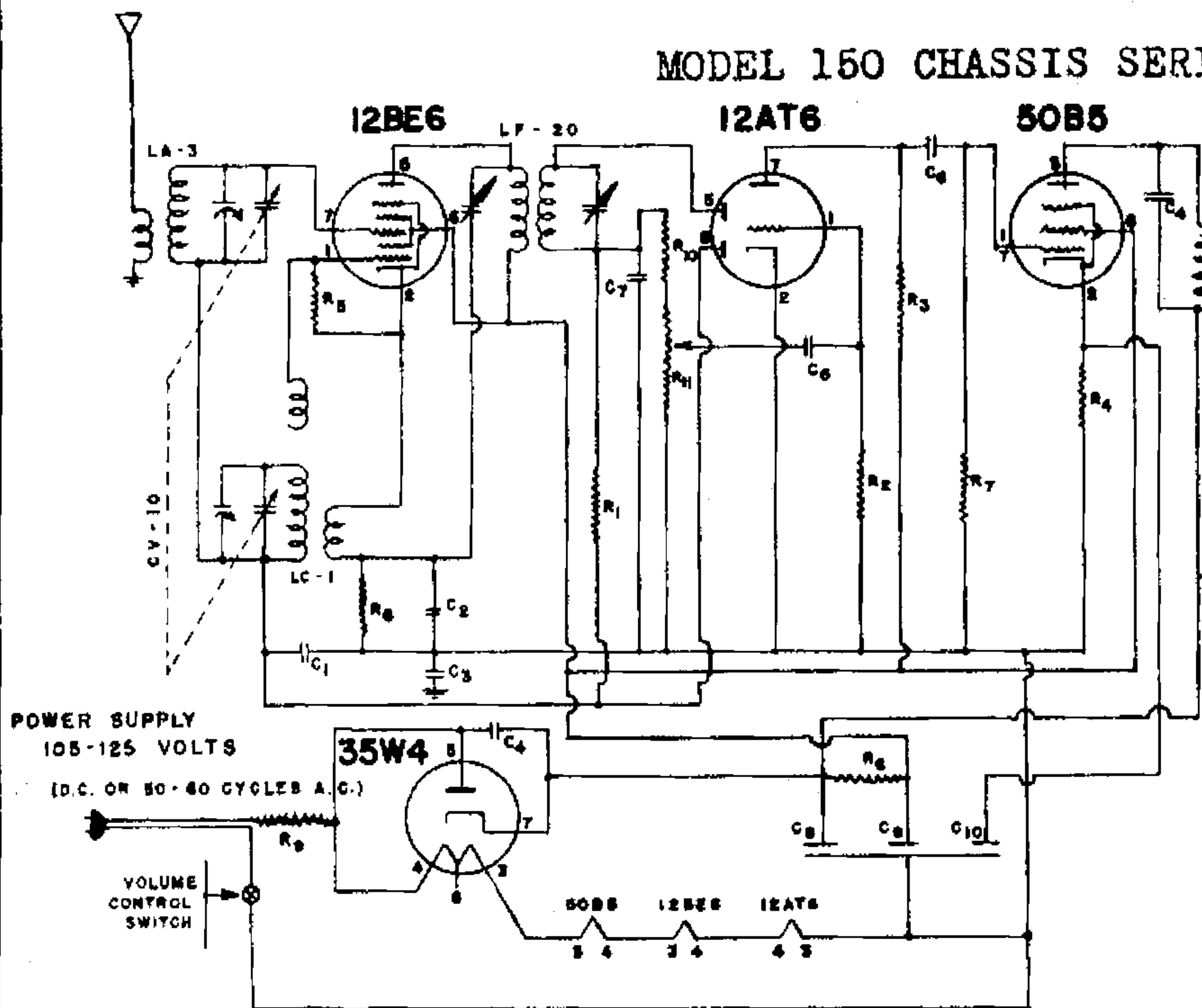
MODEL 150



MODEL 152

TELE-TONE RADIO CORP.

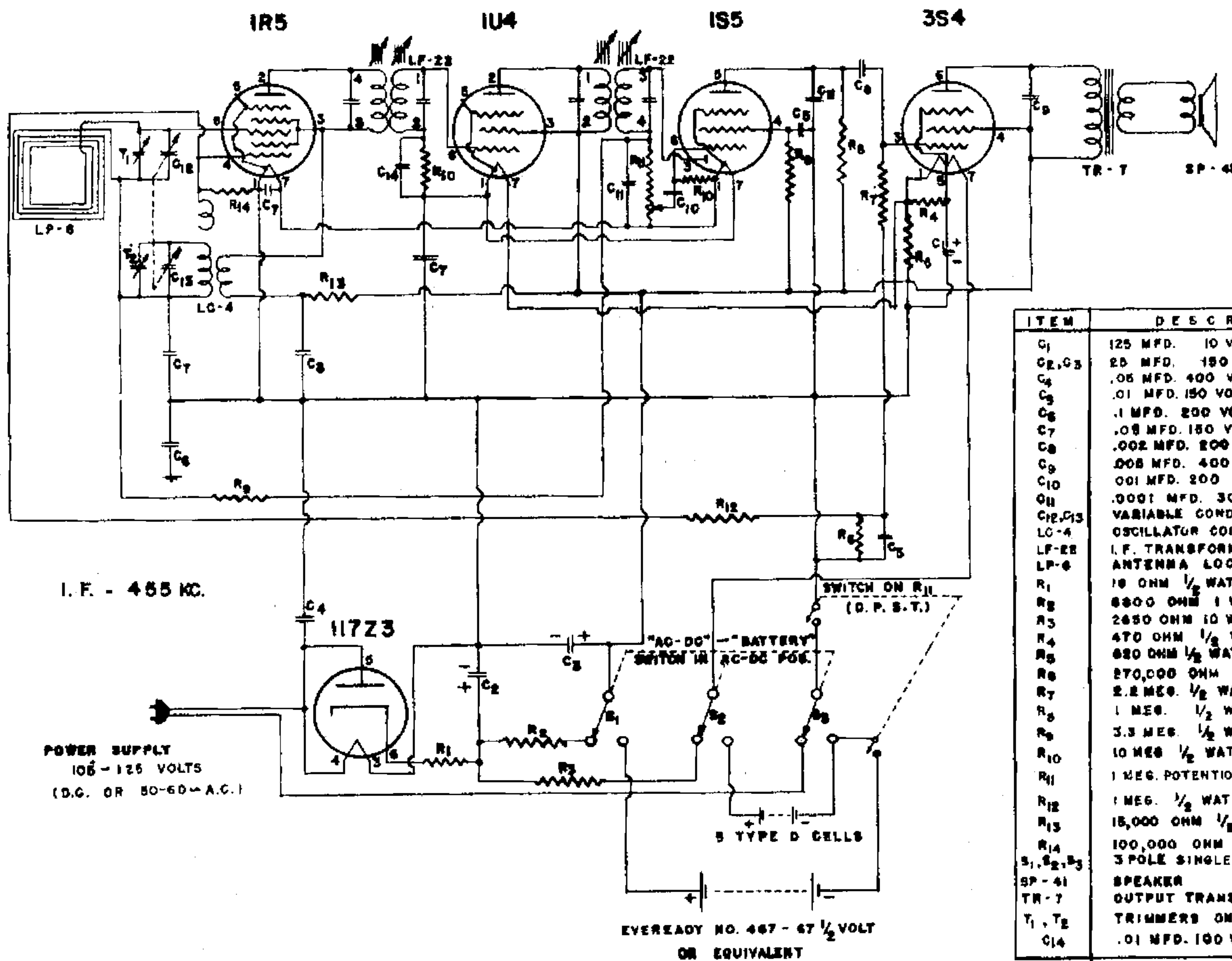
MODEL 150 CHASSIS SERIES 'T'



I.F. - 455 K.C.
FREQ. RANGE 830-1700 K.C.
ALIGN AT 1500 K.C.
TRACK AT 600 K.C.

ITEM	DESCRIPTION	PART NO.
C1	.05 MFD - 200 VOLT PAPER CONDENSER	CP 503-3
C2	.01 MFD - 150 VOLT PAPER CONDENSER	CP 103-2
C3	.05 MFD - 400 VOLT PAPER CONDENSER	CP 503-3
C4	.02 MFD - 400 VOLT PAPER CONDENSER	CP 203-1
C5	.002 MFD - 400 VOLT PAPER CONDENSER	CP 202-2
C6	.005 MFD - 200 VOLT PAPER CONDENSER	CP 502-3
C7	150 MMF - 500 VOLT MICA CONDENSER	CM 151-1
C8	40 MFD - 150 VOLT	ELECTROLYTIC CONDENSER
C9	20 MFD - 150 VOLT	
C10	20 MFD - 15 VOLT	
CV - 10	VARIABLE CONDENSER	CV - 10
LA - 3	ANTENNA COIL	LA - 3
LC - 1	OSCILLATOR COIL	LC - 1
LF - 20	I.F. TRANSFORMER	LF - 20
R1	2.2 MEG. 1/2 WATT RESISTOR	RC 225-1
R2	10 MEG. 1/2 WATT RESISTOR	RC 106-1
R3	330,000 OHMS 1/2 WATT RESISTOR	RC 334-1
R4	150 OHMS 1/2 WATT RESISTOR	RC 151-1
R5	22,000 OHMS 1/2 WATT RESISTOR	RC 223-1
R6	.82 OHMS 1/2 WATT RESISTOR 10%	RC 820-E
R7	470,000 OHMS 1/2 WATT RESISTOR	RC 474-1
R8	2200 OHMS 1 WATT RESISTOR	RC 222-4
R9	33 OHMS 2 WATT WIRE RESISTOR 10%	RW 330-B
R10	100,000 OHMS 1/2 WATT RESISTOR	RC 104-1
R11	1 MEG. VOLUME CONTROL & S.P.S.T. SW.	VC - 5
SP - 40	SPEAKER	SP - 40
TR - 6	OUTPUT TRANSFORMER	TR - 6

MODEL 152 CHASSIS SERIES 'W'



I.F. - 455 KC.

POWER SUPPLY
105-125 VOLTS
(D.C. OR 50-60 A.C.)

ITEM	DESCRIPTION	PART NUMBER
C1	125 MFD. 10 VOLT	ELECTROLYTIC CONDENSER
CE, C3	25 MFD. 150 VOLT	
C4	.05 MFD. 400 VOLT PAPER COND.	CP 503-5
C5	.01 MFD. 150 VOLT PAPER COND.	CP 103-2
C6	.1 MFD. 200 VOLT PAPER COND.	CP 104-2
C7	.05 MFD. 150 VOLT PAPER COND.	CP 503-2
C8	.002 MFD. 200 VOLT PAPER COND.	CP 202-3
C9	.008 MFD. 400 VOLT PAPER COND.	CP 502-2
C10	.001 MFD. 200 VOLT PAPER COND.	CP 102-3
C11	.0001 MFD. 300 VOLT MICA COND.	CM 101-1
C12, C13	VARIABLE CONDENSER	CV 10
LC-4	OSCILLATOR COIL	LC - 4
LF-22	I.F. TRANSFORMER	LF - 22
LP-6	ANTENNA LOOP	LP - 6
R1	18 OHM 1/2 WATT RESISTOR	RC 180-1
R2	800 OHM 1 WATT 10% RESISTOR	RC 802-B
R3	2850 OHM 10 WATT 5% RESISTOR	RP - 3
R4	470 OHM 1/2 WATT RESISTOR	RC 471-1
R5	820 OHM 1/2 WATT 10% RESISTOR	RC 821-B
R6	270,000 OHM 1/2 WATT 10% RESISTOR	RC 274-2
R7	2.2 MEG. 1/2 WATT RESISTOR	RC 225-1
R8	1 MEG. 1/2 WATT RESISTOR	RC 105-1
R9	3.3 MEG. 1/2 WATT RESISTOR	RC 333-1
R10	10 MEG. 1/2 WATT RESISTOR	RC 106-1
R11	1 MEG. POTENTIOMETER WITH SWITCH	VC - 6
R12	1 MEG. 1/2 WATT 10% RESISTOR	RC 105-2
R13	15,000 OHM 1/2 WATT RESISTOR	RC 153-1
R14	100,000 OHM 1/2 WATT RESISTOR 10%	RC 104-2
S1, S2, S3	3 POLE SINGLE THROW SWITCH	SW - 10
SP - 41	SPEAKER	SP - 41
TR - 7	OUTPUT TRANSFORMER	TR - 7
T1, T2	TRIMMERS ON VARIABLE	
C14	.01 MFD. 100 VOLT PAPER COND.	CP 103-4

EVEREADY NO. 467 - 67 1/2 VOLT
OR EQUIVALENT