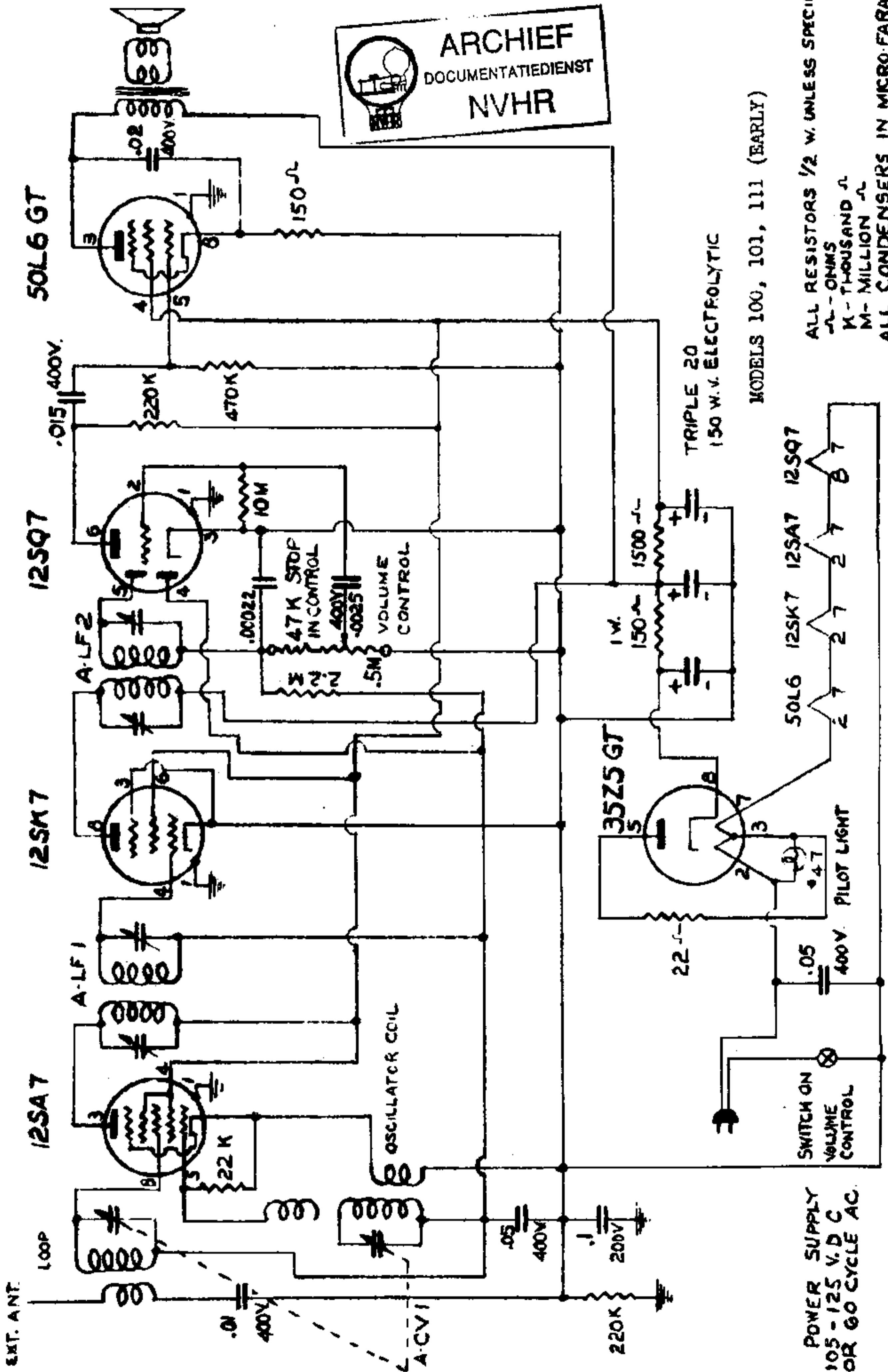
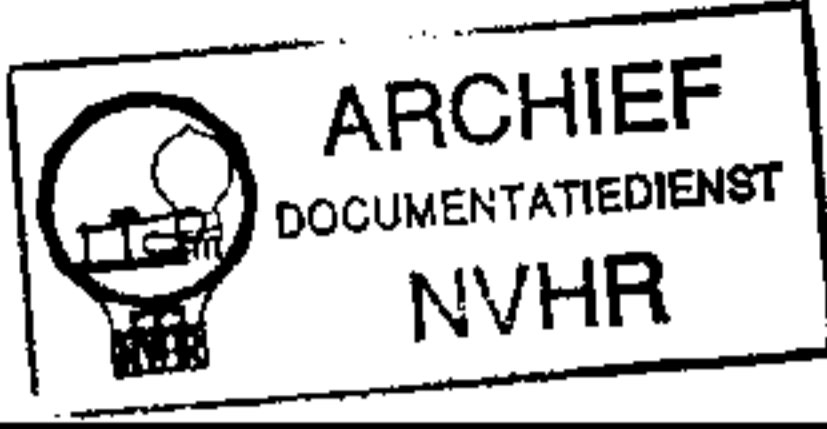


TELEPHONE RADIO CORP.

Ned. Ver. v. Historie v/d Radio



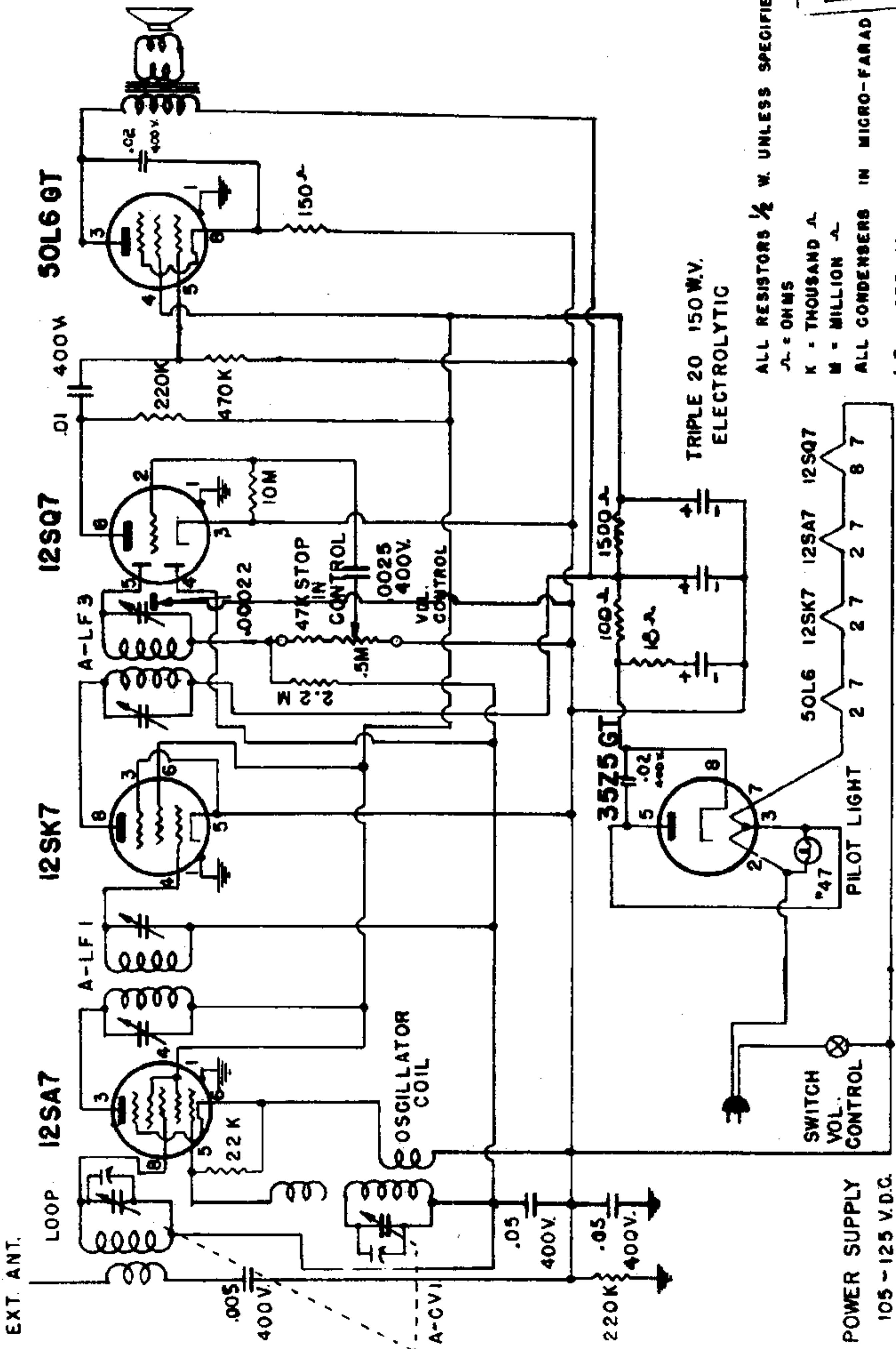
MODELS 100, 101, 111 (EARLY)

ALL RESISTORS 1/2 W. UNLESS SPECIFIED  
K - THOUSAND Ω  
M - MILLION Ω  
ALL CONDENSERS IN MICRO-FARAD  
I.F. - 455 KC.  
FREQ. RANGE - 1700 KC - 530 KC.  
ALIGN AT - 1500 KC.  
TRACK AT - 600 KC.

CHASSIS SERIES A  
EARLY

MODELS 100, 100A, 101,  
109, 111, 122, 130  
Chassis A, Late

TELEPHONE RADIO CORP.



TRIPLE 20 150 W.V.  
ELECTROLYTIC

ALL RESISTORS 1/2 W. UNLESS SPECIFIED

Ω = OHMS

K = THOUSAND Ω

M = MILLION Ω

ALL CONDENSERS IN MICRO-FARAD

I.F. - 455 KC.

FREQ. RANGE - 1700 KC. - 530 KC.

ALIGN AT - 1500 KC.

TRACK AT - 600 KC.

POWER SUPPLY  
105 - 125 V.D.C.  
OR  
60 CYCLE A.C.

CHASSIS SERIES "A"

REVISED  
4-11-46