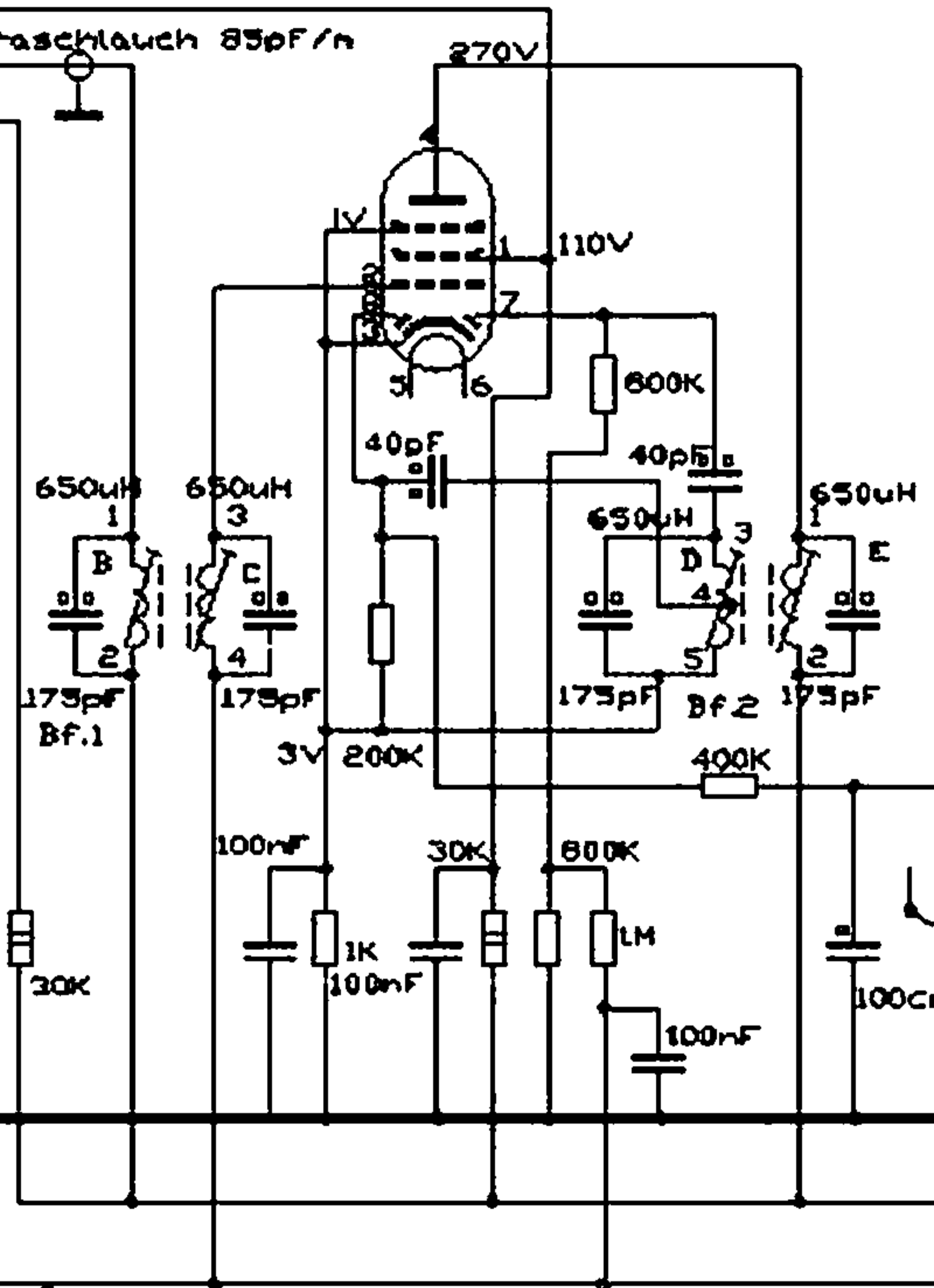


# EBF11



$$ZF = 473 \text{ kHz}$$

F

M.A.

EFM11

EL11

