

T3

POWER SUPPLIES MODEL ED 1507

nr



Ir. H. Stoet's Radio bv

Oronsestraat 4 The Hague Holland Phone (070) 81974

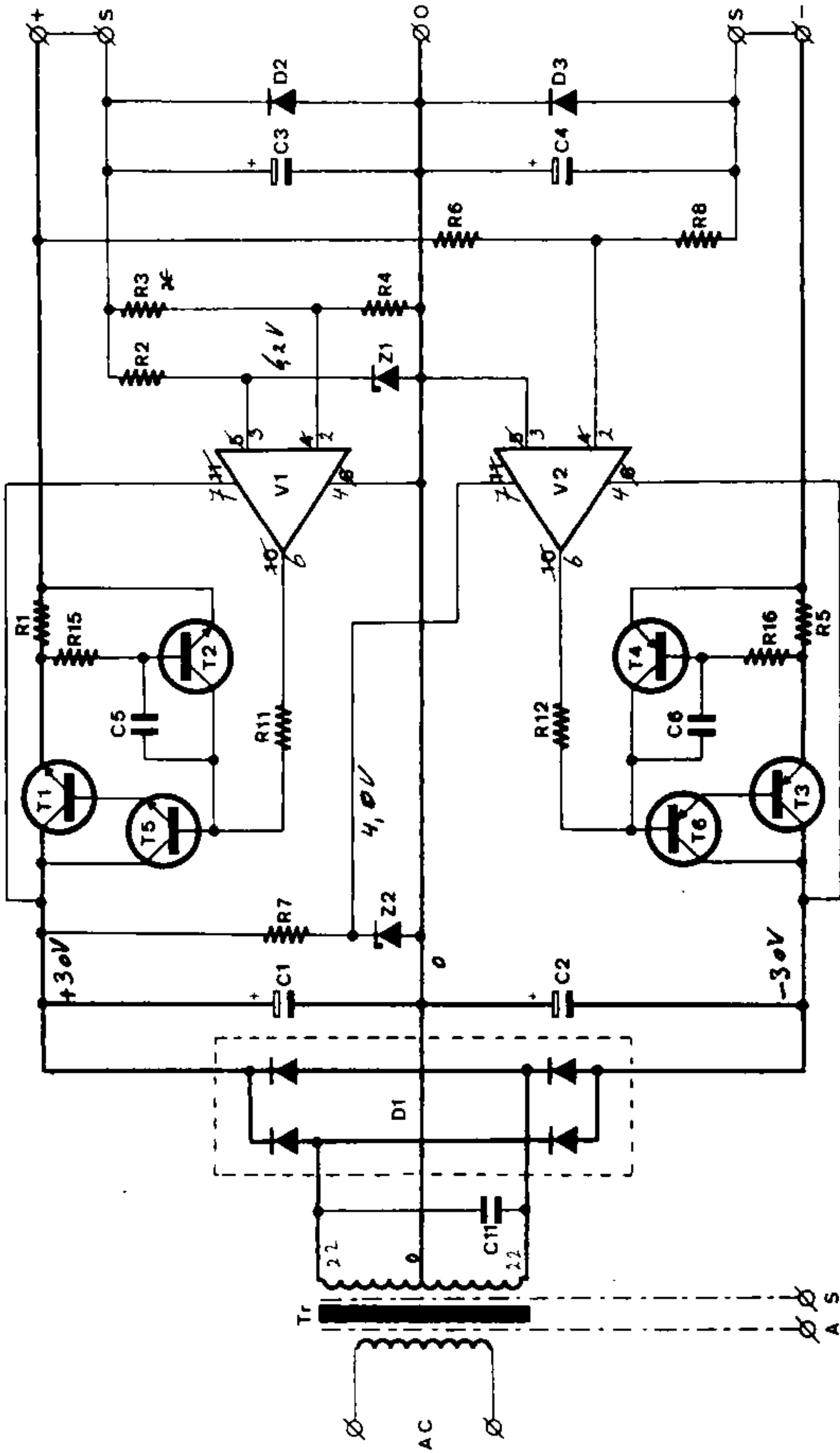
scale

draw

seen

date

* R3 < -> Volt <



nr		date	
POWER SUPPLIES MODEL ED 1507			
Ir. H. Stoet's Radio bv Oronstraat 4 The Hague, Holland. Phone 070 839265			
scale	draw	seen	date



o R 1 = 0,82 ohm 1 Watt dr. gew.

R 2 = 1k5

R 3 = afregelweerstand 1% MF (7,42K) 0-10K

R 4 = 5k6

o R 5 = 0,82 ohm 1 Watt dr. gew.

R 6 = 10k 0,5% MF

R 7 = 1k

R 8 = 10k 0,5% MF

R 9 = ---

R10 = ---

R11 = 1k

R12 = 1k

R13 = ---

R14 = ---

R15 = 100 ohm

R16 = 100 ohm

C 1 = 1000uF/40V ax

C 2 = 1000uF/40V ax

C 3 = 100uF/25V ax

C 4 = 100uF/25V ax

C 5 = 470pF pol

C 6 = 470pF pol

C 7 = 0,47uF/100V pol

2 x Ic voet 8 pens

2 x mica plaatje T03

2 x mountingpad T05

2 x transistorkap T03

2 x koelster WA321

4 x transistor isolatiering

1 x trafo B 862

1 x print 721033B

D 1 = B80C3200/2200

D 2 = 1N4003

D 2 = 1N4003

Z 1 = 1N823 8Z x 55c 6V2

Z 2 = 3,9V 1,3W 8Z x 55c 3V9

T 1 = 2N3055H

T 2 = BC237b/547b/414c

T 3 = BDX18/2N6246/6247 M7 2955

T 4 = BC327/557b/204b

T 5 = 2N3053

T 6 = 2N2904A/4890/4037 2N2905

V 1 = uA741 8d11

V 2 = uA741 8d11

o R 5 = 0,56 Ω output 1,3A

R 5 = 0,68 Ω " 1,0A

R 5 = 0,82 Ω " 0,7A

Alle weerstanden, indien niet gespecificeerd, 0,6 Watt 5% MF.

Ir. H. Stoet's Radio b.v., Orionstraat 4, 2516 AS Den Haag.