



Met dank aan Jef Bos

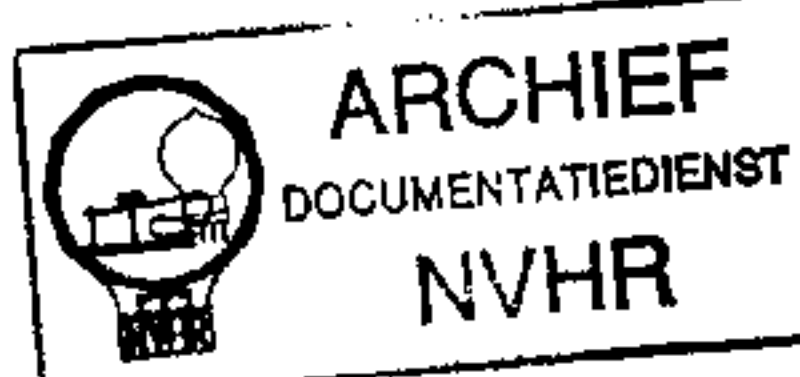


Ned. Ver. v. Historie v

TRADE NAME Sonic Models TR-600, TR-700
 MANUFACTURER Sonic Industries, Inc., 19 Wilbur St., Lynbrook, N.Y.
 TYPE SET Battery Operated Portable AM Transistorized Receiver

POWER SUPPLY 9 Volts DC
 TUNING RANGE—BROADCAST 540KC - 1620KC

RATING 14 MA @ 9 Volts DC



ALIGNMENT INSTRUCTIONS—READ CAREFULLY BEFORE ATTEMPTING ALIGNMENT

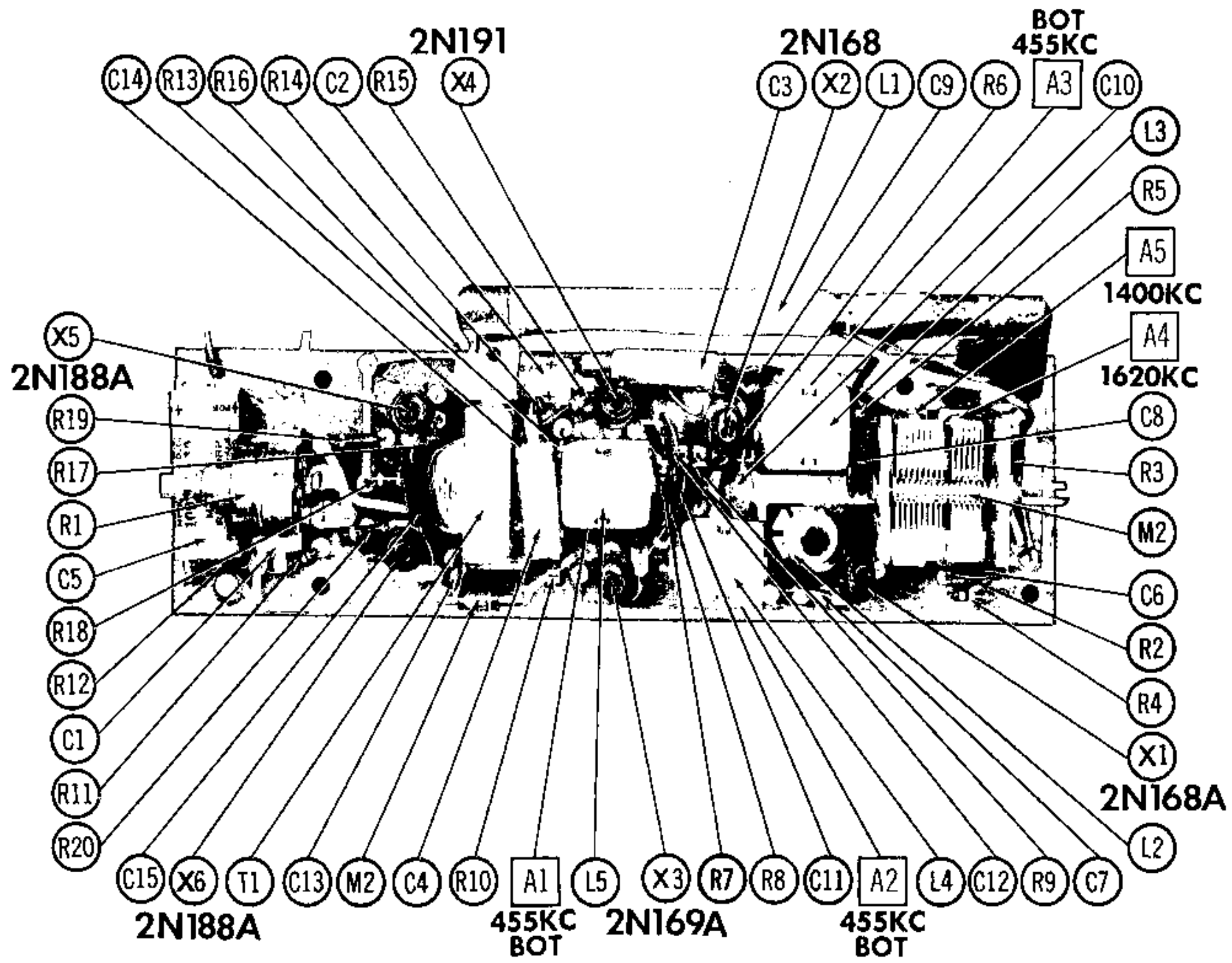
Volume control should be at maximum position. Output of signal generator should be no higher than necessary to obtain an output reading. Use an insulated alignment screwdriver for adjusting.

DUMMY ANTENNA	SIGNAL GENERATOR COUPLING	SIGNAL GENERATOR FREQUENCY	RADIO DIAL SETTING	OUTPUT METER	ADJUST	REMARKS
1.	Loop	455KC (400% Mod)	Tuning gang fully open	Across voice coil	A1, A2, A3	Fashion loop of several turns of wire and radiate signal into loop of receiver. Adjust for maximum output.
2.	"	1620KC	"	"	A4	"
3.	"	1400KC	1400KC	"	A5	Fashion loop of several turns of wire and radiate signal into loop of receiver. Adjust for maximum output. Repeat as necessary to insure proper tracking.

HOWARD W. SAMS & CO., INC. • Indianapolis 5, Indiana

The listing of any available replacement part herein does not constitute in any case a recommendation, warranty or guaranty by Howard W. Sams & Co., Inc., as to the quality and suitability of such replacement part. The numbers of these parts have been compiled from information furnished to Howard W. Sams & Co., Inc., by the manufacturers of H264

the particular type of replacement part listed. Reproduction or use, without express permission, of editorial or pictorial content, in any manner, is prohibited. No patent liability is assumed with respect to the use of the information contained herein. © 1957 Howard W. Sams & Co., Inc., Indianapolis 5, Indiana. Printed in U.S. of America



CHASSIS-TOP VIEW

PARTS LIST AND DESCRIPTIONS

TRANSISTORS

ITEM No.	ORIG. TYPE	USE	REPLACEMENT DATA			NOTES
			CBS PART No.	RAYTHEON PART No.	SYLVANIA PART No.	
X1	2N188A	Converter	2N439			① Some versions use a 2N189. ② Some versions use a 2N190. ③ Some versions use a 2N187.
X2	2N168 ①	1st. IF Amplifier	2N439			
X3	2N169A ①	2nd. IF Amplifier	2N439			
X4	2N191 ②	AF Amplifier	2N180	2N362		
X5	2N188A ③	Output	2N181	2N360		
X6	2N188A ③	Output	2N181	2N360		

ELECTROLYTIC CAPACITORS

ITEM No.	RATING		REPLACEMENT DATA						
	CAP.	VOLT.	SONIC PART No.	AEROVOX PART No.	CORNELL-DUBILIER PART No.	MALLORY PART No.	PYRAMID PART No.	SANGAMO PART No.	SPRAGUE PART No.
C1	10	10		XPP10010	NL10-10	TT12X10	ML10-15	MMT-0210	TE-1114
C2	2	10		XPP10002	NL3-10	TT12X2	ML2-15	MT-0502	R2441 *
C3	40	6		XPP6040	NL40-6	TT6X40	ML40-6	MMT-650	TE-1095
C4	40	6		XPP6040	NL40-6	TT6X40	ML40-6	MMT-650	TE-1095
C5	100	10		PRS12V100	BDR100-15	TC2501	TD-100-15	MTH-1210	TVA-1130

* Non-catalog item.

FIXED CAPACITORS

Capacity values given in the rating column are in mfd. for Paper Capacitors, and in mmfd. for Mica and Ceramic Capacitors.

ITEM No.	RATING		REPLACEMENT DATA						NOTES	
	CAP.	VOLT.	SONIC PART No.	AEROVOX PART No.	CENTRALAB PART No.	CORNELL-DUBILIER PART No.	ERIE PART No.	MALLORY PART No.		SPRAGUE PART No.
C6	10000			BPD-01	DD-103	BYA6S1	ED-01	DC511	5HK-S1	Note 1
C7	10000			BPD-01	DD-103	BYA6S1	ED-01	DC511	5HK-S1	
C8	10000			BPD-01	DD-103	BYA6S1	ED-01	DC511	5HK-S1	
C9	10000			BPD-01	DD-103	BYA6S1	ED-01	DC511	5HK-S1	
C10	10000			BPD-01	DD-103	BYA6S1	ED-01	DC511	5HK-S1	
C11	10000			BPD-01	DD-103	BYA6S1	ED-01	DC511	5HK-S1	
C12	10000			BPD-01	DD-103	BYA6S1	ED-01	DC511	5HK-S1	
C13	10000			BPD-01	DD-103	BYA6S1	ED-01	DC511	5HK-S1	
C14	5000			BPD-005	DD-502	DYA10D5	ED-005	DC525	5HK-D5	
C15	05	200		P288N-05	DF-503	CUB285		GEM-415	2TM-S5	

Note 1. Some versions use 5000MMF in this application.

CONTROLS

ITEM No.	RATING		REPLACEMENT DATA				INSTALLATION NOTES	
	RESISTANCE	WATTS	SONIC PART No.	CENTRALAB PART No.	CLAROSTAT PART No.	IRC PART No.		MALLORY PART No.
R1	5000Ω	1/2	TR-6-4					Volume and switch

RESISTORS

All wattages 1/2 watt, or less, unless otherwise listed.

ITEM No.	RATING		SONIC PART No.	NOTES	ITEM No.	RATING		SONIC PART No.	NOTES
	OHMS	WATT				OHMS	WATT		
R2	1500Ω			Note 1	R12	100K			
R3	27K				R13	33K			
R4	15K				R14	5600Ω			
R5	470Ω				R15	470Ω			
R6	330Ω				R16	330Ω			
R7	3300Ω				R17	3000Ω			
R8	82K				R18	68Ω			
R9	10K				R19	10Ω			
R10	470Ω				R20	10Ω			
R11	3300Ω								

Note 1. Some versions may use 10K in this application.

PARTS LIST AND DESCRIPTIONS (Continued)

TRANSFORMER (DRIVER)

ITEM No.	Turns Ratio		REPLACEMENT DATA					NOTES	
			SONIC PART No.	Halldorson PART No.	Merit PART No.	Stancor PART No.	Thordarson PART No.		Triad PART No.
	PRI.	SEC.							
T1	1.5 :	1	TR-6-D						

TRANSFORMER (AUDIO OUTPUT)

ITEM No.	IMPEDANCE		REPLACEMENT DATA					NOTES	
			SONIC PART No.	Halldorson PART No.	Merit PART No.	Stancor PART No.	Thordarson PART No.		Triad PART No.
	PRI.	SEC.							
T2	208 Ω CT	3-4 Ω	TR-6-0						

SPEAKER

ITEM No.	TYPE			REPLACEMENT DATA		NOTES
				SONIC PART No.	QUAM PART No.	
	SIZE	FIELD	V. C. IMP.			
SP1	5"	PM	3-4 Ω		5AIR	

COILS (RF-IF)

ITEM No.	USE	REPLACEMENT DATA				NOTES
		SONIC PART No.	MEISSNER PART No.	MERIT PART No.	MILLER PART No.	
L1	Loop Stick					
L2	Osc. Coil					
L3	1st. IF	TR-77-7				
L4	2nd. IF	TR-77-7				
L5	3rd. IF	TR-77-6				

BATTERIES

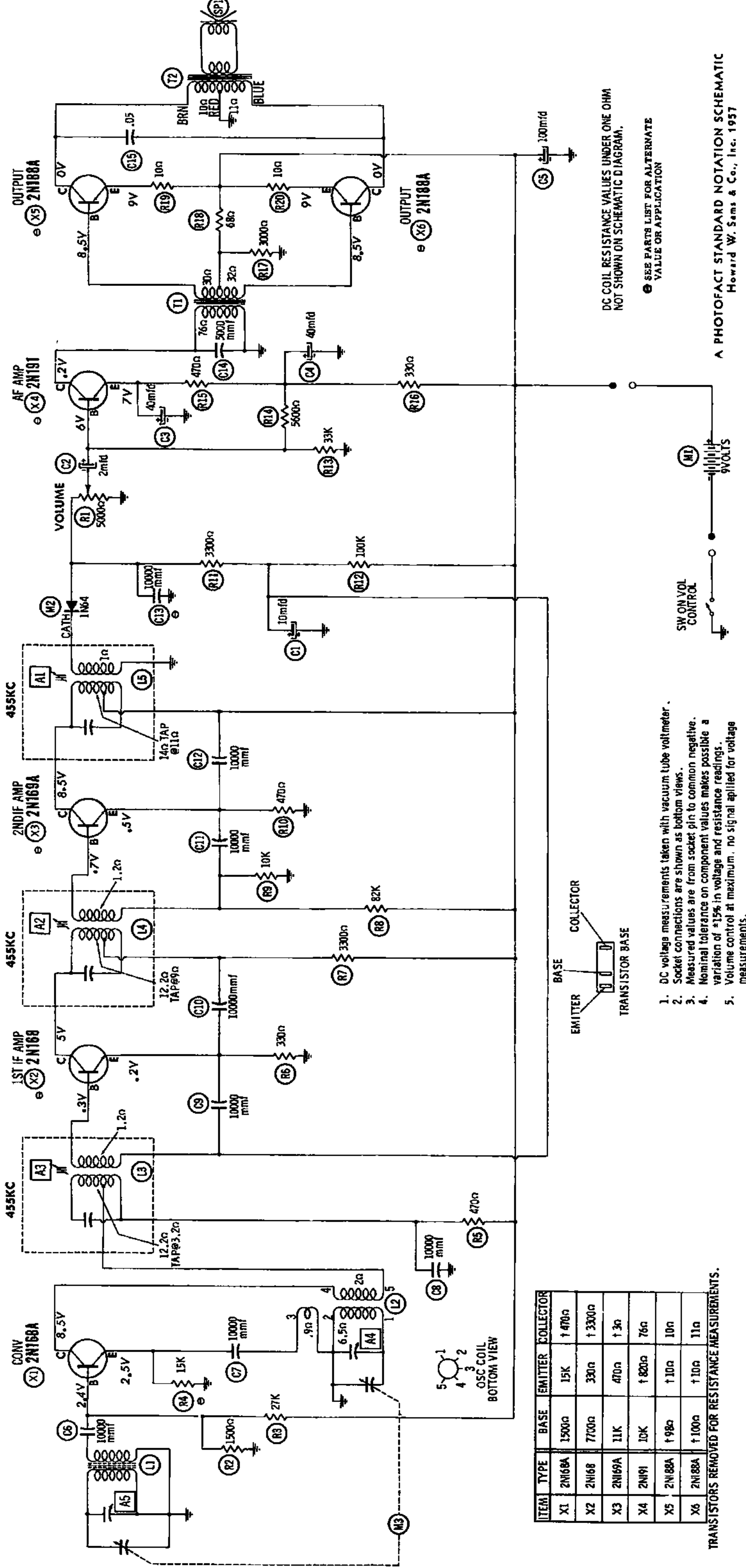
ITEM No.	VOLTAGE	SONIC PART No.	REPLACEMENT DATA						NOTES		
			BURGESS		EVEREADY		MALLORY			RAY-O-VAC	
			"A"	"B"	"A"	"B"	"A"	"B"		"A"	"B"
M1	9V		P6		226		M1600		1800		

CRYSTAL DIODES

ITEM No.	ORIG. TYPE	REPLACEMENT DATA			NOTES
		SONIC PART No.	CBS PART No.	SYLVANIA PART No.	
M2	1N64		1N64	1N60	AM Detector

MISCELLANEOUS

ITEM No.	PART NAME	SONIC PART No.	NOTES
M3	Tuning Cap.		2 Gang (Ant. 15-210MMF)



ITEM	TYPE	BASE	EMITTER	COLLECTOR
X1	2N168A	1500Ω	15K	† 470Ω
X2	2N168	7700Ω	330Ω	† 3300Ω
X3	2N169A	11K	470Ω	† 3Ω
X4	2N191	10K	† 820Ω	76Ω
X5	2N188A	† 98Ω	† 10Ω	10Ω
X6	2N188A	† 100Ω	† 10Ω	11Ω

TRANSISTORS REMOVED FOR RESISTANCE MEASUREMENTS.

1. DC voltage measurements taken with vacuum tube voltmeter.
2. Socket connections are shown as bottom views.
3. Measured values are from socket pin to common negative.
4. Nominal tolerance on component values makes possible a variation of ±15% in voltage and resistance readings.
5. Volume control at maximum. no signal applied for voltage measurements.

DC COIL RESISTANCE VALUES UNDER ONE OHM NOT SHOWN ON SCHEMATIC DIAGRAM.

SEE PARTS LIST FOR ALTERNATE VALUE OR APPLICATION