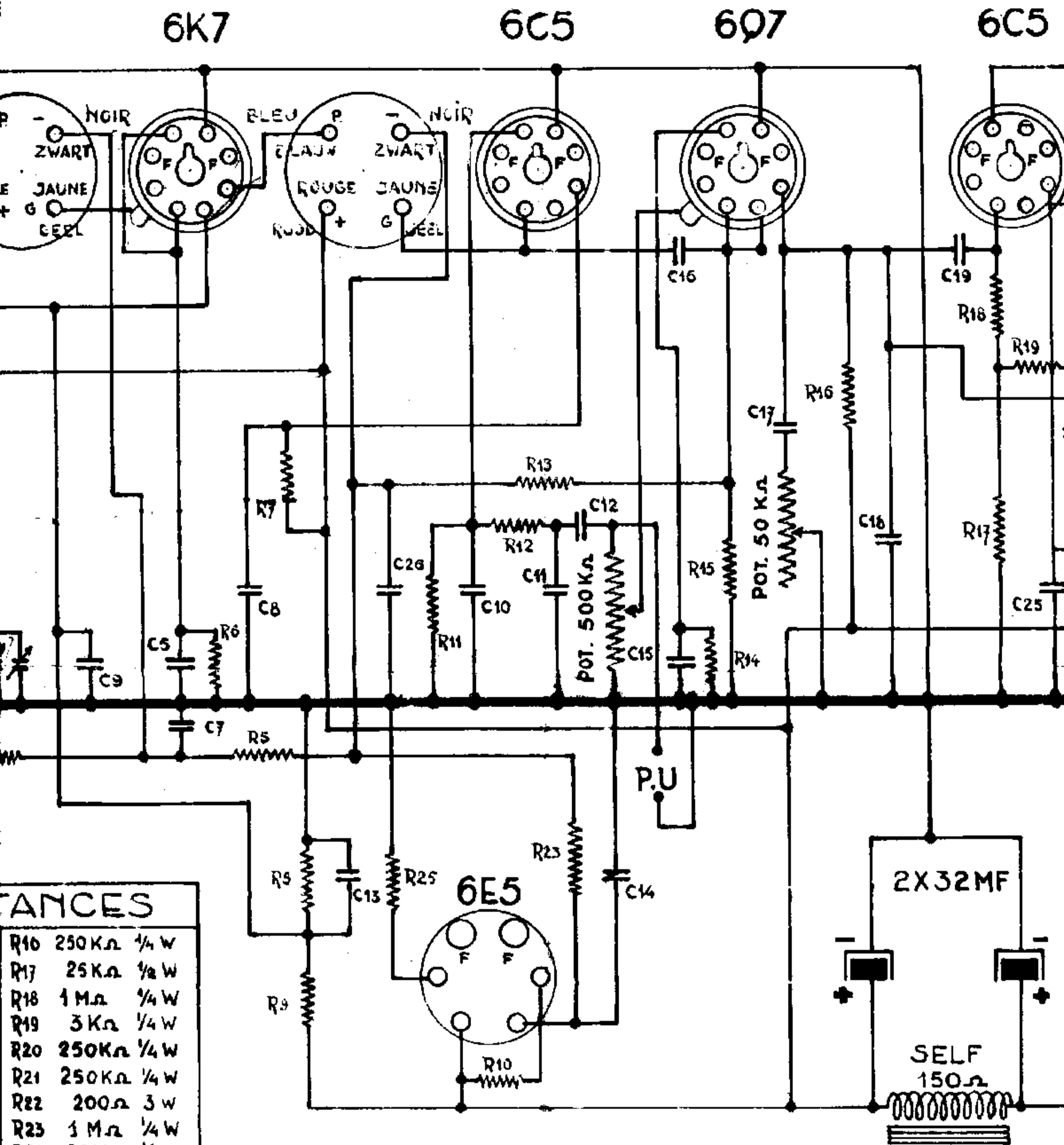


CONDENSATEURS				RESISTANCES					
C1	500	cm	C15	10MF	40V	R1	50K Ω 1/4W	R10	250K Ω 1/4W
C2	500	cm	C16	100	cm	R2	15K Ω 1W	R17	25K Ω 1/2W
C3	100	cm	C17	25.000	cm	R3	250 Ω 1/2W	R18	1M Ω 1/4W
C4	0.1	MF	C18	100	cm	R4	500K Ω 1/4W	R19	3K Ω 1/4W
C5	0.1	MF	C19	25.000	cm	R5	500K Ω 1/4W	R20	250K Ω 1/4W
C6	50.000	cm	C20	25.000	cm	R6	250 Ω 1/2W	R21	250K Ω 1/4W
C7	50.000	cm	C21	25.000	cm	R7	25K Ω 1/2W	R22	200 Ω 3W
C8	0.1	MF	C22	5.000	cm	R8	25K Ω 1/2W	R23	1M Ω 1/4W
C9	0.1	MF	C23	5.000	cm	R9	20K Ω 2W	R24	25K Ω 1/2W
C10	500	cm	C24	10MF	40V	R10	1M Ω 1/4W	R25	1000 Ω 1/2W
C11	250	cm	C25	250	cm	R11	50K Ω 1/4W	R26	250K Ω 1/4W
C12	10.000	cm	C26	25.000	cm	R12	50K Ω 1/4W	R27	250K Ω 1/4W
C13	0.1	MF	C27	1.000	cm	R13	1M Ω 1/4W	R28	250K Ω 1/4W
C14	25.000	cm	C28	1.000	cm	R14	2K Ω 1W	R29	250K Ω 1/4W
						R15	2M Ω 1/4W		

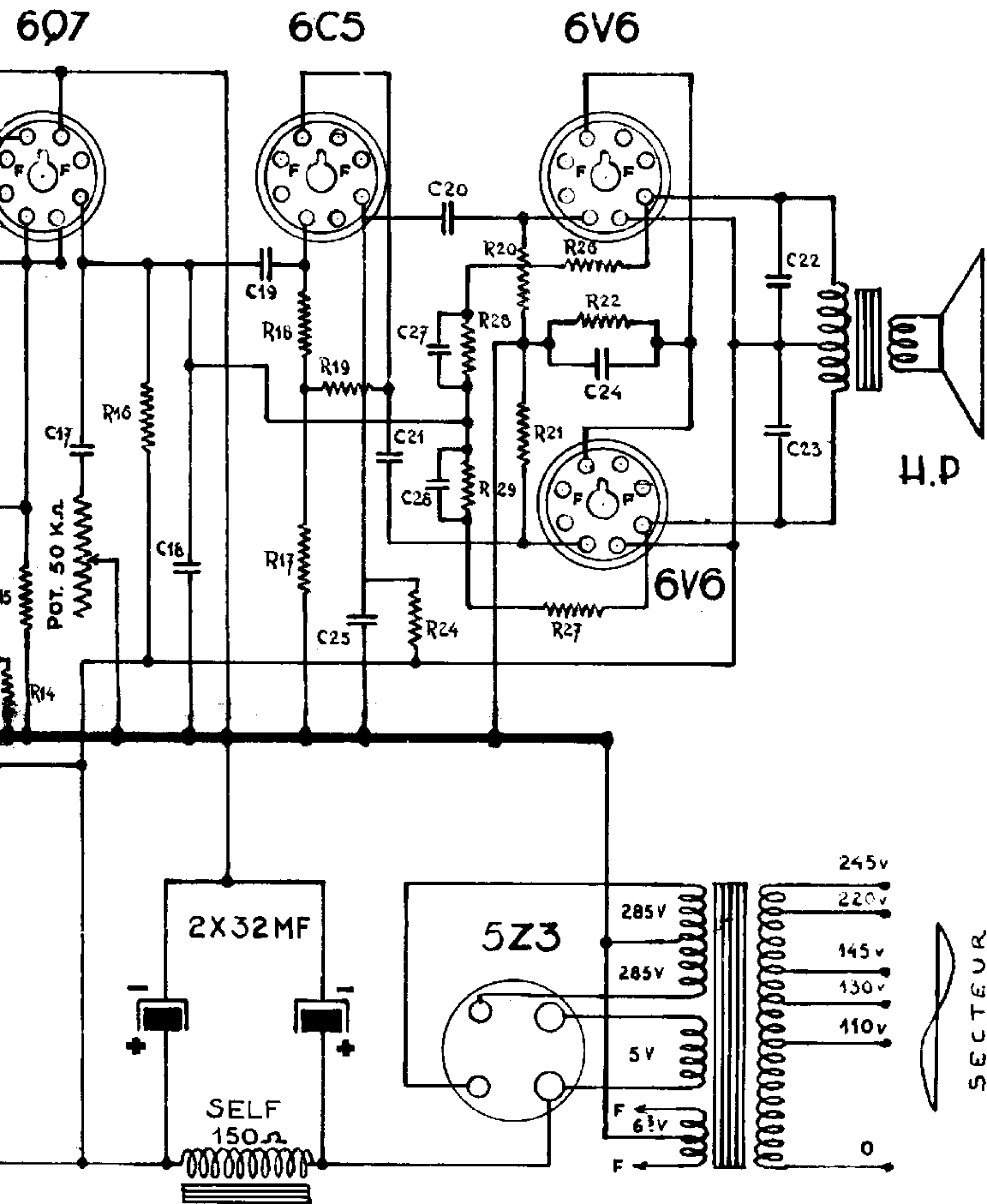
SO



RESISTANCES

R10	250K Ω	1/4 W
R17	25K Ω	1/2 W
R18	1M Ω	1/4 W
R19	3K Ω	1/4 W
R20	250K Ω	1/4 W
R21	250K Ω	1/4 W
R22	200 Ω	3 W
R23	1M Ω	1/4 W
R24	25K Ω	1/2 W
R25	1000 Ω	1/2 W
R26	250K Ω	1/4 W
R27	250K Ω	1/4 W
R28	250K Ω	1/4 W
R29	250K Ω	1/4 W

SOCORA **SU**
PUSH



RA SUPER PUSH-PULL 949A