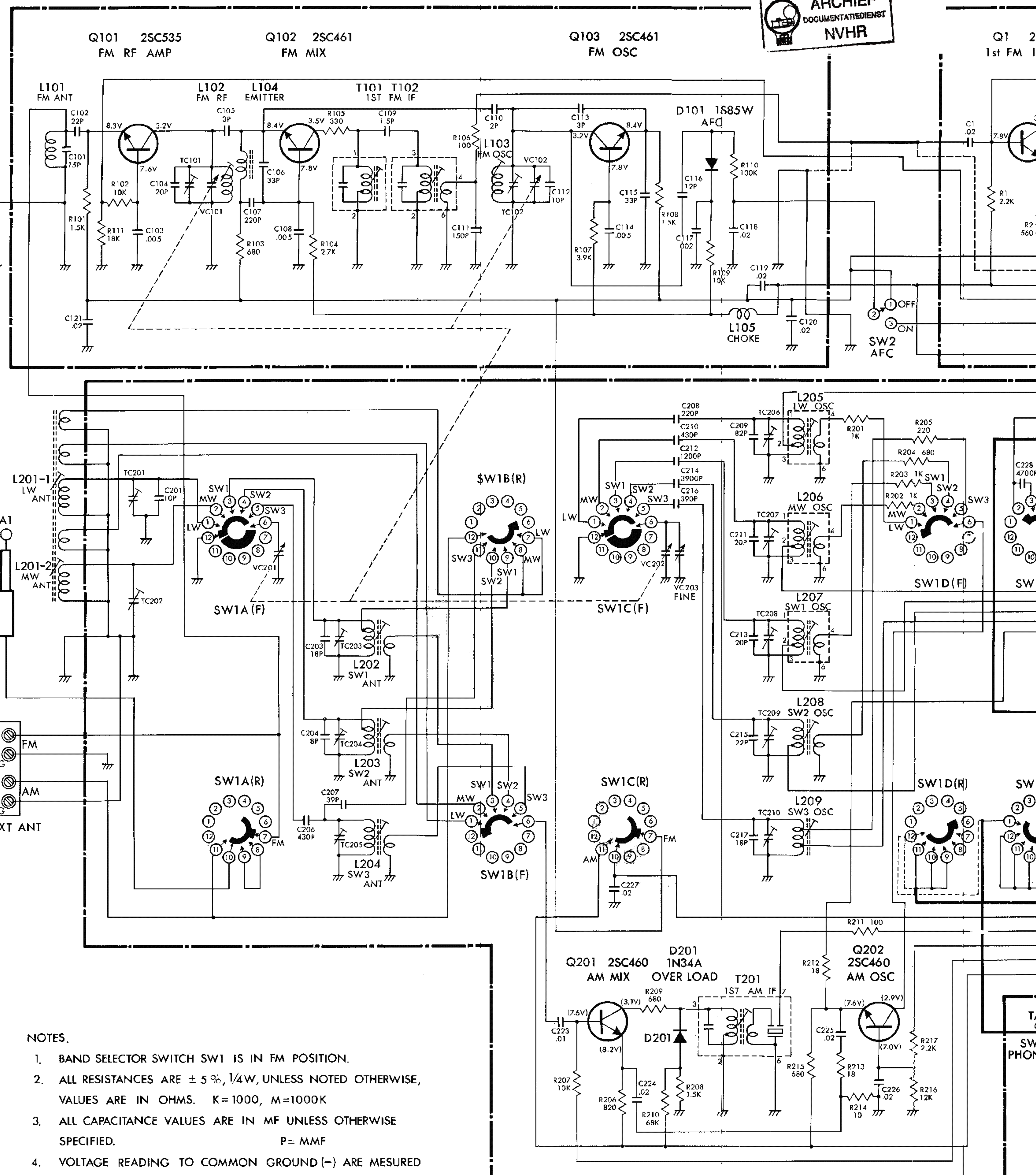
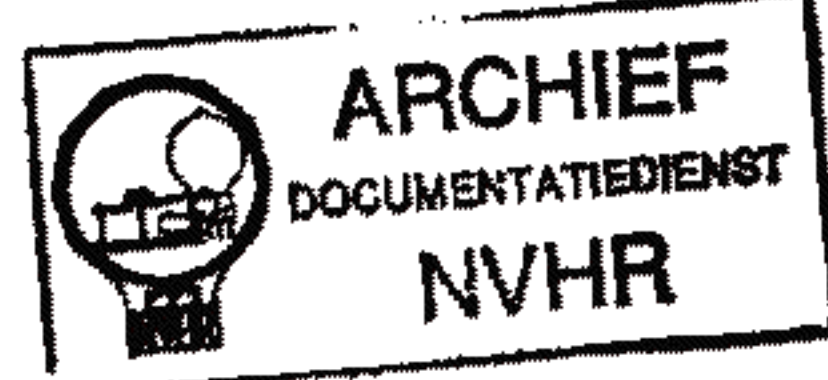


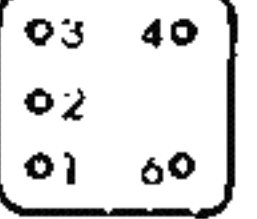
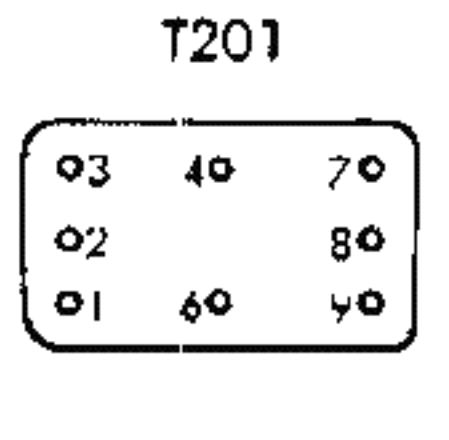
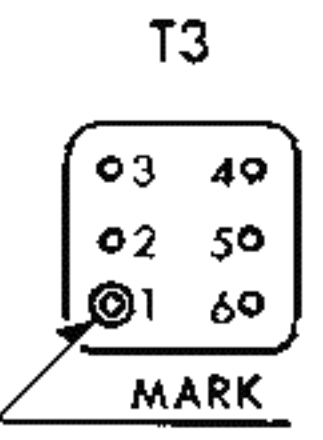
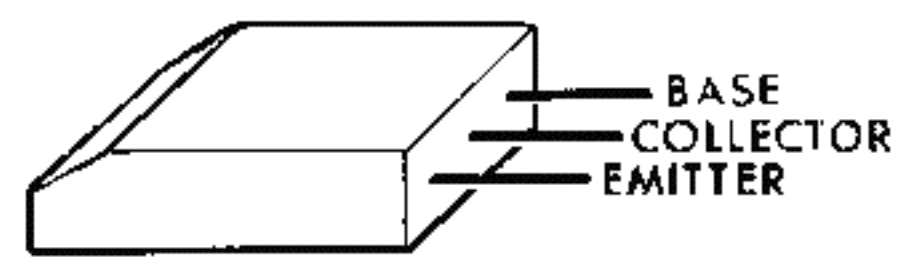
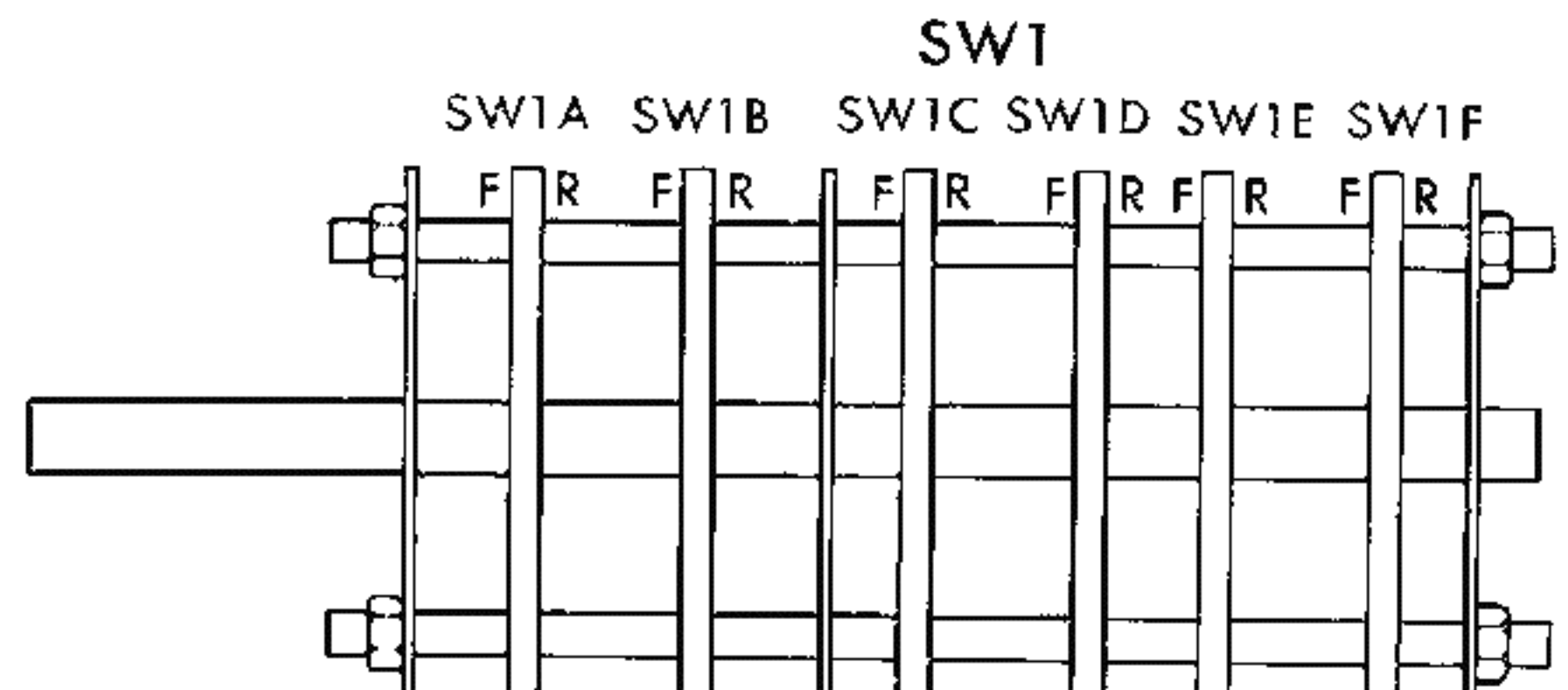
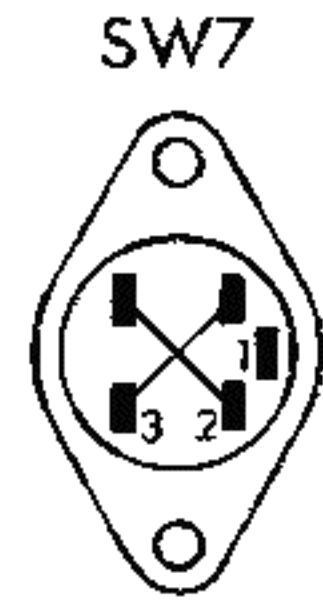
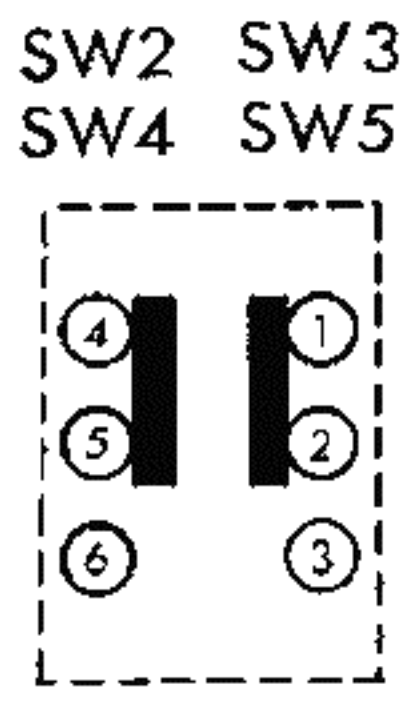
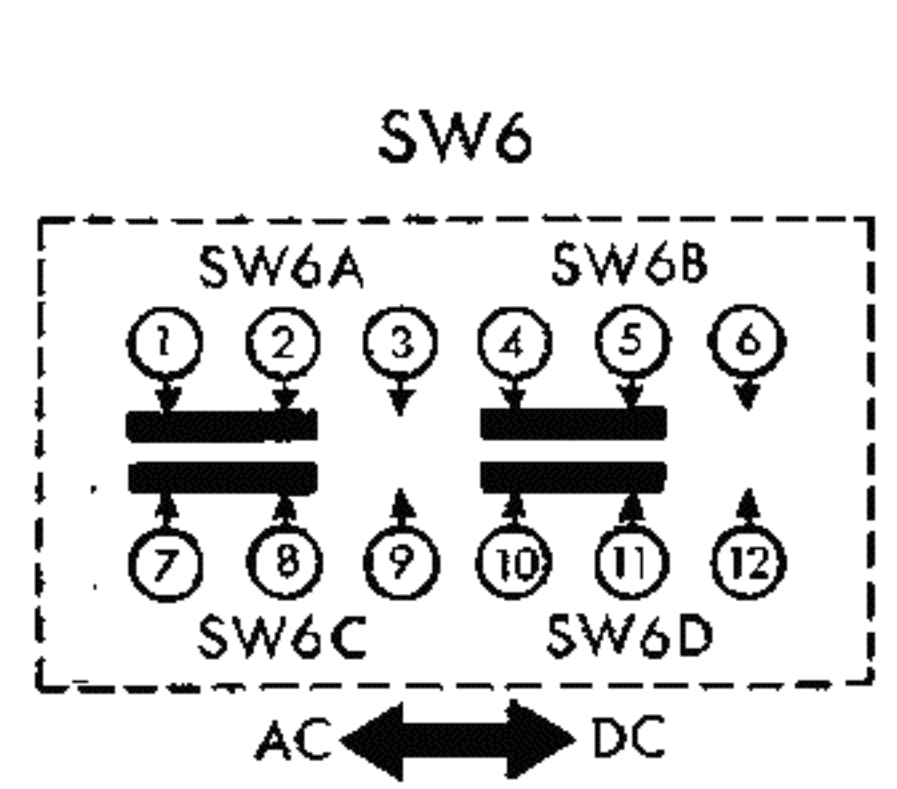
# SCHEMATIC DIAGRAM



**NOTES.**

1. BAND SELECTOR SWITCH SW1 IS IN FM POSITION.
2. ALL RESISTANCES ARE  $\pm 5\%$ ,  $1/4W$ , UNLESS NOTED OTHERWISE, VALUES ARE IN OHMS. K=1000, M=1000K
3. ALL CAPACITANCE VALUES ARE IN MF UNLESS OTHERWISE SPECIFIED. P= MMF
4. VOLTAGE READING TO COMMON GROUND (-) ARE MESURED WITH VTVM UNDER NO SIGNAL.
5. VOLTAGE MARKED WITH ( ) ARE MESURED IN AM POSITION.

Q1	Q2	Q3	Q4	T1	T2	T3	T4
Q5	Q6	Q101	Q102	T5	T6	T101	T102
Q103	Q201	Q202		L205	L206	L207	



TAP OF SW3 PHONO



