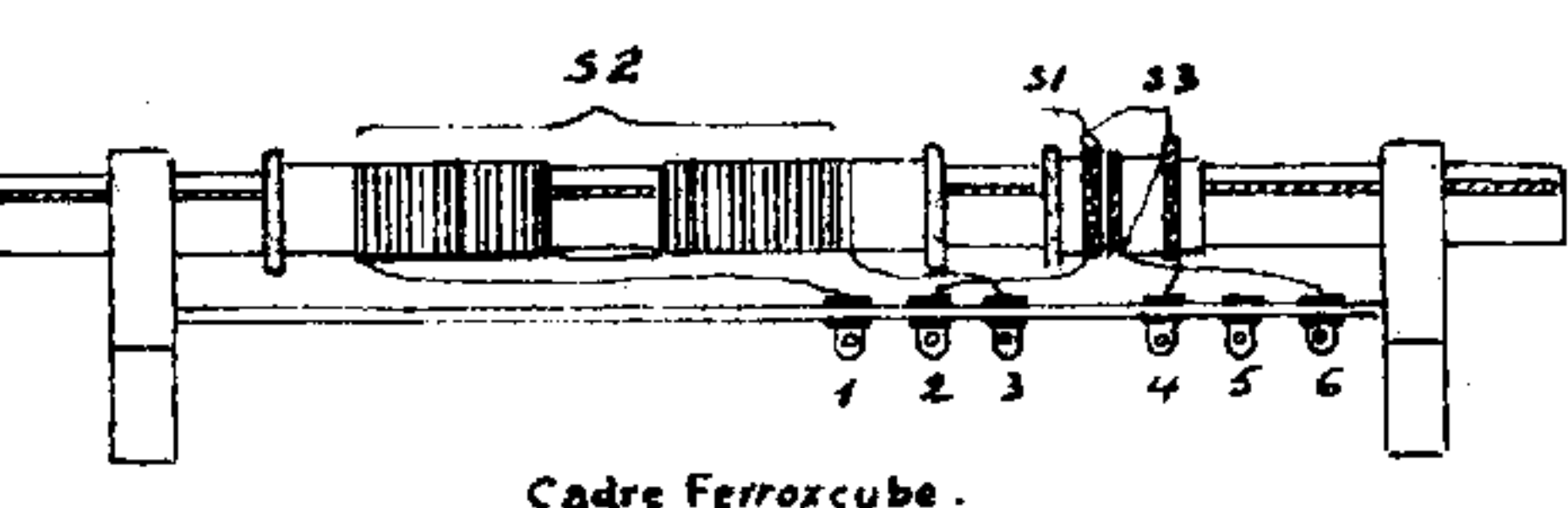
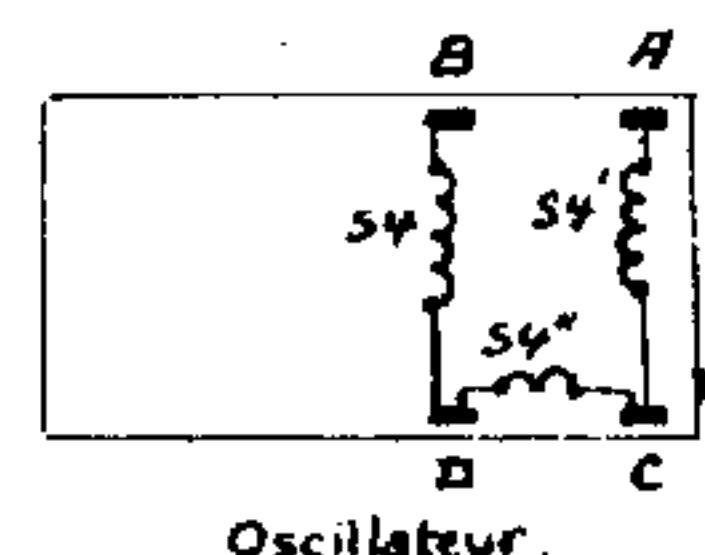


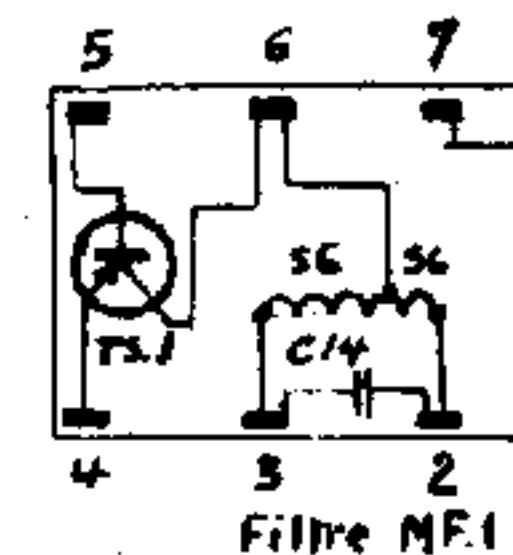
S	3	1	2	4 4' 4"	6.6	7	
C	33.19 37	40	4	2.12	11	6	5
R			2		1.4		



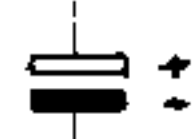
Cadre Ferroxcube.



Oscillateur.



Filtre MF.I

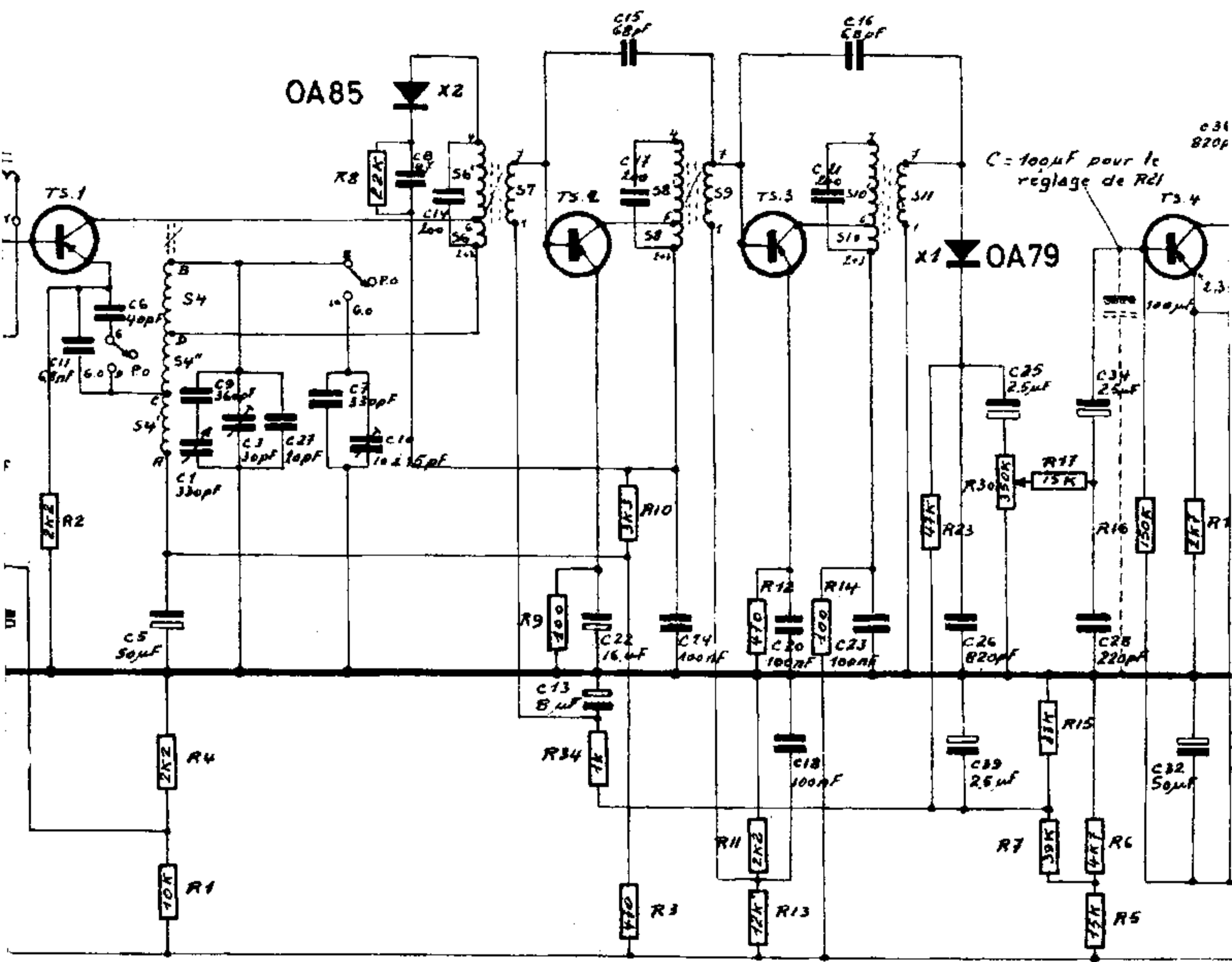


OC 44

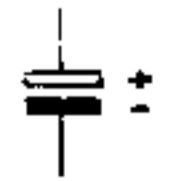
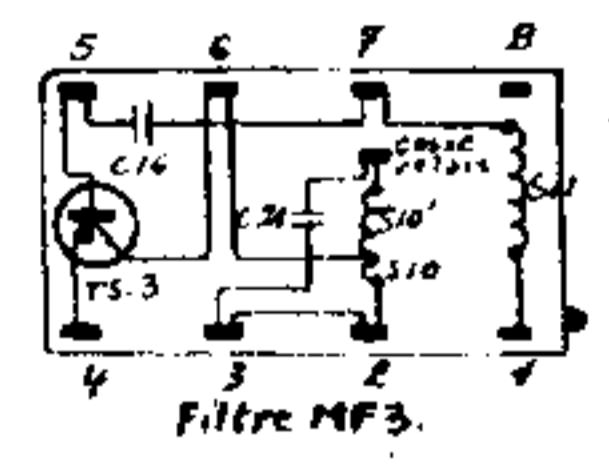
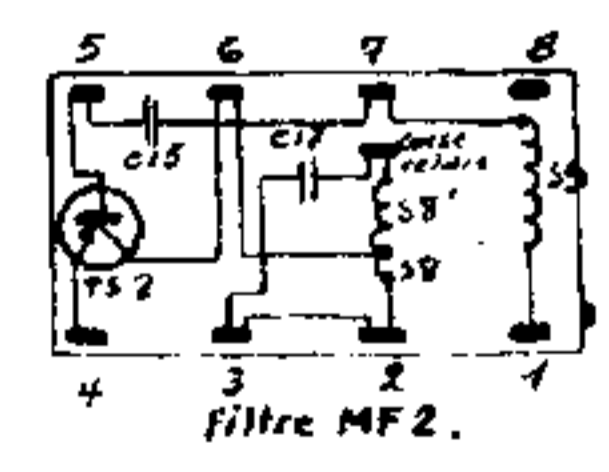
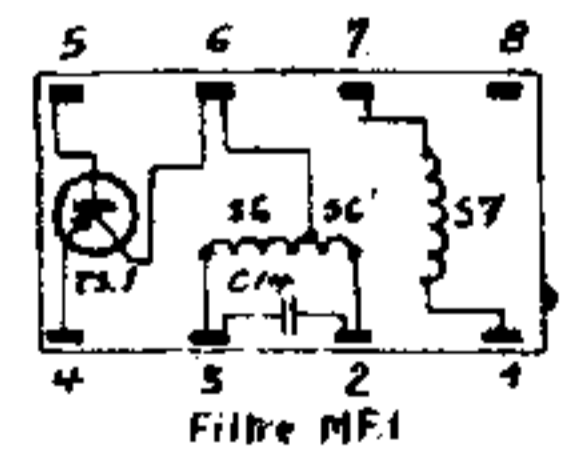
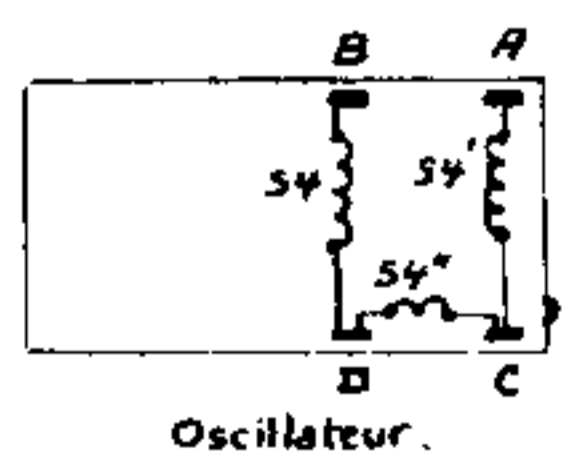
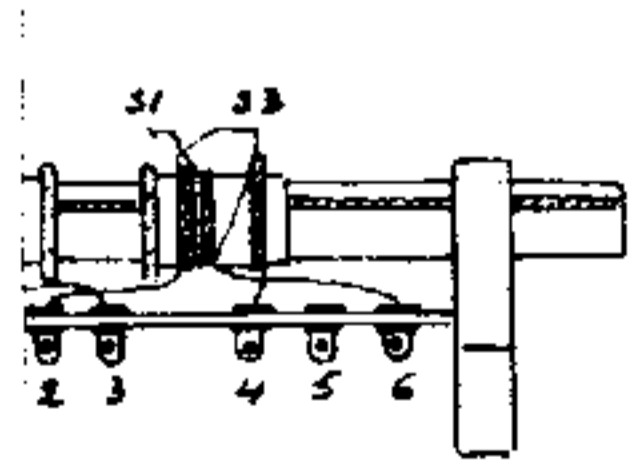
OC 45

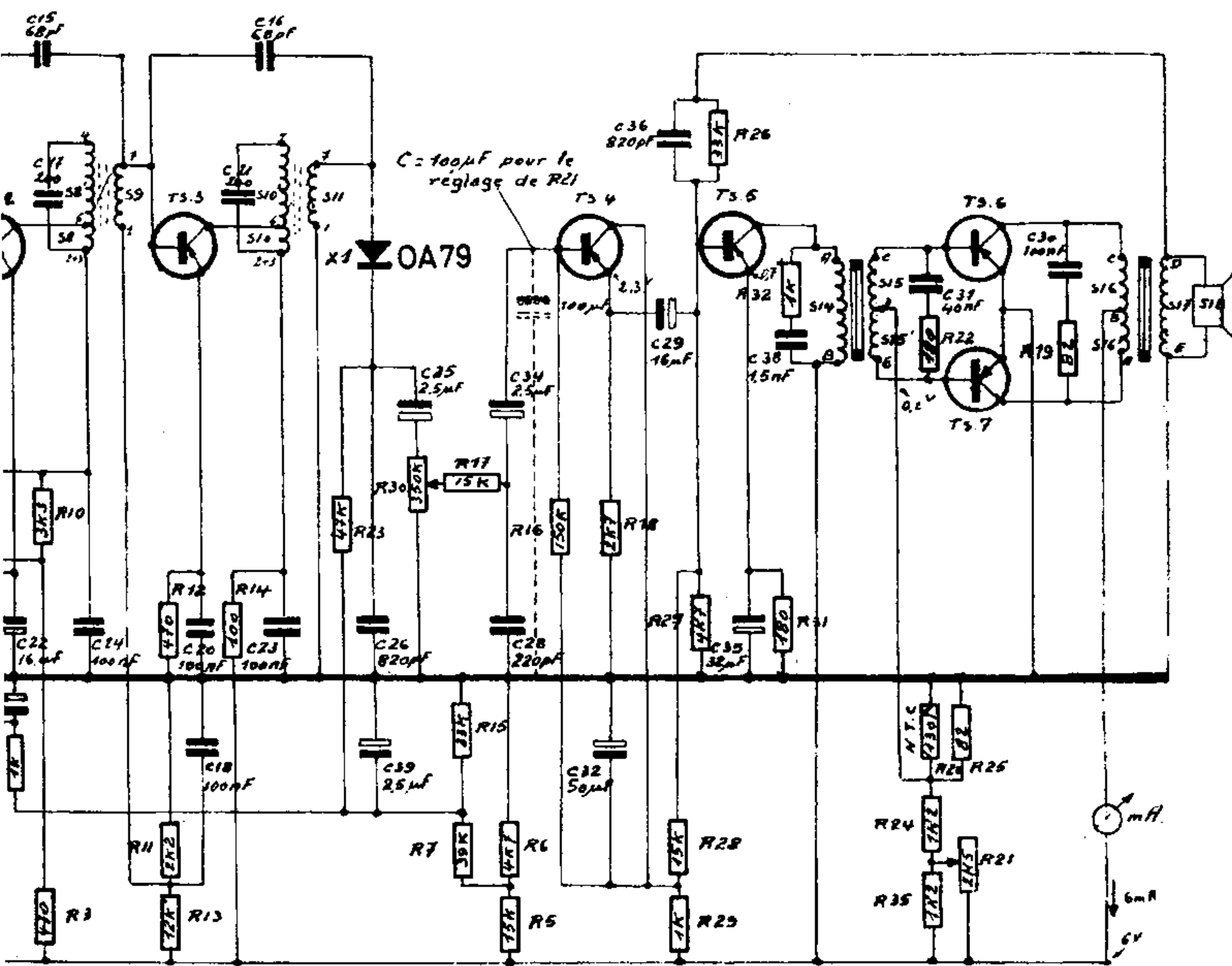
OC 45

OC 71

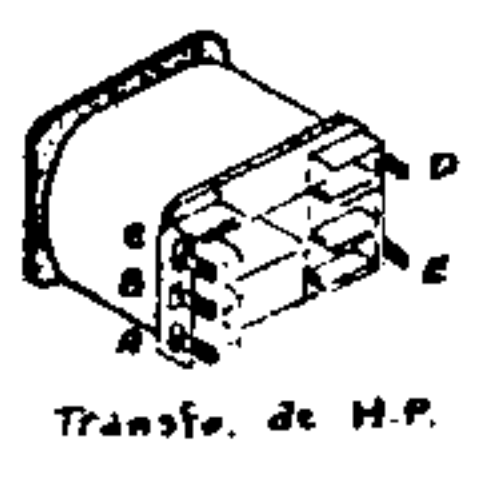
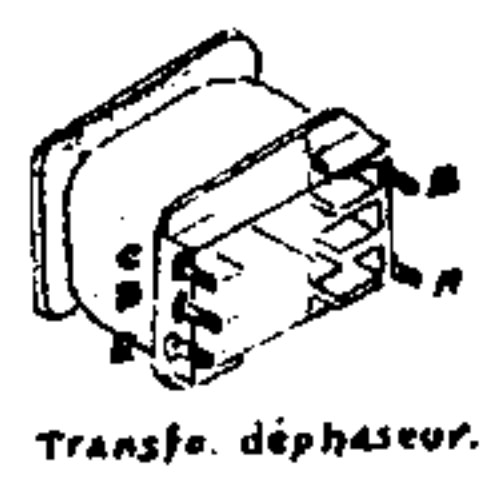
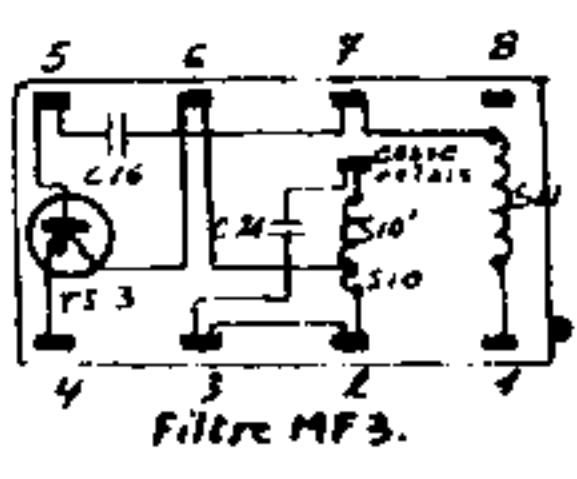
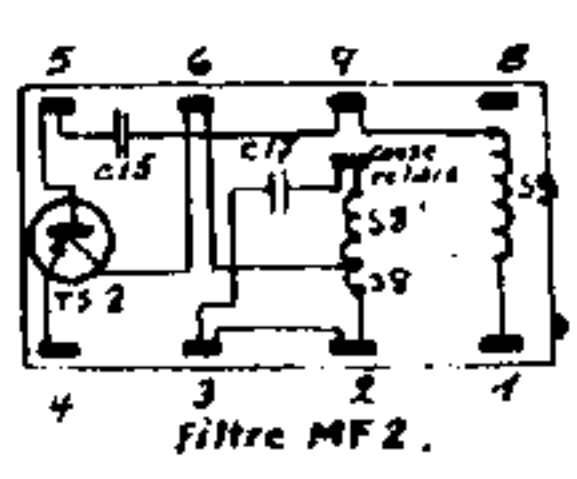
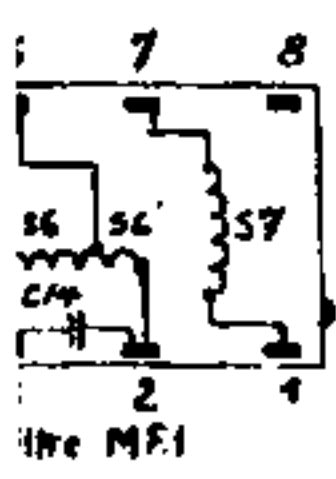


49.4°				6.6: 7				8.8: 9				10.10: 11																	
11	6.	5	1	9.	3.	27.	7.	10.	8.	14.	13.	22.	15.	17.	24.	20.	18.	21.	16.	23.	26.	39.	25.	28.	39.	32.			
2.			1.	4.							9.	34.	70.	3.		11.	12.	13.	14.		23.	30.	7.	15.	17.	6.	5.	16.	18.





2, 8'	9	10	10'	11																
22, 25, 17, 24	20, 18, 21, 16, 23		26, 20, 25	28, 39	32	29, 36	15, 38	31	10											
10, 3,	11, 12, 13, 14	14	23,	30, 15, 17	6, 5, 16	18	27, 28, 29	31, 32	24, 35, 22, 30, 25, 21	19										



Récepteur Radio Ontvanger	
SBR	P. 8
DAT: 9/10/54	R-W-P.8-2