

V1 12AT7

V2 6AJ8 ECH81

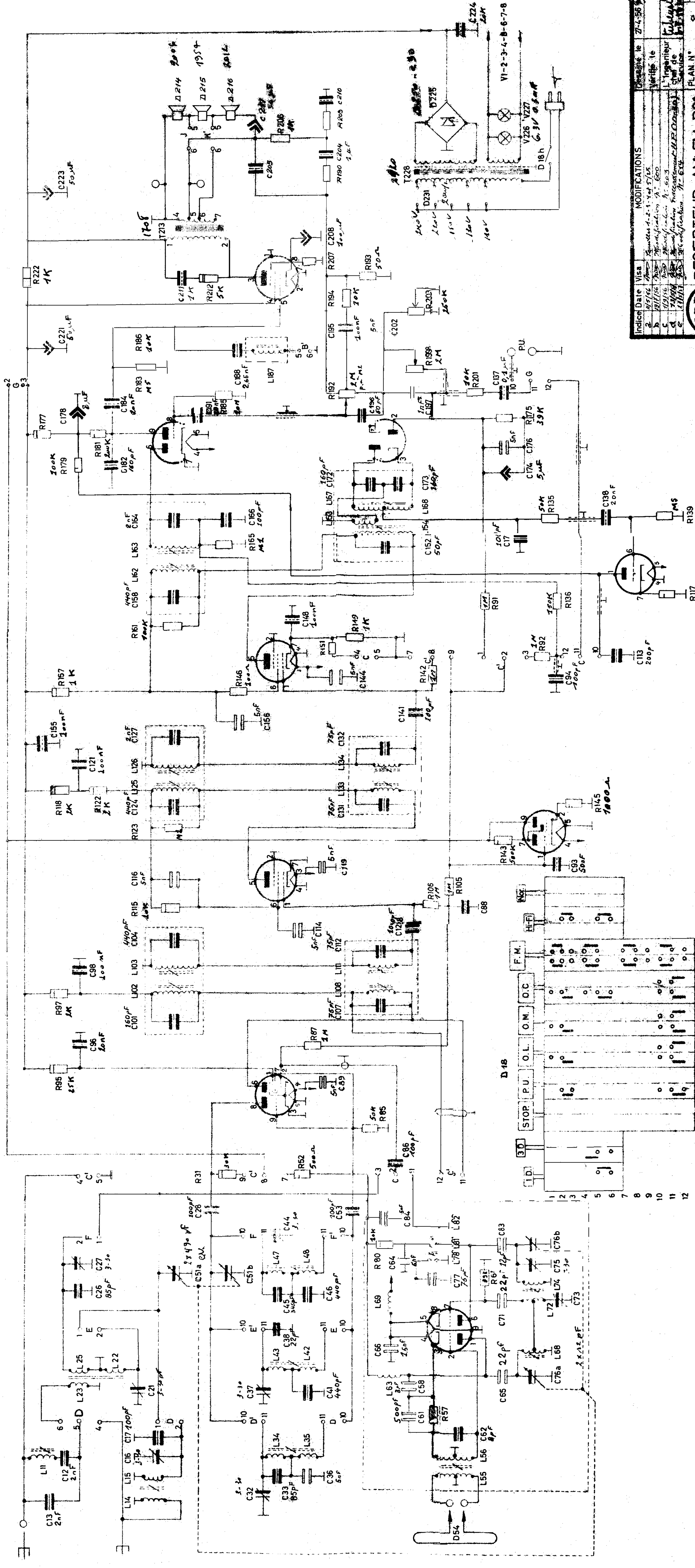
V3 6BA6 EF93

V4 EM 80

V5 6BA6 EF93

V6 6T8 EABC 80

V7 6V6 GT



| Index | Date | Vers | MODIFICATIONS |
|-------|------|------|---------------------------|
| 1 | 1954 | 1 | Amplifier 1-2-3-4-5-6-7-8 |
| 2 | 1954 | 2 | Amplifier 1-2-3-4-5-6-7-8 |
| 3 | 1954 | 3 | Amplifier 1-2-3-4-5-6-7-8 |
| 4 | 1954 | 4 | Amplifier 1-2-3-4-5-6-7-8 |
| 5 | 1954 | 5 | Amplifier 1-2-3-4-5-6-7-8 |
| 6 | 1954 | 6 | Amplifier 1-2-3-4-5-6-7-8 |
| 7 | 1954 | 7 | Amplifier 1-2-3-4-5-6-7-8 |
| 8 | 1954 | 8 | Amplifier 1-2-3-4-5-6-7-8 |
| 9 | 1954 | 9 | Amplifier 1-2-3-4-5-6-7-8 |
| 10 | 1954 | 10 | Amplifier 1-2-3-4-5-6-7-8 |
| 11 | 1954 | 11 | Amplifier 1-2-3-4-5-6-7-8 |
| 12 | 1954 | 12 | Amplifier 1-2-3-4-5-6-7-8 |

RECEPTEUR AM-FM P21
 PLAN N° P21-Sch.
 SBR

V 8 6AB4 ou EC92

KK JJ HH GG FF EE DD CC BB AA