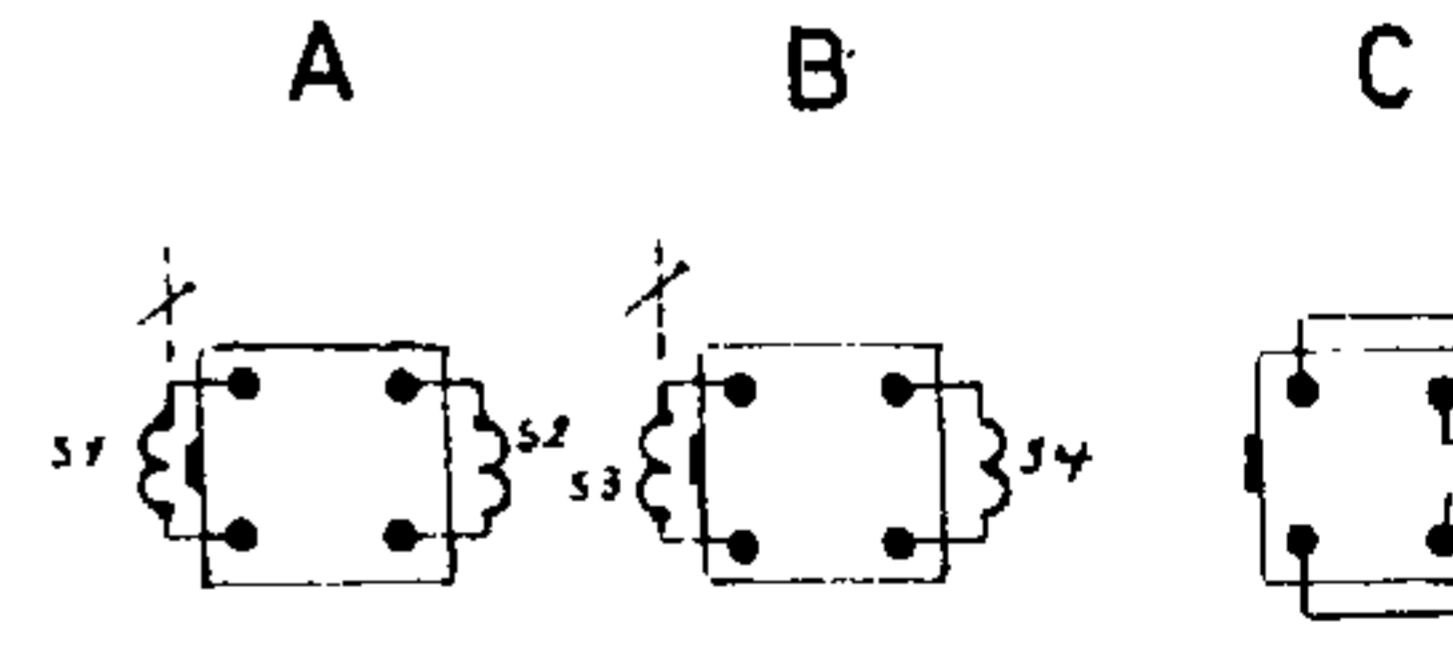
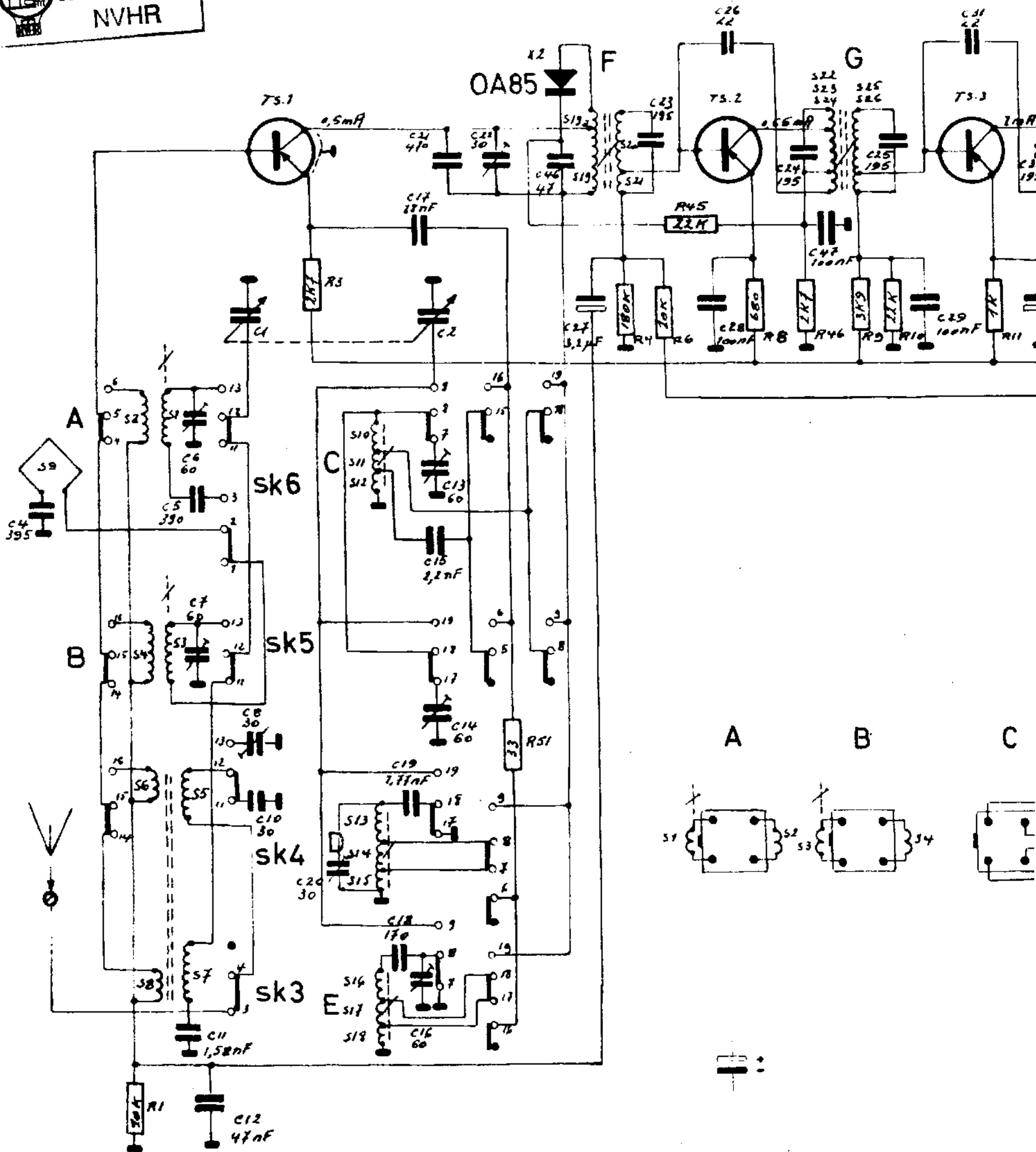
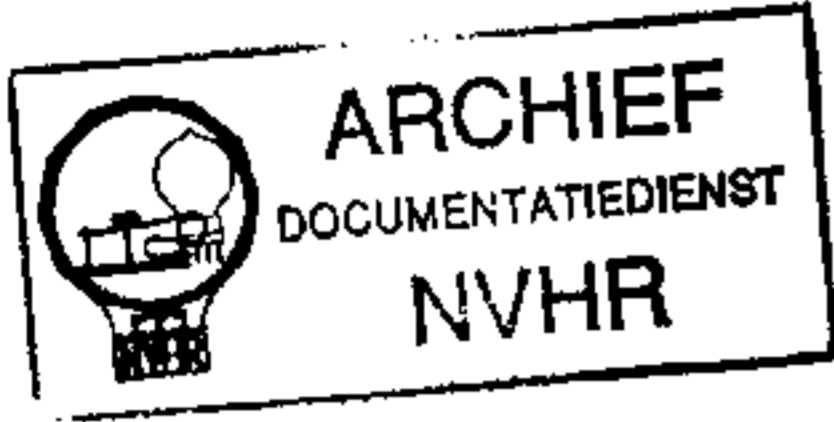
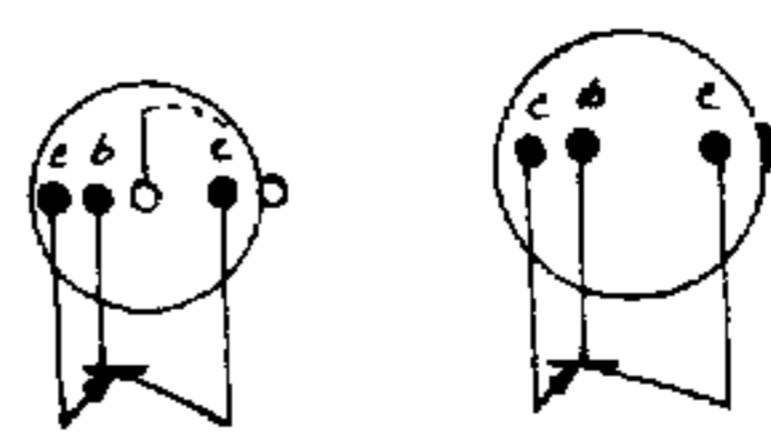
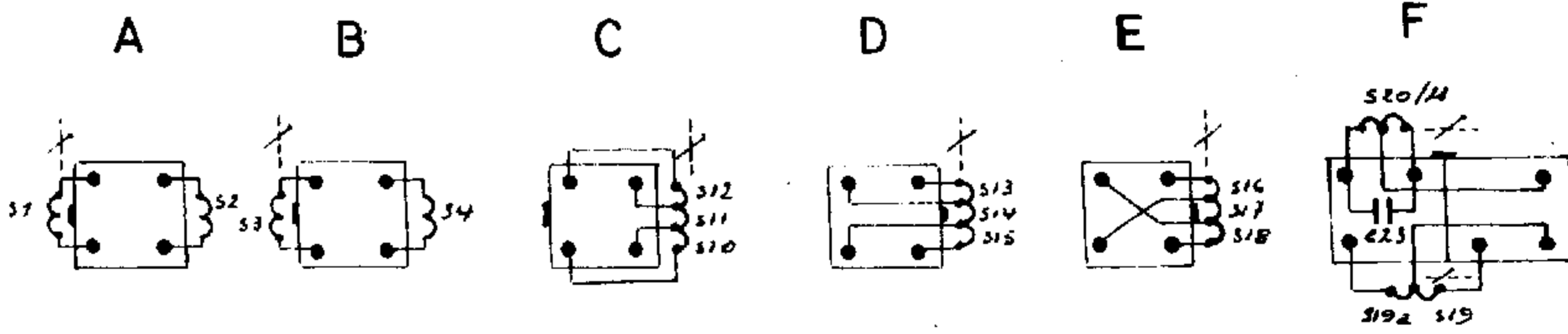
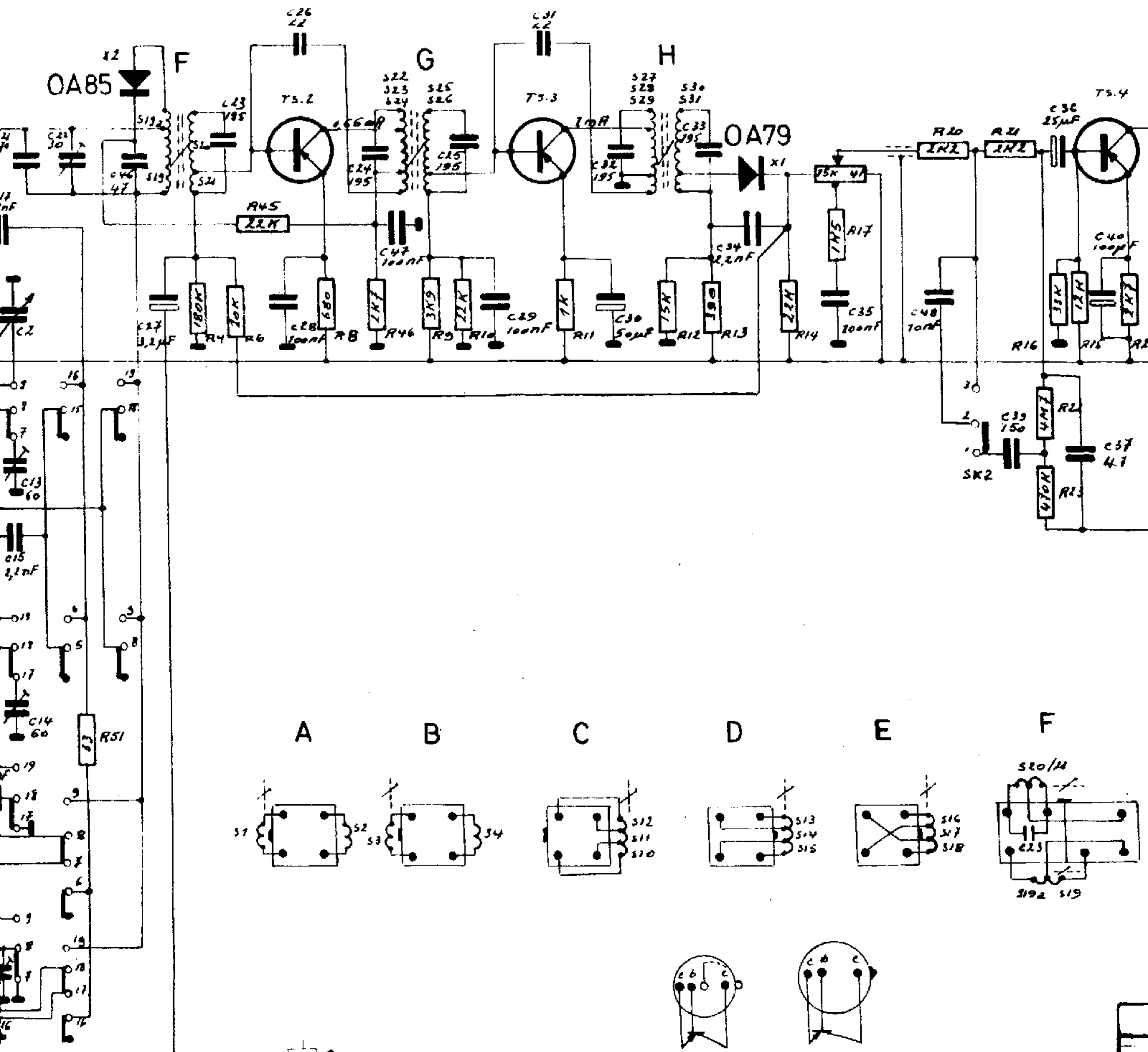


S	9	24 6 8 1 3 5 7	10 11 12 13 14 15 16 17 18	9 20 21	22 23 24 25 26
C	4	6 5 7 11 12 10 8 7	30	18 19 16 14 15 13 2 17 21 22	46 27 23 26 28 24 25 29 31
R	1	3	51	4 6 45	46 B 9 10 11

Ned. Ver. v. Historie v/d Radio

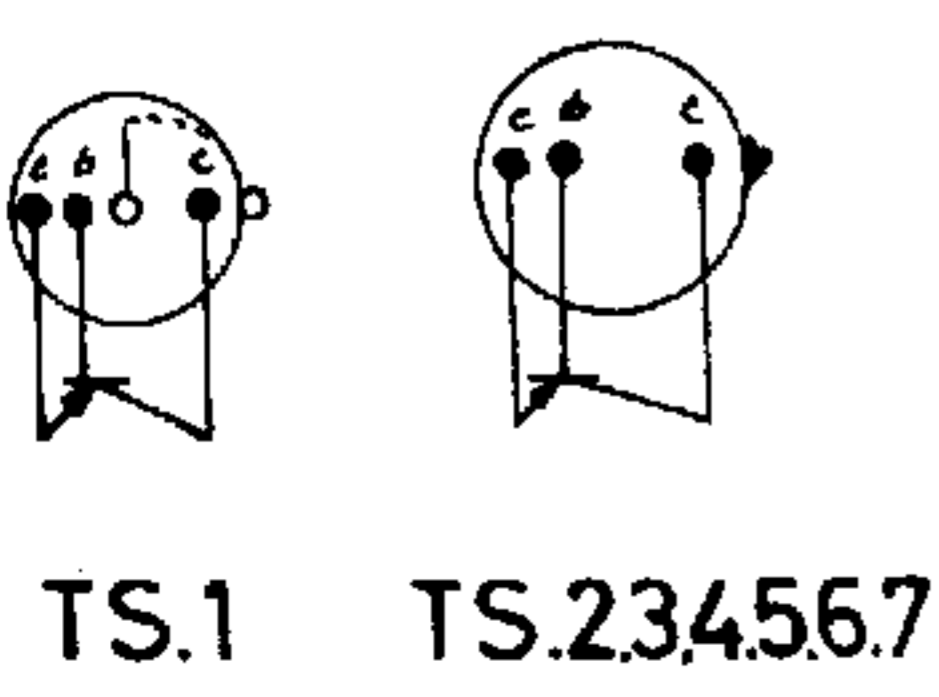
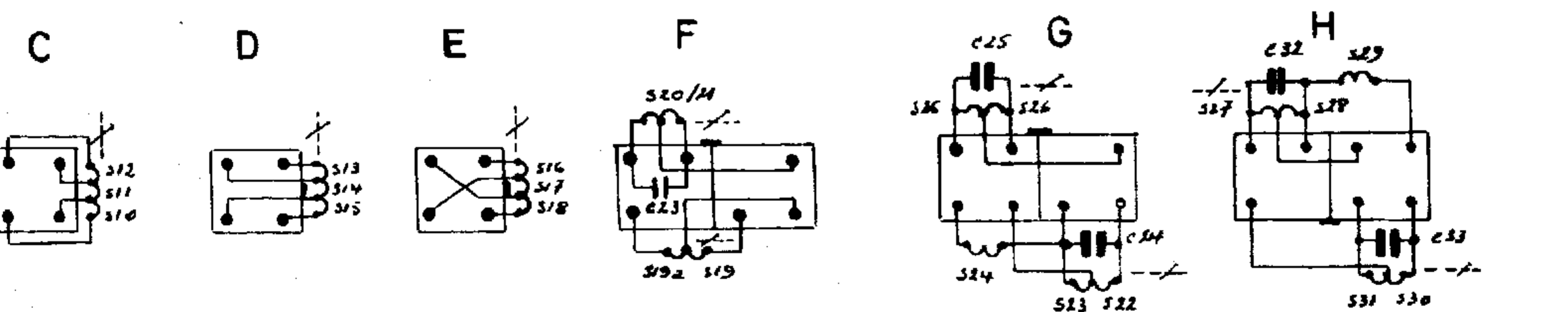
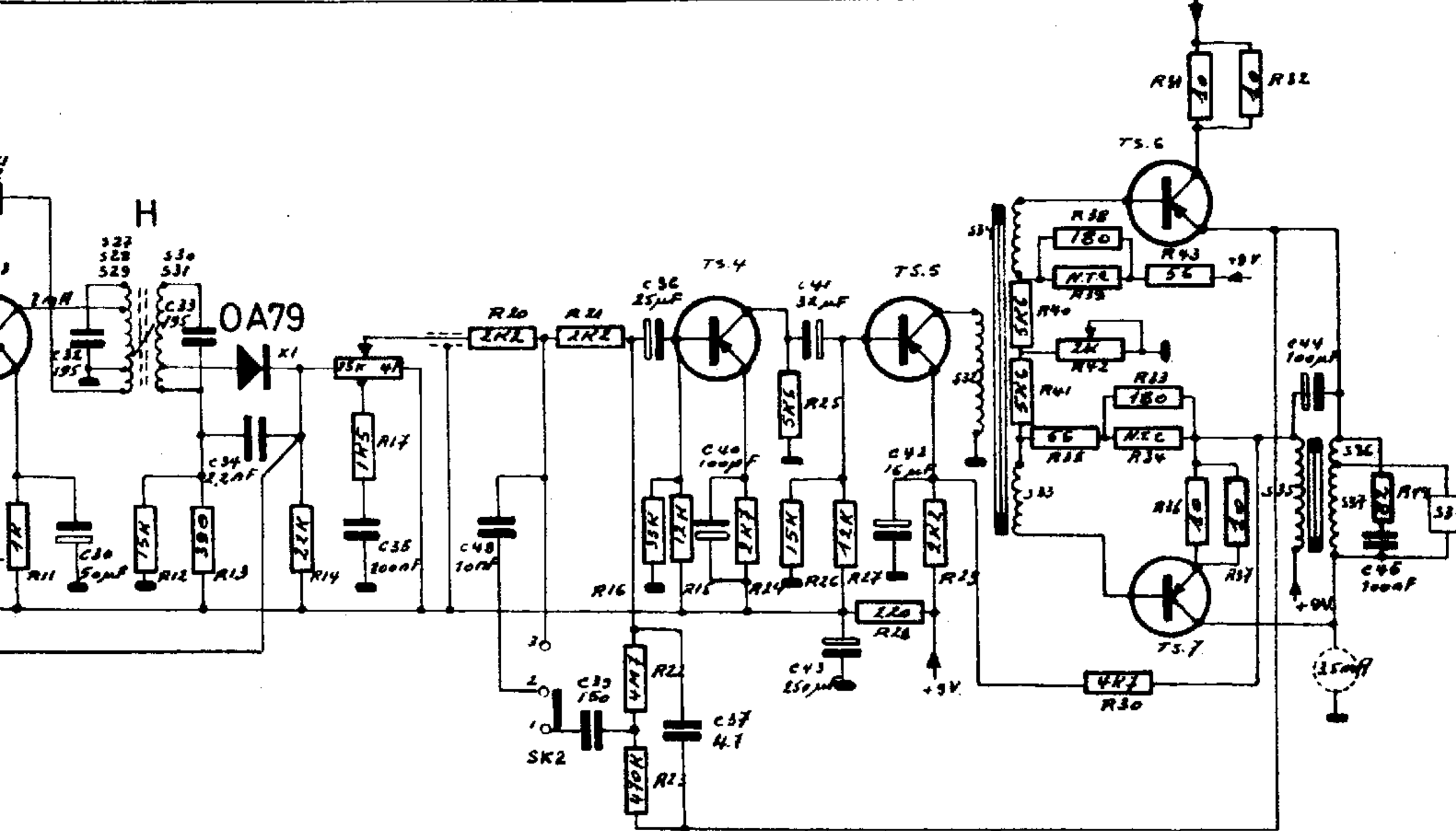


45 16,17,18	9, 20, 21	22, 23, 24, 25, 26	27, 28, 29, 30, 31	32, 33, 34, 35	36, 37, 38, 39, 40	41, 42, 43, 44, 45	46, 47, 48, 49, 50	51
-------------	-----------	--------------------	--------------------	----------------	--------------------	--------------------	--------------------	----



TS.1 TS.234567

27	28	29	30	31	32	33	34	35	36	37	38															
30	32	33	34	35	40	39	36	27	40	41	42															
41	12	13	14	17	20	21	22	16	15	24	25	26	27	28	29	40	41	38	39	42	33	34	31	32	37	32



Récepteur Radio Ontvanger	
<b>SBR</b>	<b>P.13</b>
DAT: 13/1/G	R-W-P.13-2