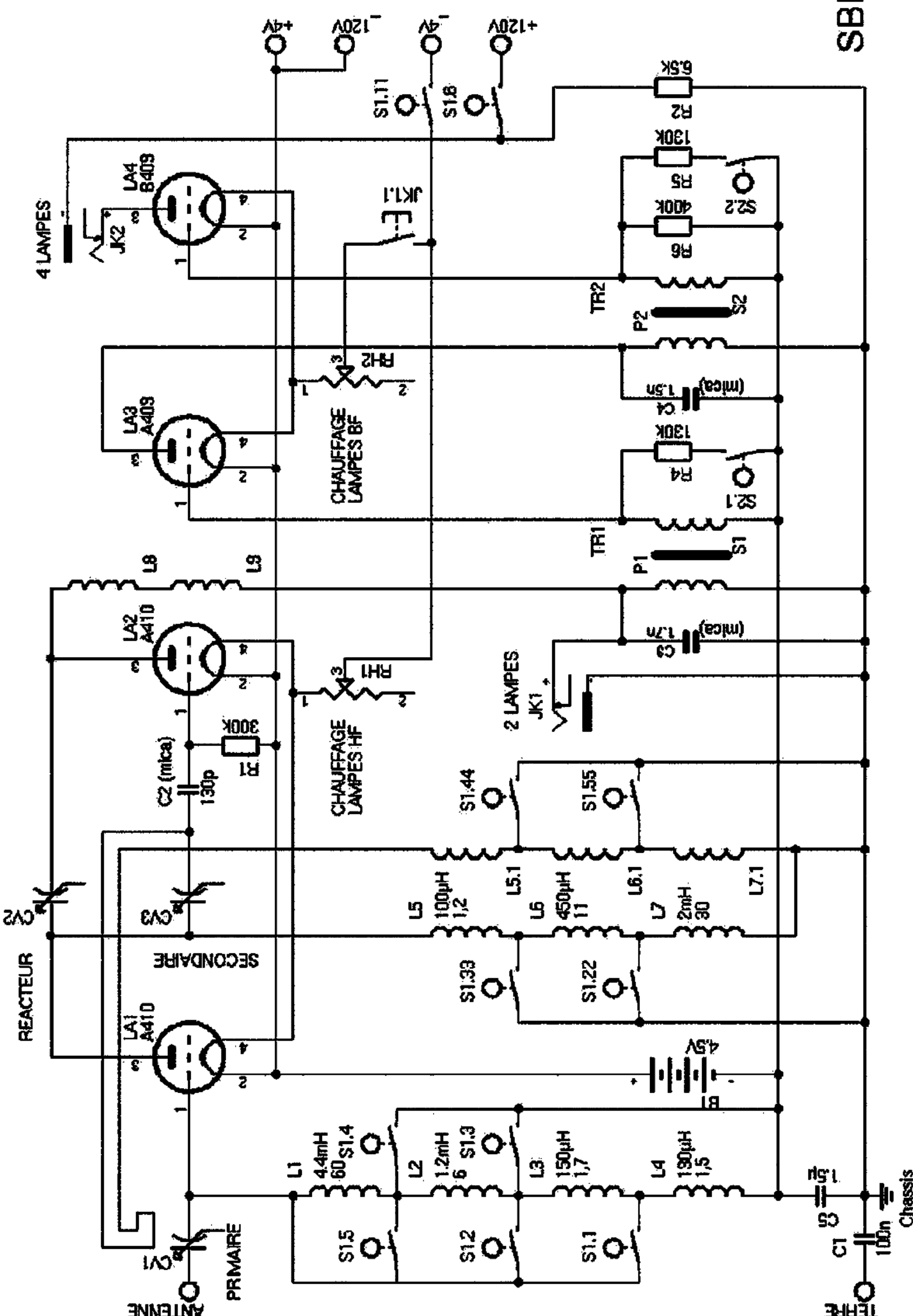


SBR ONDOLINA 1926



S1	175-350	350-500	500-800	900-1200	1200-2000	2000-3000
1	X					
2	X	X				
3		X	X			
4			X	X	X	
5		X	X	X	X	X
6	X	X	X	X	X	X
11	X	X	X	X	X	X
22	X	X	X	X	X	X
33	X	X	X	X	X	X
44	X	X	X	X	X	X
55	X	X	X	X	X	X

S2	1	2
MOYEN	X	X
FORT		X