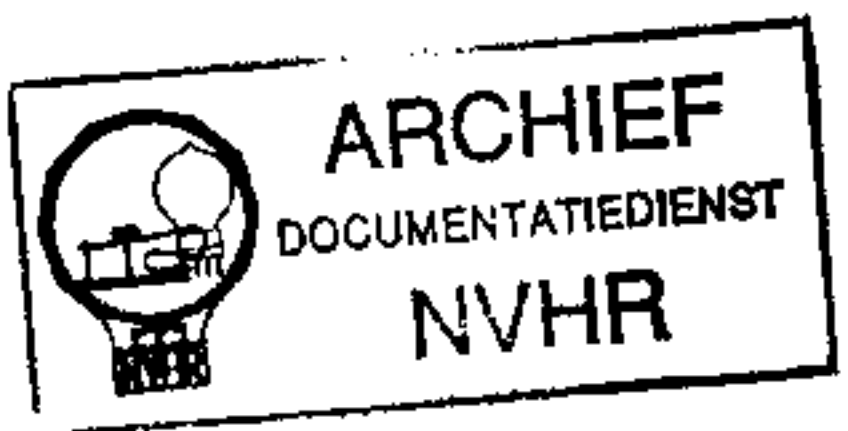
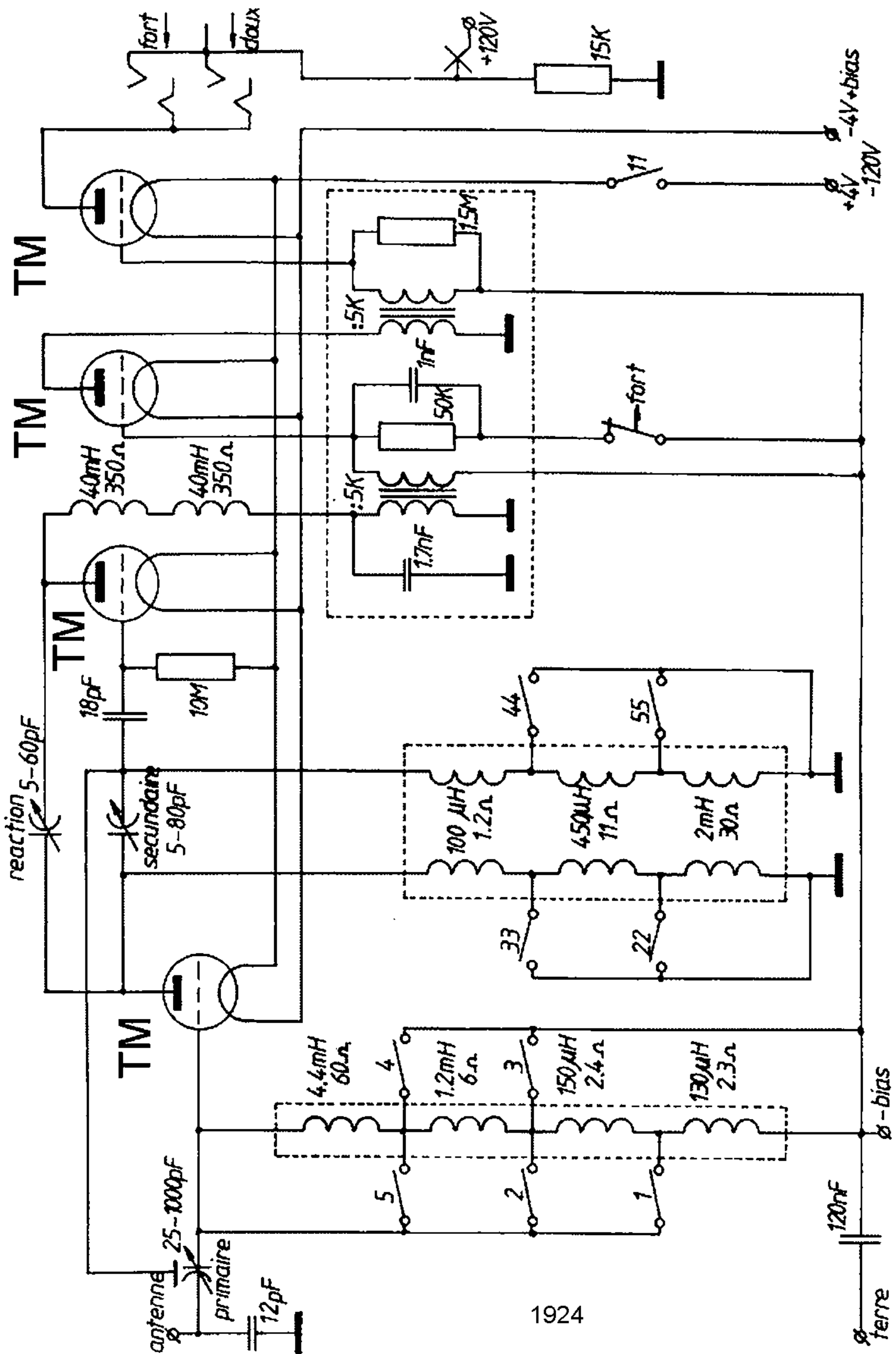
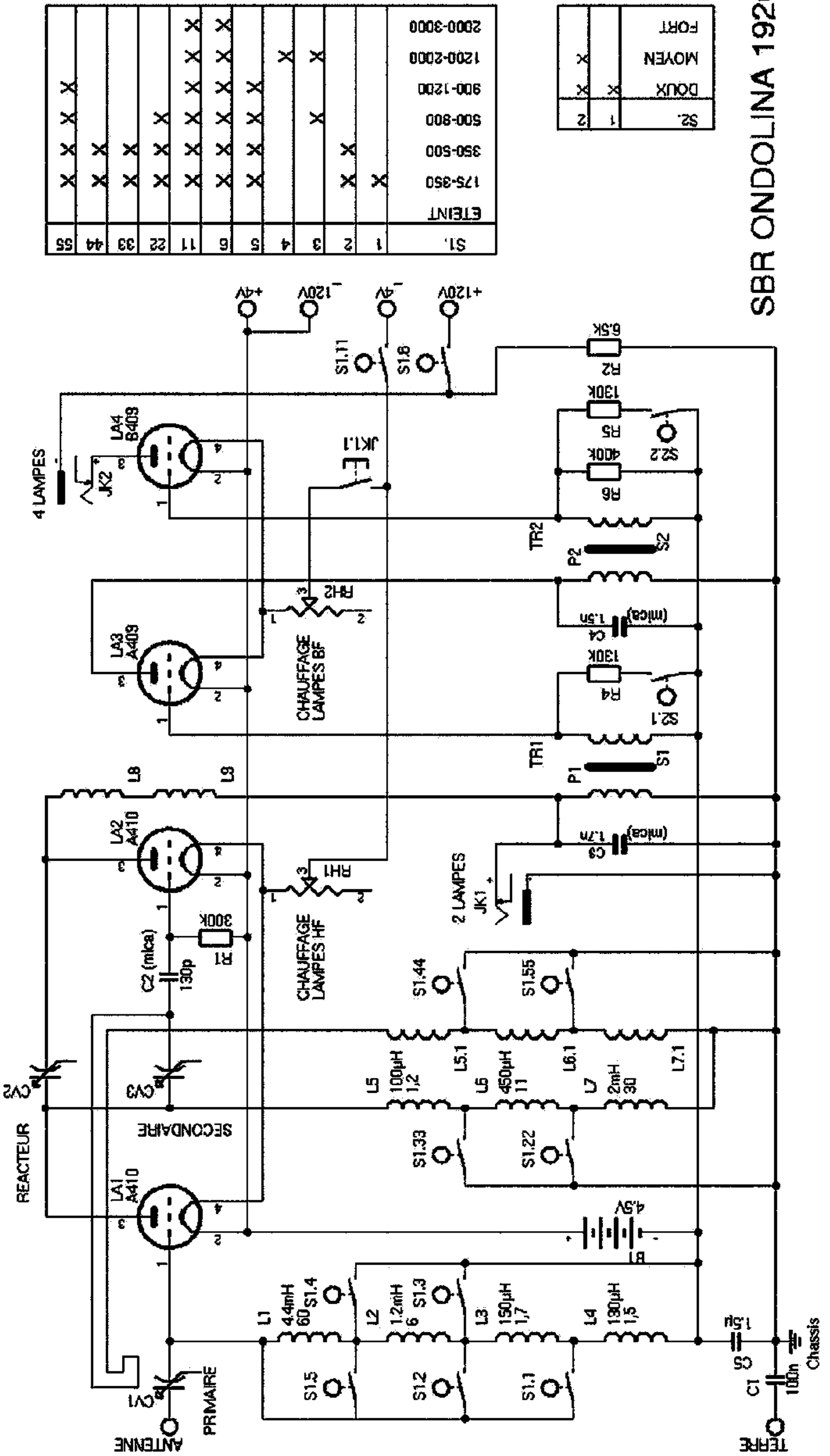


Ned. Ver. v. Historie v/d Radio





# SBR ONDOLINA 1926



S1	ETEINT	175-350	350-500	500-800	900-1200	1200-2000	2000-3000
1	X						
2	X						
3	X						
4		X					
5		X	X	X	X	X	X
6		X	X	X	X	X	X
11		X	X	X	X	X	X
22		X	X	X	X	X	X
33		X	X				
44		X	X				
55		X	X	X	X	X	X

S2	DOUX	MOYEN	FORT
1	X		
2	X	X	

Chassis