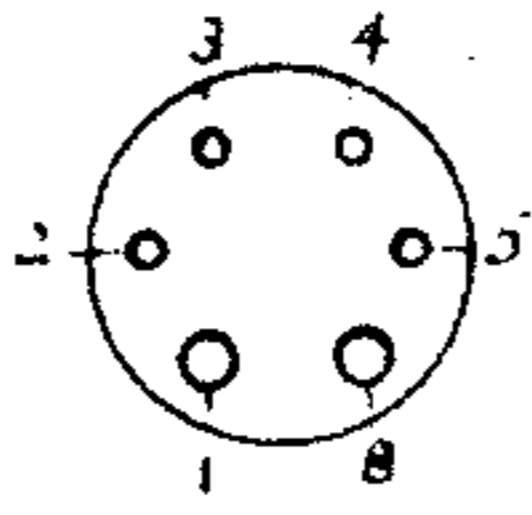
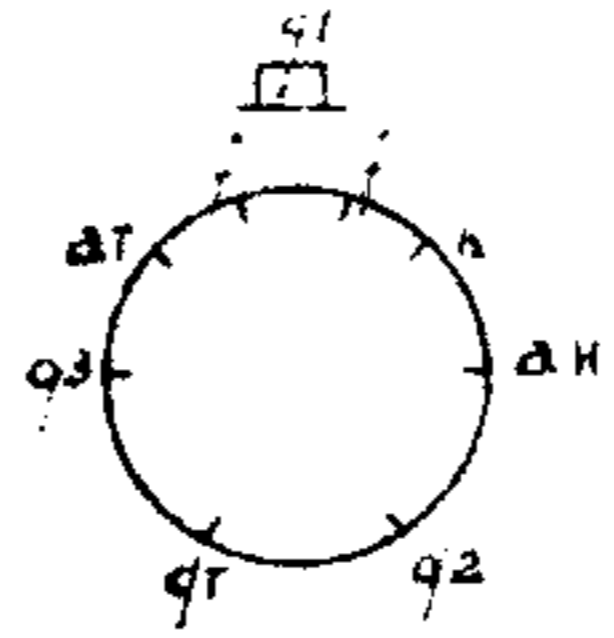
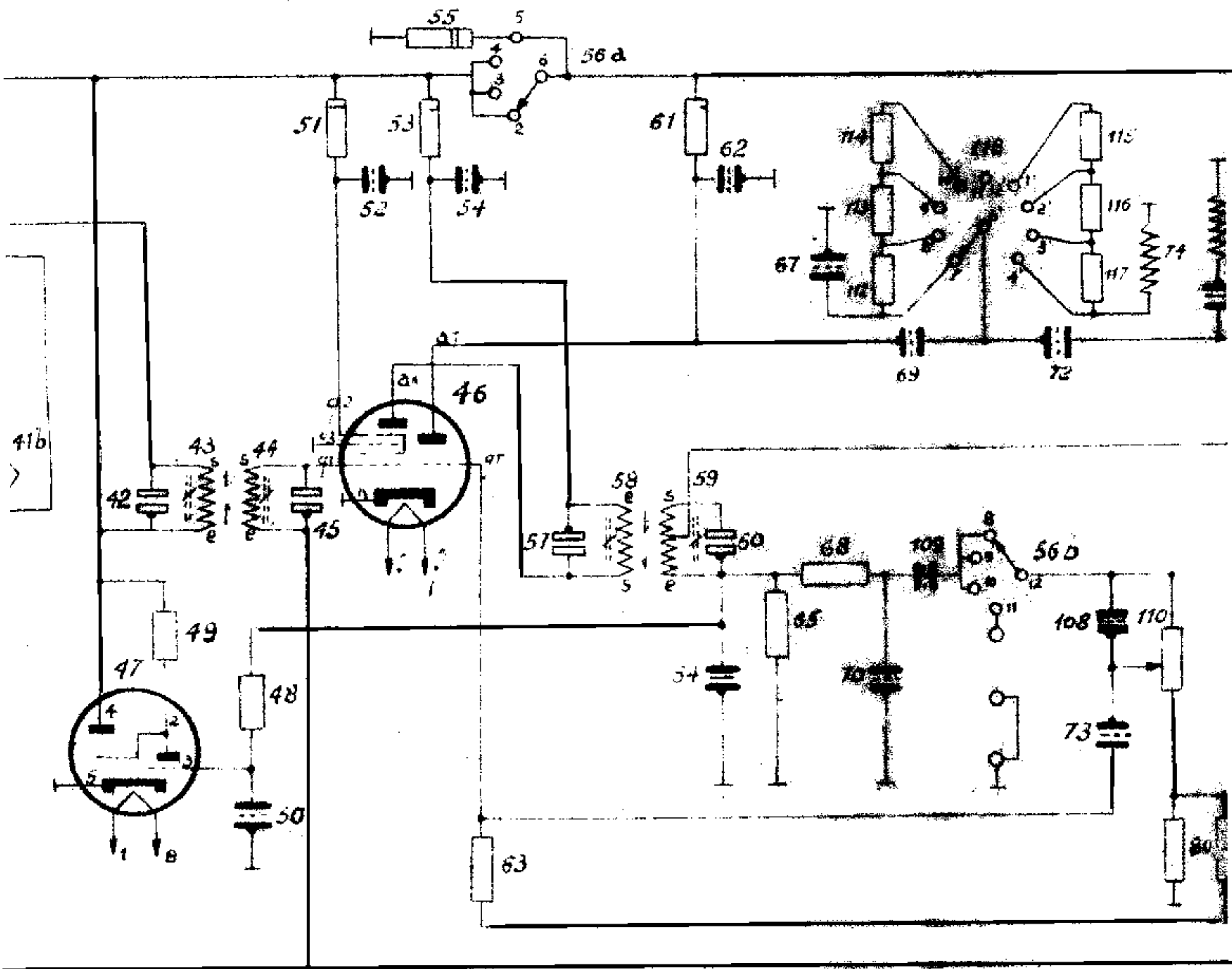


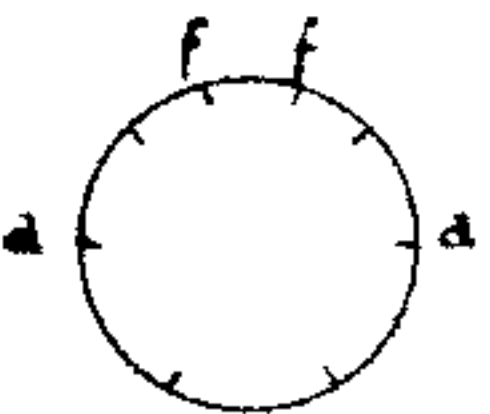
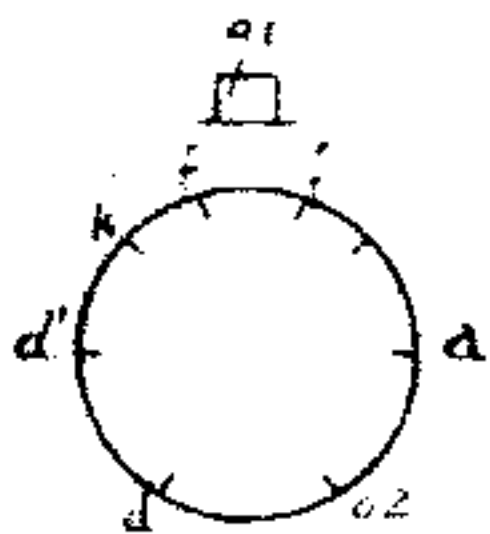
21. 40



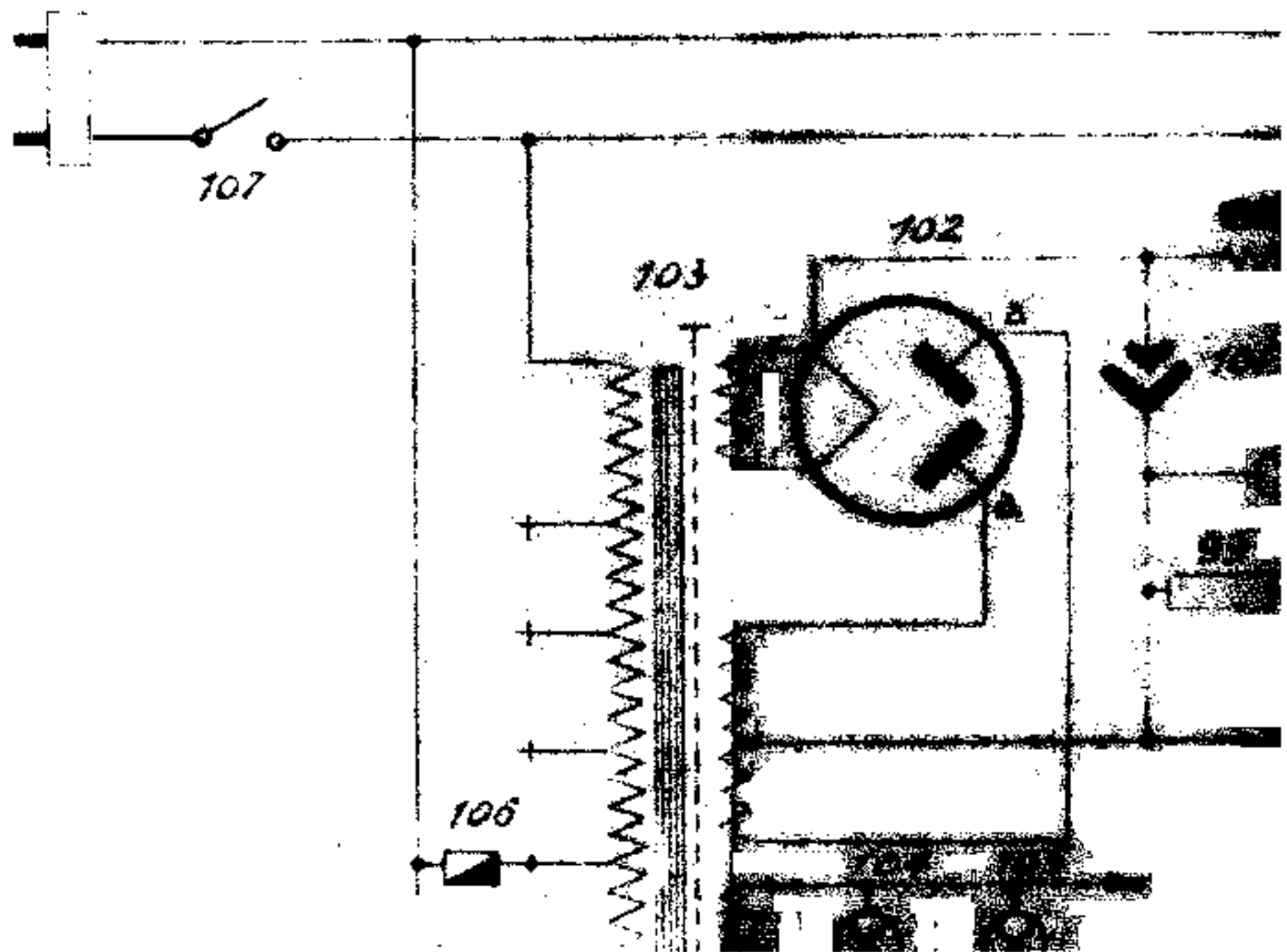
47

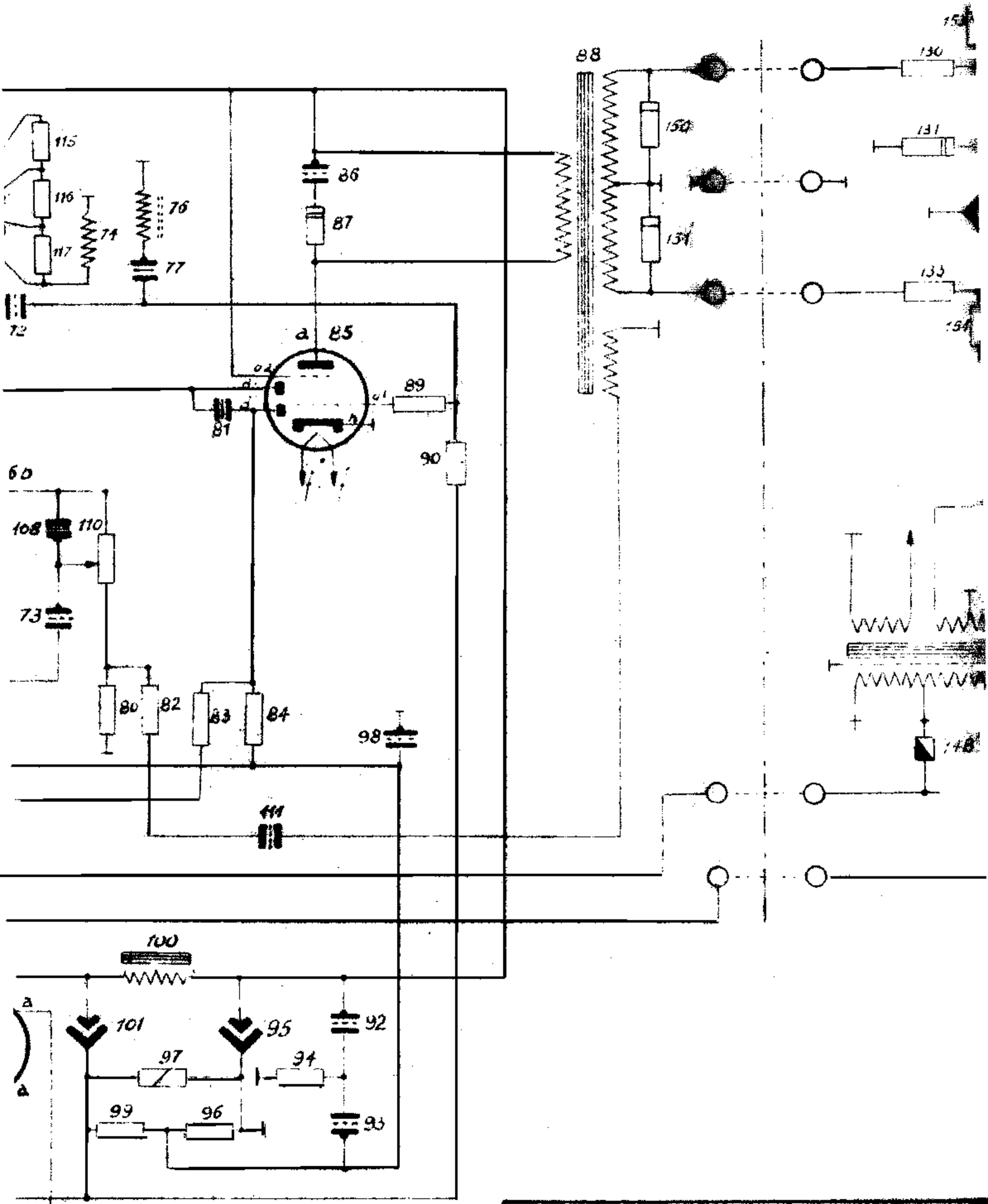


85. 135. 136

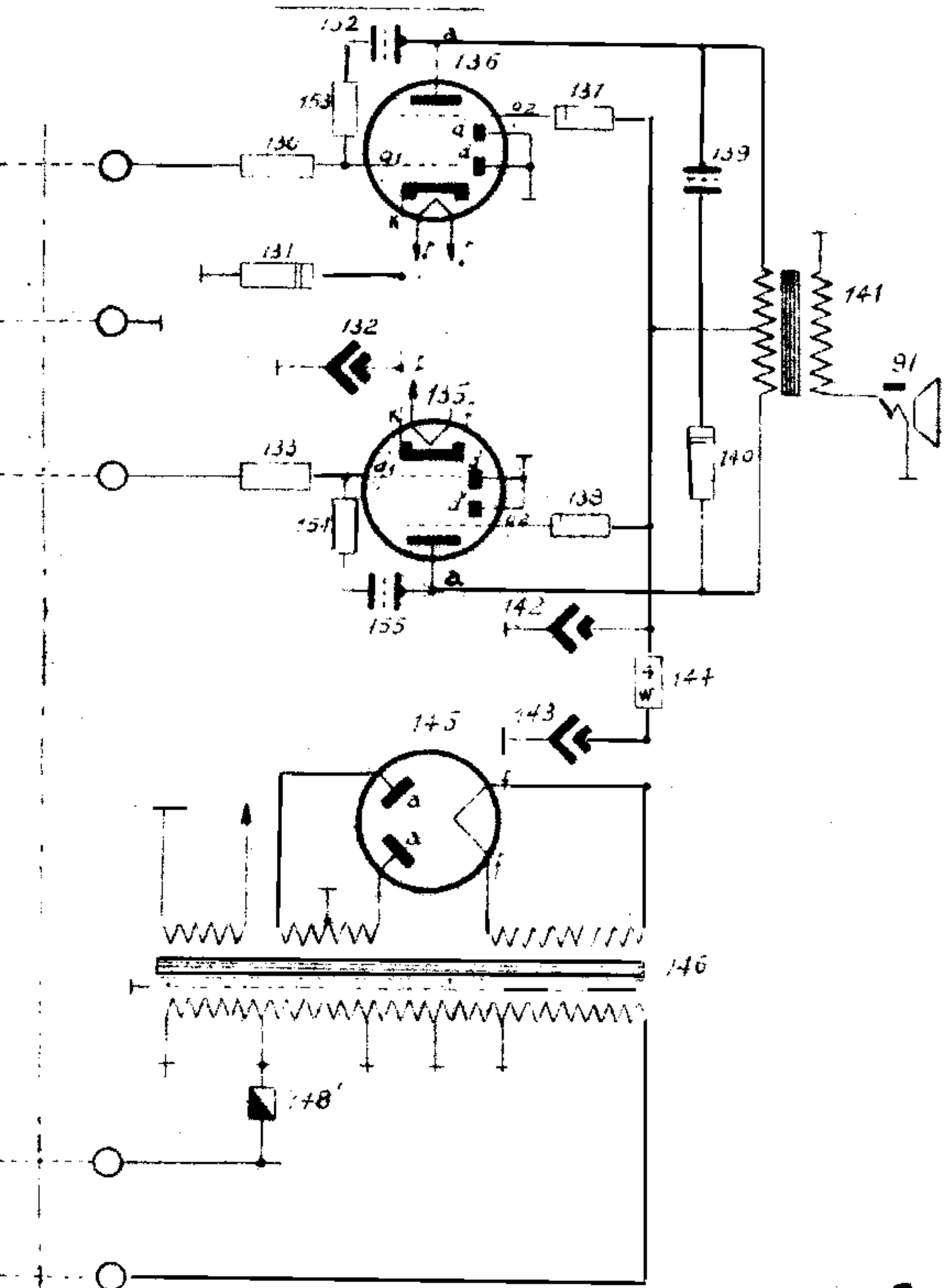


102. 145.





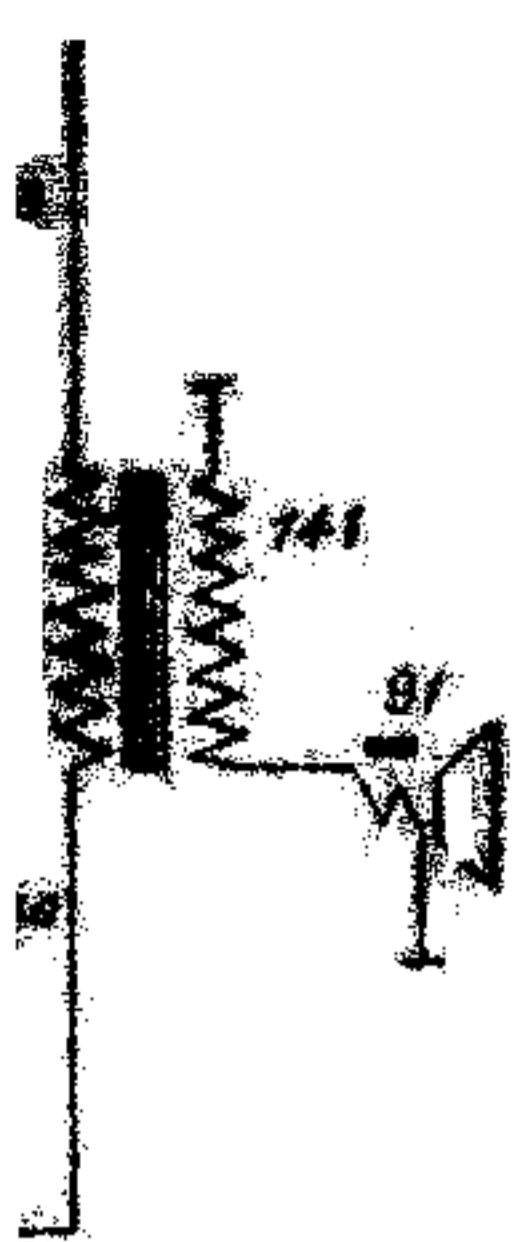
	6a				6B					70			
$\lambda$	12	1	2	3	6	7	8	9	$\lambda$	12	1	2	3
12-51	●				●				12-51	●			



# 4454 A

Met dank aan Marc van de Voorde

		41a				41B				56a				56B.			
B'	9'	12'	2'	3'	6'	7'	8'	9'	λ	2	3	4	5	8	9	10	11
		•			•				19-51	•				•			
		•			•				190-560	•				•			



# 4454 A.

Rep	Designation	Rep	Designation	Power
<u>Misc</u>				
13	2K45	11	M.1	$\frac{1}{4}$ W.
17	"	15	M.22	"
35	335	19	"	"
37	85	27	47K	"
39	220	29	100	"
42	150	48	1M	"
45	"	49	"	"
57	"	53	"	"
60	"	54	"	"
<u>Capacitance Misc</u>				
4	150	54	"	"
28	100	59	10K	"
28	"	60	1M	"
64	150	84	22K	"
77	3K125	95	M.22	"
89	6	98	M.47	"
<u>Electrolytiques</u>				
95	27 M. 350/400V	118	1K5	"
101	27 M	119	8K3	"
132	" 30/40V	119	3K3	"
142	" 350/400V	114	4K7	"
143	"	115	10K	"
<u>Resist</u>				
5	470 500/150V	116	4K7	"
9	3K3	117	2K7	"
40	M.1	119	M.1	"
50	47K	130	27K	"
67	M.1	135	M.47	"
70	220	154	"	"
72	M.1	53	4K7	$\frac{1}{2}$ W.
73	10K	61	M.1	"
93	M.1	137	1K	"
98	M.1	138	1K	"
108	100	22	22K	1W
109	22K	24	27K	"
114	15K	51	47K	"
111	2M. 50/150V.	150	600	"
23	M.1 500/1500V	151	"	"
25	"	87	10K	2W.
32	"	131	75	"
54	10K	140	10K	"
62	220	55	15K	5W.
69	M.1	144	250	4W.
92	20K	<u>Resistance Bobines</u>		
139	10K	97	100	2W.
1	2K2 1000/3000V	<u>Resistances regulables</u>		
86	"	110	1M	$\frac{1}{4}$ W.
152	M.1			
155	"			

568.			
B	9	10	H
●			
	●		
		●	
			●

<u>Lampes</u>			
Rep	Designation	Rep	Designation
21	ECH4	102	AZ1
47	BLU5	135	EBL21 ou EBL1
48	ECH4	136	" " "
85	EBL1	145	AZ1

<u>Legende</u>	
1K.	1000
M.	100.000
1M.	1000.000