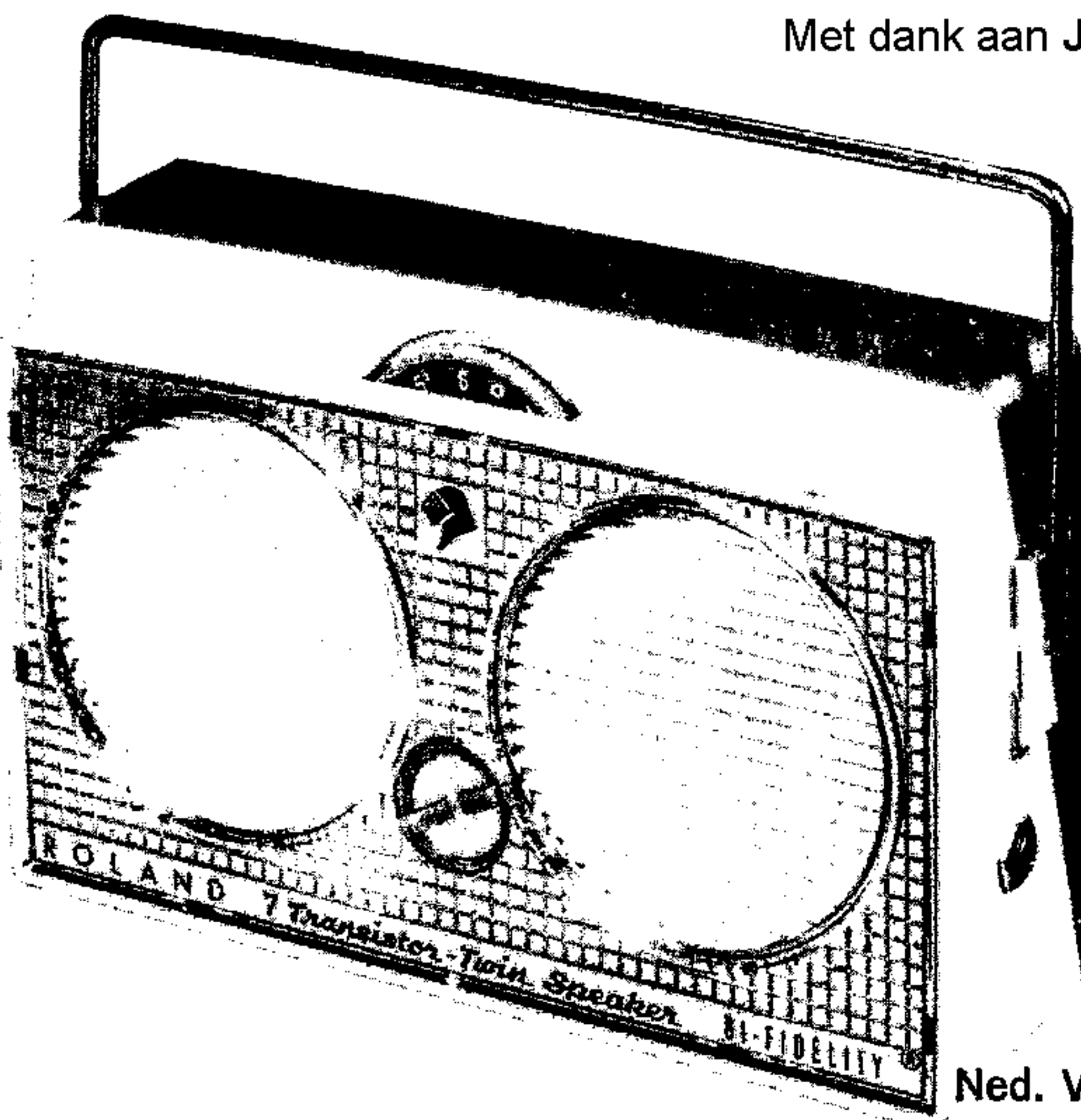




Met dank aan Jef Bos



Ned. Ver. v. Histor

TRADE NAME Roland Model 71-483 (TW6)  
 MANUFACTURER Roland Radio Corp., 12-30 Anderson Ave., Mt. Vernon, N. Y.  
 TYPE SET Battery Operated Portable AM Transistorized Receiver



POWER SUPPLY 9 Volts DC  
 TUNING RANGE—BROADCAST 540-1620KC  
 RATING 8.6MA@9 Volts DC (No Signal, Min. Volume)  
 9.5MA@9 Volts DC (Signal, Normal Volume)

## ALIGNMENT INSTRUCTIONS

### ALIGNMENT INSTRUCTIONS—READ CAREFULLY BEFORE ATTEMPTING ALIGNMENT

Volume control should be at maximum position. Output of signal generator should be no higher than necessary to obtain an output reading. Use an insulated alignment screwdriver for adjusting.

DUMMY ANTENNA	SIGNAL GENERATOR COUPLING	SIGNAL GENERATOR FREQUENCY	RADIO DIAL SETTING	OUTPUT METER	ADJUST	REMARKS
1. .1mfd	High Side To Base Of 2N411 (X1). Low Side To Chassis	455KC (400v Mod)	Tuning Gang Fully Open	Across Voice Coil	A1, A2, A3	Adjust For Maximum Output
2.	Loop	1620KC	"	"	A4	Fashion loop of several turns of wire and radiate signal into loop of receiver. Adjust for maximum output.
3.	"	540KC	Tuning Gang Fully Closed	"	A5	Fashion loop of several turns of wire and radiate signal into loop of receiver. Adjust for maximum output. Repeat Steps 2 & 3
4.	"	1400KC	Tune For 1400KC Signal	"	A6	Fashion loop of several turns of wire and radiate signal into loop of receiver. Adjust for maximum output.

### HOWARD W. SAMS & CO., INC. Indianapolis 6, Indiana

The listing of any available replacement part herein does not constitute in any case a recommendation, warranty or guaranty by Howard W. Sams & Co., Inc., as to the quality and suitability of such replacement part. The numbers of these parts have been compiled from information furnished to Howard W. Sams & Co., Inc., by the manufacturers of H772

the particular type of replacement part listed. Reproduction or use, without express permission, of editorial or pictorial content, in any manner, is prohibited. No patent liability is assumed with respect to the use of the information contained herein. © 1958 Howard W. Sams & Co., Inc., Indianapolis 6, Indiana. Printed in U.S. of America

# PARTS LIST AND DESCRIPTIONS

## TRANSISTORS

ITEM No.	ORIG. TYPE	USE	REPLACEMENT DATA				NOTES
			CBS PART No.	RCA PART No.	RAYTHEON PART No.	SYLVANIA PART No.	
X1	2N411	Converter		2N411	2N486	2N411	PNP
X2	2N409	1st IF Amplifier		2N409	2N483	2N409	PNP
X3	2N409	2nd IF Amplifier		2N409	2N483	2N409	PNP
X4	R-67	Detector			CK879	2N34	PNP
X5	2N405	Driver		2N405	2N362	2N405	PNP
X6	2N306	Output	CBS-2N438			2N306	NPN
X7	2N306	Output	CBS-2N438			2N306	NPN

## ELECTROLYTIC CAPACITORS

ITEM No.	RATING		REPLACEMENT DATA						NOTES
	CAP.	VOLT.	ROLAND PART No.	AEROVOX PART No.	CORNELL-DUBILIER PART No.	MALLORY PART No.	PYRAMID PART No.	SANGAMO PART No.	
C1	40	12		XPP-12040	NL50-10	TT15X40	ML40-15		R2329 *
C2	10	12	581031 ①	XPP-12010	NL10-15	TT12X10	ML10-15		TE-1128
C3	8	12		XPP-12008	NL10-15	TT12X10	ML8-15		TE-1127.3
C4	10	12	581031 ②	XPP-12010	NL10-15	TT12X10	ML10-15		TE-1128

① Some versions may use a 50mfd (Part #581033).

\* Non-catalog item.

② Some versions may use a 5mfd (Part #581034).

## FIXED CAPACITORS

Capacity values given in the rating column are in mfd. for Paper Capacitors, and in mmfd. for Mica and Ceramic Capacitors.

ITEM No.	RATING		REPLACEMENT DATA					NOTES
	CAP.	VOLT	ROLAND PART No.	AEROVOX PART No.	CENTRALAB PART No.	CORNELL-DUBILIER PART No.	MALLORY PART No.	
C5	20000		515040	BPD-02	DD-203	BYB6S2		5HK-S2
C6	20000		515040	BPD-02	DD-203	BYB6S2		5HK-S2
C7	20000		515040	BPD-02	DD-203	BYB6S2		5HK-S2
C8	20000		515040	BPD-02	DD-203	BYB6S2		5HK-S2
C9	20000		515040	BPD-02	DD-203	BYB6S2		5HK-S2
C10	4.7		515010	NPO-D14.7	DTN-4R7	C10V47C	ZT-5547	5TCCB-V47
C11	4.7		515010	NPO-D14.7	DTN-4R7	C10V47C	ZT-5547	5TCCB-V47
C12	20000		515040	BPD-02	DD-203	BYB6S2		5HK-S2
C13	20000		515040	BPD-02	DD-203	BYB6S2		5HK-S2
C14	50000		515039	BPD-05				TG-S50
C15	50000		515039	BPD-05				TG-S50
C16	2000		552025	BPD-002	DD-202	BYA10D2	DC522	5HK-D2
C17	50000		515039	BPD-05				TG-S50

① When C14 is 100000mmf, C15 is not used.

## CONTROLS

ITEM No.	RATING		REPLACEMENT DATA				INSTALLATION NOTES	
	RESISTANCE	WATTS	ROLAND PART No.	CENTRALAB PART No.	CLAROSTAT PART No.	IRC PART No.		MALLORY PART No.
R1	5000Ω	1/2	368028					Volume & Switch

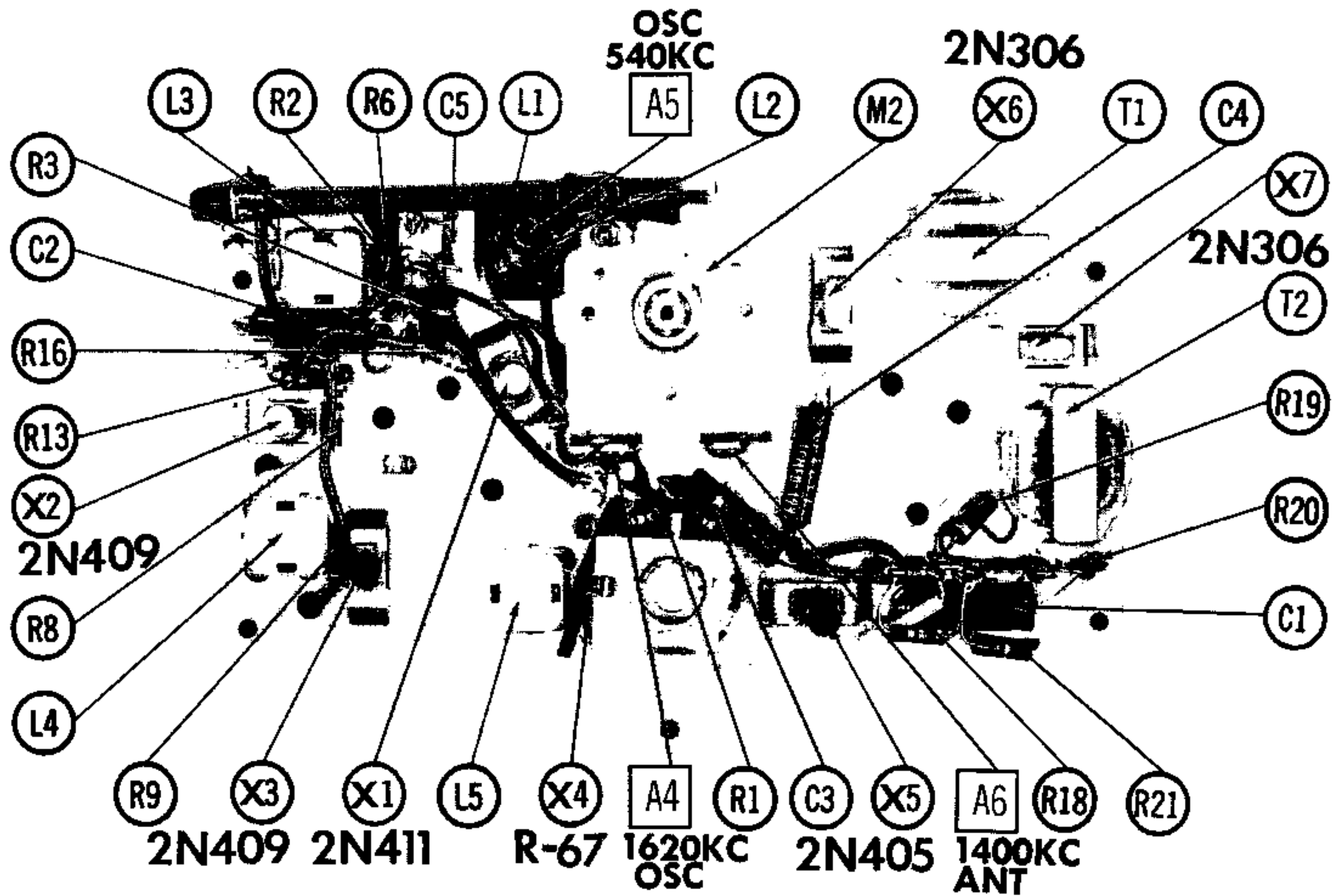
## RESISTORS

All wattages 1/2 watt, or less, unless otherwise listed.

ITEM No.	RATING		ROLAND PART No.	NOTES	ITEM No.	RATING		ROLAND PART No.	NOTES
	OHMS	WATT				OHMS	WATT		
R2	30K			①	R13	100K			
R3	18K				R14	100Ω			
R4	22Ω				R15	1.2meg			
R5	3900Ω				R16	3300Ω			
R6	2200Ω				R17	6800Ω			
R7	330Ω				R18	30K			①
R8	4700Ω				R19	1000Ω			
R9	47K				R20	4700Ω			
R10	22K				R21	100Ω			
R11	2200Ω				R22	12Ω			
R12	2200Ω								

① Some versions use 33K in this application.

**CHASSIS—TOP VIEW**



# PARTS LIST AND DESCRIPTIONS (Continued)

## COILS (RF-IF)

ITEM No.	USE	REPLACEMENT DATA					NOTES
		ROLAND PART No.	Maissner PART No.	Merit PART No.	Miller PART No.	Ram PART No.	
L1	Loopstick	464029					
L2	Osc. Coil	455076					
L3	1st IF	450024	16-9002	BC-321	2041		
L4	2nd IF	450024	16-9002	BC-321	2041		
L5	3rd IF	450025	16-9002	BC-323	2042		

## TRANSFORMER (DRIVER)

ITEM No.	TURNS RATIO		REPLACEMENT DATA					NOTES
	PRI.	SEC.	ROLAND PART No.	Halldorson PART No.	Merit PART No.	Stancor PART No.	Thordarson PART No.	
T1	1.5	: 1	430490					

## TRANSFORMER (AUDIO OUTPUT)

ITEM No.	IMPEDANCE		REPLACEMENT DATA						NOTES
	PRI.	SEC.	ROLAND PART No.	Halldorson PART No.	Merit PART No.	Ram PART No.	Stancor PART No.	Thordarson PART No.	
T2	550Ω CT	1-2Ω	430500						

## SPEAKER

ITEM No.	TYPE			REPLACEMENT DATA		NOTES
	SIZE	FIELD	V. C. IMP.	ROLAND PART No.	QUAM PART No.	
SP1	3"	PM	3-4Ω	409008		
SP2	3"	PM	3-4Ω	409008		

## BATTERIES

ITEM No.	VOLTAGE	ROLAND PART No.	REPLACEMENT DATA						NOTES
			BURGESS		EVEREADY		MALLORY		
			"A"	"B"	"A"	"B"	"A"	"B"	
M1	9V			Z①		915① E9①②		M-15R① ZM9①②	① 6 Used ② Mercury Type

## MISCELLANEOUS

ITEM No.	PART NAME	ROLAND PART No.	NOTES
M2	Tuning Cap.		2 Section (Ant. 7-123mmf, Osc. 7-124mmf)

## CABINETS & CABINET PARTS

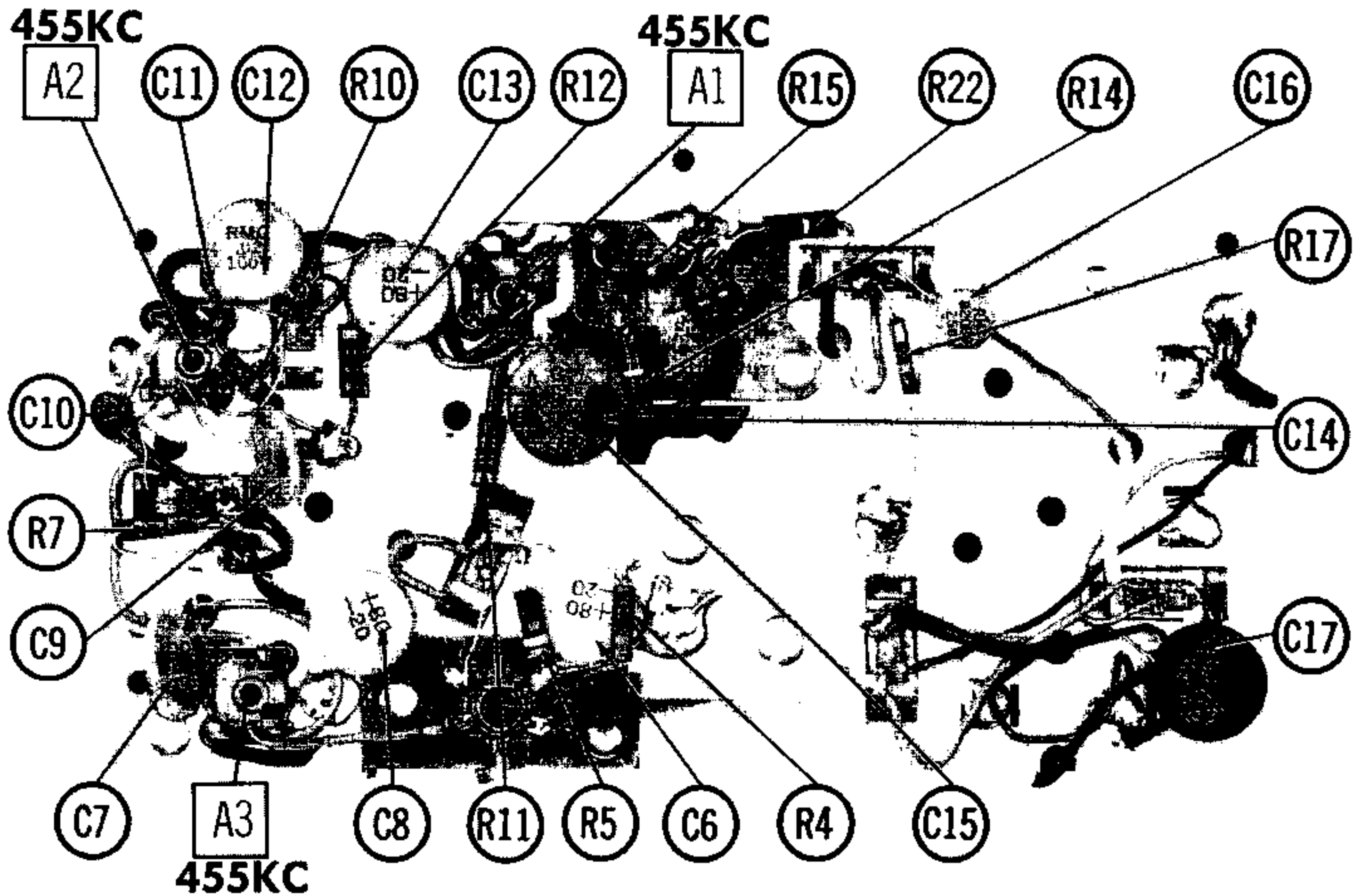
(When Ordering Cabinets & Cabinet Parts, Specify Model, Chassis & Color)

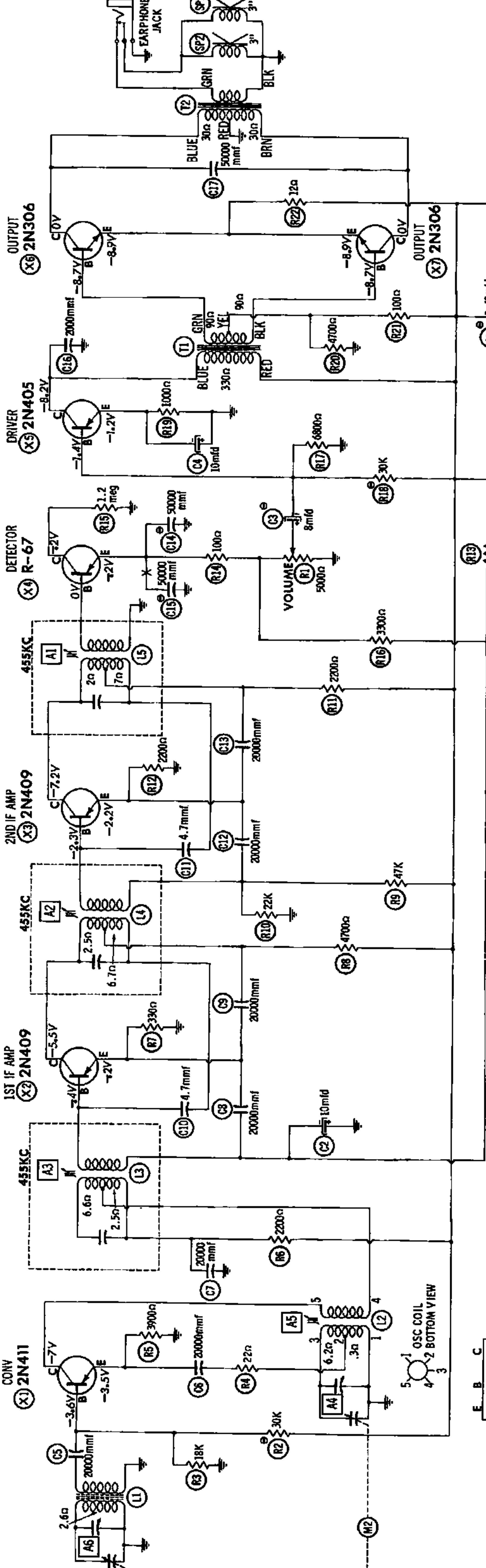
NAME	PART NO.	DESCRIPTION
Knob	272246	Tuning, Red
Knob	272255	Tuning, Charcoal
Knob	272254	Tuning, Turquoise
Knob	272249	On-Off-Volume, Red
Knob	272258	On-Off-Volume, Charcoal
Knob	272257	On-Off-Volume, Turquoise
Cabinet	250261	Front, White
Cabinet	250262	Front, Turquoise
Cabinet	250263	Front, Charcoal
Cover	250259	Cabinet
Handle	760967	

## WIRING DATA

General-use Unshielded Hook-up Wire ..... Use BELDEN No. 8530 (Solid) Available in Ten Colors  
8524 (Stranded) Available in Ten Colors

**CHASSIS—BOTTOM VIEW**





● SEE PARTS LIST FOR ALTERNATE VALUE OR APPLICATION  
 DC COIL RESISTANCE VALUES UNDER ONE OHM NOT SHOWN ON SCHEMATIC DIAGRAM  
 PHOTOFACT STANDARD NOTATION SCHEMATIC  
 © Howard W. Sams & Co., Inc. 1958

RESISTANCE READINGS

ITEM	TYPE	BASE	EMITTER	COLLECTOR
X1	2N411	13K	3900Ω	↑ 2200Ω
X2	2N409	5000Ω	330Ω	14700Ω
X3	2N409	14K	2200Ω	↑ 2200Ω
X4	R-67	.	.	.
X5	2N405	5500Ω	1000Ω	1330Ω
X6	2N306	↑ 190Ω	↑ 12Ω	30Ω
X7	2N306	190Ω	↑ 12Ω	30Ω

1. DC voltage measurements taken with vacuum tube voltmeter.
  2. Socket connections are shown as bottom views.
  3. Measured values are from socket pin to common negative.
  4. Nominal tolerance on component values makes possible a variation of ±15% in voltage and resistance readings.
  5. Volume control at maximum. No signal applied for voltage measurements.
- TRANSISTORS REMOVED FOR RESISTANCE MEASUREMENTS.  
 RESISTANCE MEASURED FROM X4 TERMINALS NOT GIVEN BECAUSE OF THE WIDE VARIATION IN INTERNAL TRANSISTOR RESISTANCE.  
 † MEASURED FROM NEGATIVE TERMINAL OF C1.

