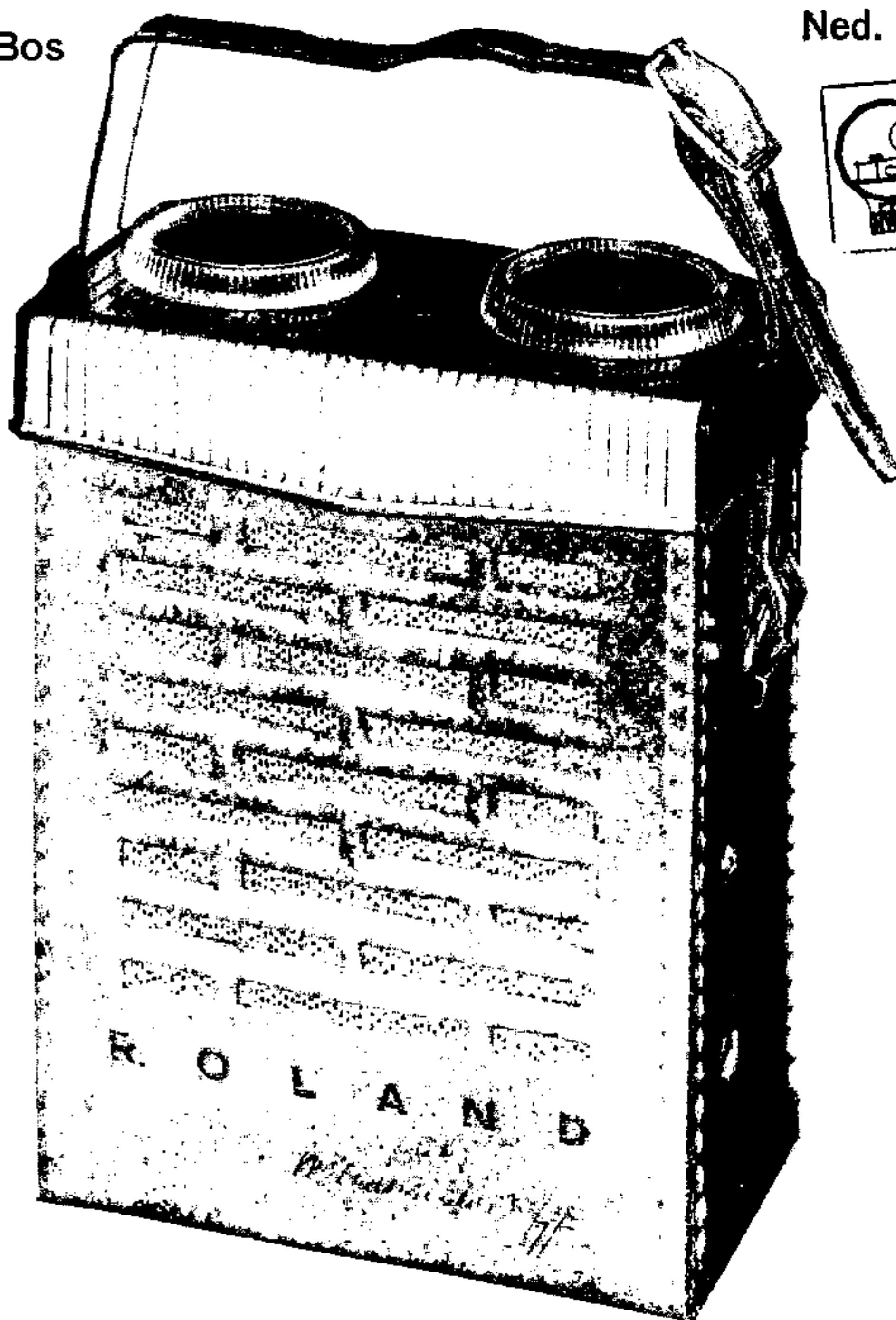




Met dank aan Jef Bos

Ned. Ver. v. Historie



TRADE NAME	Roland Model 6TR		
MANUFACTURER	Roland Radio Corp., 12-30 Anderson Ave., Mt. Vernon, N. Y.		
TYPE SET	Battery Operated Portable AM Transistorized Receiver		
POWER SUPPLY	9 Volts DC	RATING	IIMA @ 9 Volts DC
TUNING RANGE—BROADCAST	540KC-1620KC		

ALIGNMENT INSTRUCTIONS—READ CAREFULLY BEFORE ATTEMPTING ALIGNMENT

Volume control should be at maximum position. Output of signal generator should be no higher than necessary to obtain an output reading. Use an insulated alignment screwdriver for adjusting.

To set pointer, turn tuning capacitor fully closed and set pointer to last reference mark at low frequency end of dial.

	DUMMY ANTENNA	SIGNAL GENERATOR COUPLING	SIGNAL GENERATOR FREQUENCY	RADIO DIAL SETTING	OUTPUT METER	ADJUST	REMARKS
1.	.5MFD	High side to base of GT760 (XI). Low side to chassis.	455KC (400vMod)	Tuning gang fully open	Across voice coil	A1, A2, A3	Adjust for maximum output.
2.	"	"	1620KC	"	"	A4	"
3.		Loop	1400KC	Tune to 1400KC signal	"	A5	Fashion loop of several turns of wire and radiate signal into loop of receiver. Adjust for maximum output.

HOWARD W. SAMS & CO., INC. • Indianapolis 5, Indiana

"The listing of any available replacement part herein does not constitute in any case a recommendation, warranty or guaranty by Howard W. Sams & Co., Inc., as to the quality and suitability of such replacement part. The numbers of these parts have been compiled from information furnished to Howard W. Sams & Co., Inc., by the manufacturers of the particular type of replacement part listed."

"Reproduction or use, without express permission, of editorial or pictorial content, in any manner, is prohibited. No patent liability is assumed with respect to the use of the information contained herein. Copyright 1957 by Howard W. Sams & Co., Inc., Indianapolis 5, Indiana, U. S. of America. Copyright under international Copyright Union. All rights reserved under Inter-American Copyright Union (1910) by Howard W. Sams & Co., Inc." Printed in U. S. of America

PARTS LIST AND DESCRIPTIONS

TRANSISTORS

ITEM No.	USE	TYPE	NOTES
X1	Converter	GT760	
X2	1st. IF Amplifier	GT761	
X3	2nd. IF Amplifier	GT760	

ITEM No.	USE	TYPE	NOTES
X4	AF Amplifier	GT20	
X5	Output	GT20	
X6	Output	GT20	

ELECTROLYTIC CAPACITORS

ITEM No.	RATING		REPLACEMENT DATA						
	CAP.	VOLT.	ROLAND PART No.	AEROVOX PART No.	CORNELL-DUBILIER PART No.	MALLORY PART No.	PYRAMID PART No.	SANGAMO PART No.	SPRAGUE PART No.
C1	10	10		SRE25V10	BBR10-25	TAP25-10	TD-10-25	MMT-0210	TE-1114
C2	2	25		SRE50V2	BBR2-50	TAP100-2	ML2-25		TVA-1201
C3	10	5		SRE25V10	BBR10-25	TAP25-10	TD-10-25	MMT-0210	TE-1087
C4	100	12		SRE12V100	BRH121		TD-100-15		TVA-1180

FIXED CAPACITORS

Capacity values given in the rating column are in mfd. for Paper Capacitors, and in mmfd. for Mica and Ceramic Capacitors.

ITEM No.	RATING		REPLACEMENT DATA							NOTES
	CAP.	VOLT	ROLAND PART No.	AEROVOX PART No.	CENTRALAB PART No.	CORNELL-DUBILIER PART No.	ERIE PART No.	MALLORY PART No.	SPRAGUE PART No.	
C5	10000			BPD-01	DD-103	K082	ED-01	DC511	5HK-S1	Note 1
C6	10000			BPD-01	DD-103	K082	ED-01	DC511	5HK-S1	
C7	10000			BPD-01	DD-103	K082	ED-01	DC511	5HK-S1	
C8A	10000		}	BPD-2X01	DD3-103	DK082	ED-01	DC511	5HK-281	} Note 2
C8B	10000						ED-01	DC511	5HK-281	
C9	4.7			NP0-SI 4.7	TCZ-4R7	TZ07	TCO-4.7	ZT-5547	5TCCB-V47	} Note 2
C10	10000			BPD-01	DD-103	K082	ED-01	DC511	5HK-S1	
C11	10000			BPD-01	DD-103	K082	ED-01	DC511	5HK-S1	
C12	4.7			NP0-SI 4.7	TCZ-4R7	TZ07	TCO-4.7	ZT-5547	5TCCB-V47	
C13	20000			BPD-02	DD-203	K085	ED-02		5HK-S2	
C14	2000			BPD-002	DD-202	K072	ED-002	DC522	5HK-D2	
C15	.047	200		BPD-05	DF-503	CUB2847		GEM-4147	2TM-847	

Note 1. Some versions may use 20000MMF in this application.

Note 2. Some versions may use single units in this application.

CONTROLS

ITEM No.	RATING		REPLACEMENT DATA					INSTALLATION NOTES
	RESISTANCE	WATTS	ROLAND PART No.	CENTRALAB PART No.	CLAROSTAT PART No.	IRC PART No.	MALLORY PART No.	
R1	5000Ω	1/2	36-8008					Volume & Switch

RESISTORS

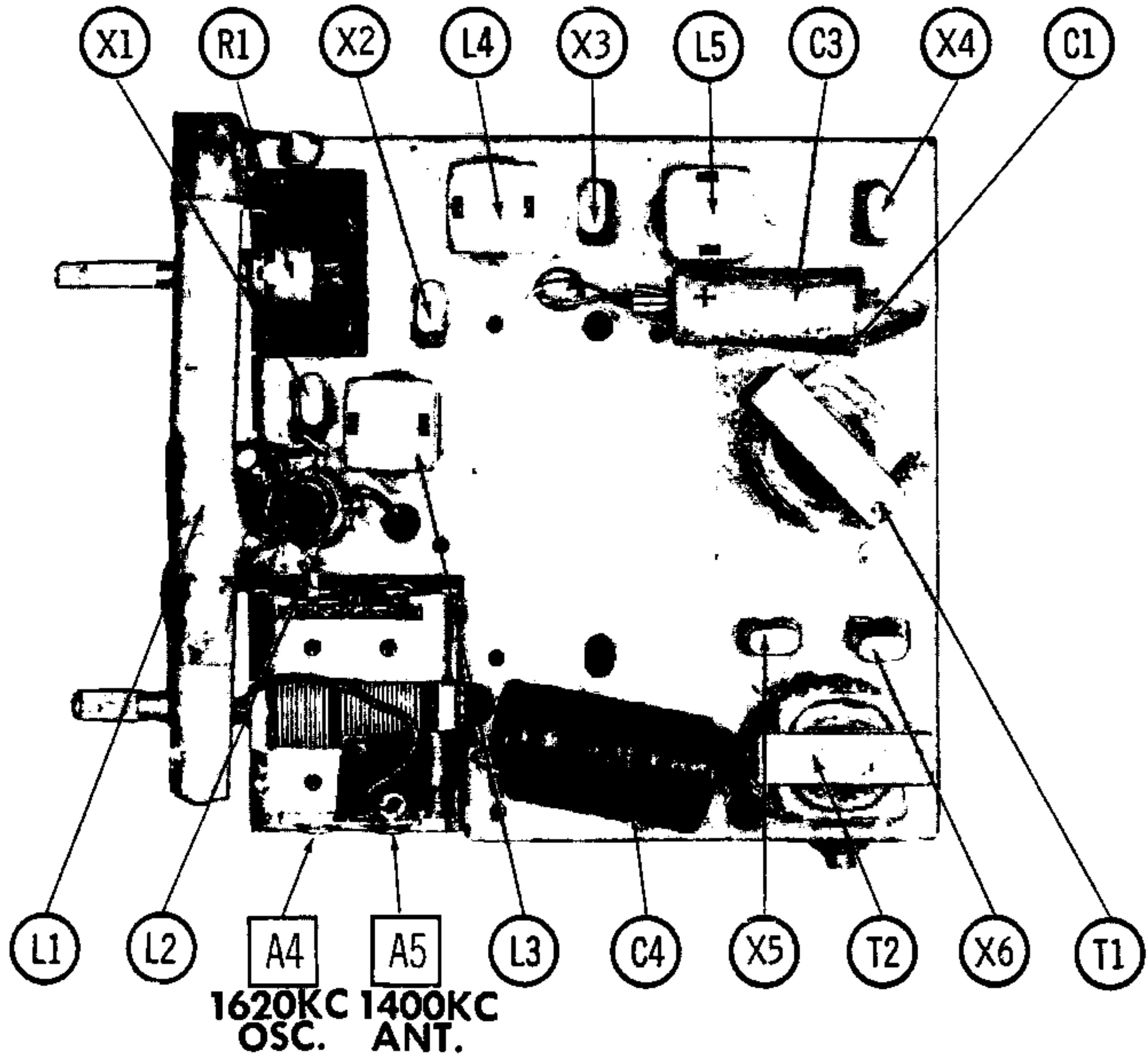
All wattages 1/2 watt, or less, unless otherwise listed.

ITEM No.	RATING		REPLACEMENT DATA		NOTES
	OHMS	WATT	ROLAND PART No.	IRC PART No.	
R2	18K			BTR-18K	
R3	33K 5%			BTR-33K 5%	
R4	3900Ω			BTS-3900	
R5	15Ω			BTS-15	
R6	2200Ω			BTS-2200	
R7	330Ω			BTS-330	
R8	4700Ω 5%			BTS-4700 5%	
R9	47K 5%			BTR-47K 5%	
R10	33K 5%			BTR-33K 5%	
R11	2200Ω			BTR-2200	

ITEM No.	RATING		REPLACEMENT DATA		NOTES
	OHMS	WATT	ROLAND PART No.	IRC PART No.	
R12	2200Ω			BTS-2200	} Note 1
R13	100K			BTS-100K	
R14	3900Ω			BTR-3900	
R15	6800Ω			BTR-6800	
R16	10Ω			BTR-10	
R17	33K 5%			BTR-33K 5%	
R18	1000Ω 5%			BTR-1000 5%	
R19	39K			BTS-39K	
R20	4700Ω 5%			BTS-4700 5%	
R21	100Ω			BTS-100	
R22	12Ω			BTR-12	

Note 1. Not used in some versions.

CHASSIS—TOP VIEW



1620KC OSC. **1400KC ANT.**

PARTS LIST AND DESCRIPTIONS (Continued)

TRANSFORMER (AUDIO INPUT)

ITEM No.	Resistance		REPLACEMENT DATA					NOTES
			ROLAND PART No.	Halldorson PART No.	Merit PART No.	Stancor PART No.	Thordarson PART No.	
T1	PRI. 2550Ω	SEC. 190Ω CT	430270				TR-9	
	Turns Ratio 2½ : 1							

TRANSFORMER (AUDIO OUTPUT)

ITEM No.	IMPEDANCE		REPLACEMENT DATA					NOTES
			ROLAND PART No.	Halldorson PART No.	Merit PART No.	Stancor PART No.	Thordarson PART No.	
T2	PRI. 740Ω	SEC. 3-4Ω	430280				TR-29	

SPEAKER

ITEM No.	TYPE			REPLACEMENT DATA		NOTES
				ROLAND PART No.	QUAM PART No.	
	SIZE	FIELD	V. C. IMP.			
SP1	4"	PM	3-4Ω		4A07①	① Fabricate mounting.

COILS (RF-IF)

ITEM No.	USE	REPLACEMENT DATA				NOTES
		ROLAND PART No.	MEISSNER PART No.	MERIT PART No.	MILLER PART No.	
L1	Loop Stick	LPFE25				
L2	Osc. Coil					
L3	1st. IF Trans.	450018	16-9003		2041	
L4	2nd. IF Trans.	450018	16-9003		2041	
L5	3rd. IF Trans.	450019	16-9002		2042	

BATTERIES

ITEM No.	VOLTAGE	ROLAND PART No.	REPLACEMENT DATA						INSTALLATION NOTES
			EVEREADY			BURGESS			
			"A"	"B"	"A-B"	"A"	"B"	"A-B"	
M1	1½V "A"		915				Z		Connect 6 in series

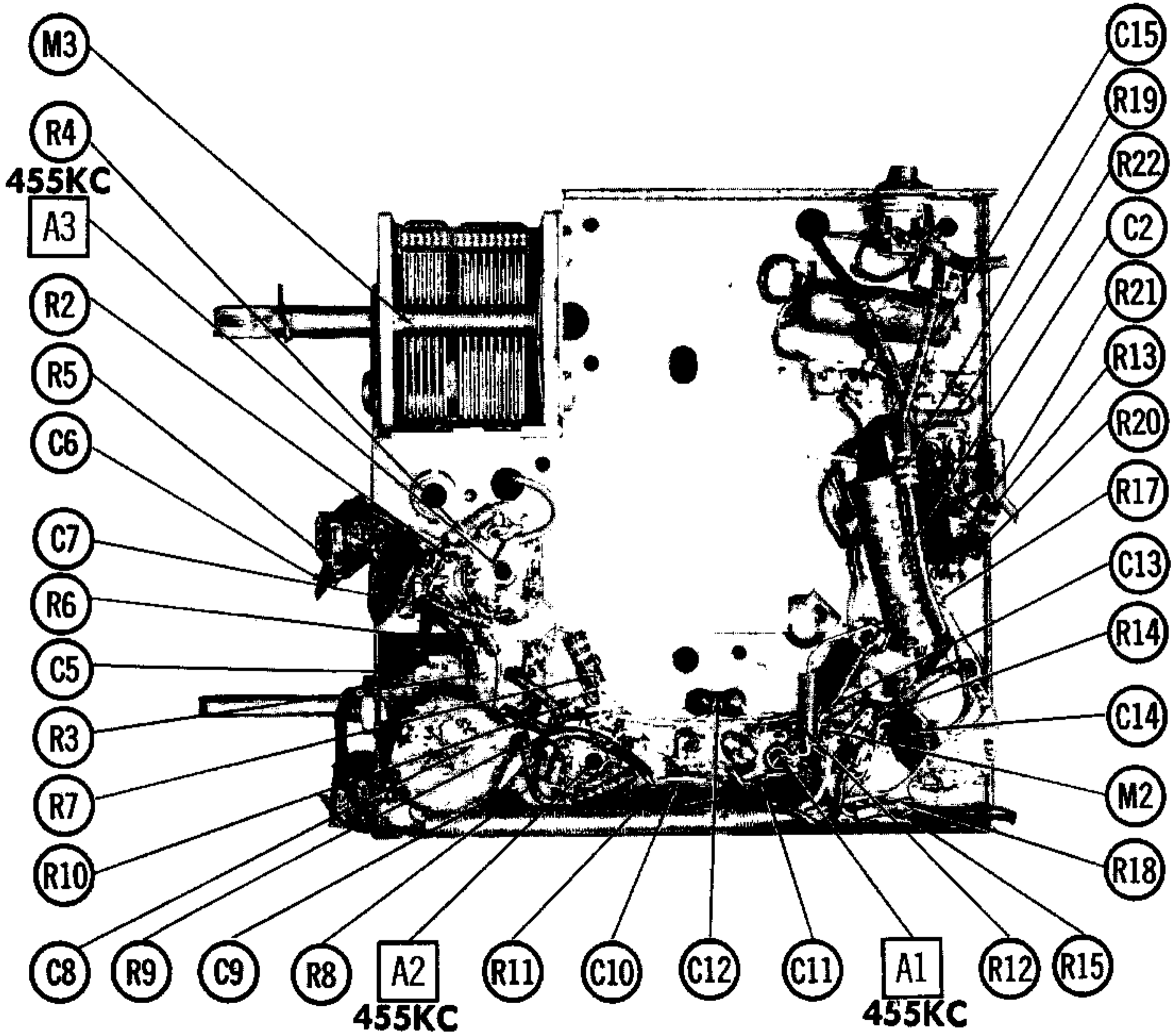
CRYSTAL DIODES

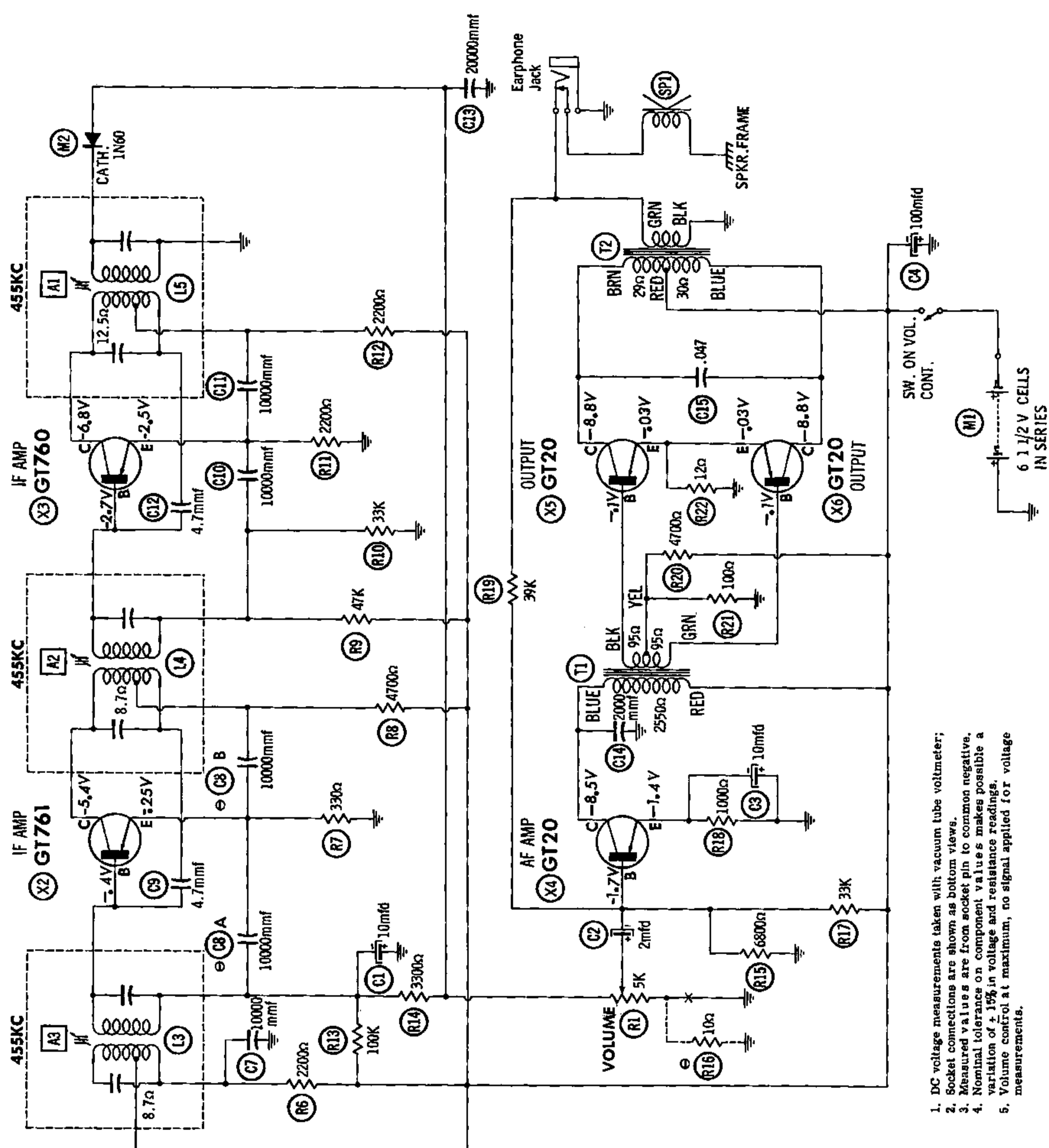
ITEM No.	ORIG. TYPE	REPLACEMENT DATA		NOTES
		ROLAND PART No.	SYLVANIA PART No.	
M2	1N60		1N60	Pigtail (Audio Det.)

MISCELLANEOUS

ITEM No.	PART NAME	ROLAND PART No.	NOTES
M3	Tuning Cap.	CV78	2 Gang (20-220MMF, 20-120MMF)

CHASSIS—BOTTOM VIEW





1. DC voltage measurements taken with vacuum tube voltmeter;
2. Socket connections are shown as bottom views.
3. Measured values are from socket pin to common negative.
4. Nominal tolerance on component values makes possible a variation of $\pm 15\%$ in voltage and resistance readings.
5. Volume control at maximum, no signal applied for voltage measurements.

A PHOTOFACT STANDARD NOTATION SCHEMATIC
 © Howard W. Sams & Co., Inc. 1957

ITEM	TYPE	Base	Emitter	Collector
X1	GT760	2700 Ω	3900 Ω	\dagger 1600 Ω
X2	GT761	1200 Ω	1700 Ω	\dagger 2000 Ω
X3	GT760	2400 Ω	2400 Ω	\dagger 1800 Ω
X4	GT20	1400 Ω	1000 Ω	\dagger 300 Ω
X5	GT20	55 Ω	12 Ω	\dagger 29 Ω
X6	GT20	58 Ω	12 Ω	\dagger 30 Ω

DUAL READINGS INDICATE REVERSAL OF METER LEADS.
 † MEASURED FROM JUNCTION OF C4 AND R20.

SEE PARTS LIST FOR ALTERNATE VALUE OR APPLICATION

DC COIL RESISTANCE VALUES UNDER ONE OHM NOT SHOWN ON SCHEMATIC DIAGRAM.

